

**AMM 700 MAX (\*\*)**

**7 129 ...**

**en** Instruction Manual



**fr** Mode d'emploi



**es** Instrucciones de uso



## For your safety.

**⚠ WARNING** **Read all safety warnings, instructions, illustrations and specifications provided with this power tool.** Failure to follow all instructions listed below may result in electric shock, fire and/or serious injury.  
**Save all warnings and instructions for future reference.**

**👤** Do not use this power tool before you have thoroughly read and completely understood this Instruction Manual, including the figures, specifications, safety regulations and the signs indicating DANGER, WARNING and CAUTION.

Only carry out such operations with this power tool as intended for by FEIN. Only use application tools and accessories that have been released by FEIN.

Please also observe the relevant national industrial safety regulations.

Non-observance of the safety instructions in the said documentation can lead to an electric shock, burns and/or severe injuries.

This Instruction Manual should be kept for later use and enclosed with the power tool, should it be passed on or sold.

**SAVE THESE INSTRUCTIONS.**

The term “power tool” in the warnings refers to your mains-operated (corded) power tool or battery operated (cordless) power tool.

## General Power Tool Safety Warnings.

### 1) Work area safety

- a) **Keep work area clean and well lit.** Cluttered or dark areas invite accidents.
- b) **Do not operate power tools in explosive atmospheres, such as in the presence of flammable liquids, gases or dust.** Power tools create sparks which may ignite the dust or fumes.
- c) **Keep children and bystanders away while operating a power tool.** Distractions can cause you to lose control.

### 2) Electrical safety

- a) **Power tool plugs must match the outlet. Never modify the plug in any way. Do not use any adapter plugs with earthed (grounded) power tools.** Unmodified plugs and matching outlets will reduce risk of electric shock.
- b) **Avoid body contact with earthed or grounded surfaces, such as pipes, radiators, ranges and refrigerators.** There is an increased risk of electric shock if your body is earthed or grounded.
- c) **Do not expose power tools to rain or wet conditions.** Water entering a power tool will increase the risk of electric shock.
- d) **Do not abuse the cord. Never use the cord for carrying, pulling or unplugging the power tool. Keep cord away from heat, oil, sharp edges or moving parts.** Damaged or entangled cords increase the risk of electric shock.
- e) **When operating a power tool outdoors, use an extension cord suitable for outdoor use.** Use of a cord suitable for outdoor use reduces the risk of electric shock.
- f) **If operating a power tool in a damp location is unavoidable, use a residual current device (RCD) protected supply.** Use of an RCD reduces the risk of electric shock.

### 3) Personal safety

- a) **Stay alert, watch what you are doing and use common sense when operating a power tool. Do not use a power tool while you are tired or under the influence of drugs, alcohol or medication.** A moment of inattention while operating power tools may result in serious personal injury.
- b) **Use personal protective equipment. Always wear eye protection.** Protective equipment such as a dust mask, non-skid safety shoes, hard hat or hearing protection used for appropriate conditions will reduce personal injuries.

- c) **Prevent unintentional starting. Ensure the switch is in the off-position before connecting to power source and/or battery pack, picking up or carrying the tool.** Carrying power tools with your finger on the switch or energising power tools that have the switch on invites accidents.
  - d) **Remove any adjusting key or wrench before turning the power tool on.** A wrench or a key left attached to a rotating part of the power tool may result in personal injury.
  - e) **Do not overreach. Keep proper footing and balance at all times.** This enables better control of the power tool in unexpected situations.
  - f) **Dress properly. Do not wear loose clothing or jewellery. Keep your hair and clothing away from moving parts.** Loose clothes, jewellery or long hair can be caught in moving parts.
  - g) **If devices are provided for the connection of dust extraction and collection facilities, ensure these are connected and properly used.** Use of dust collection can reduce dust-related hazards.
  - h) **Do not let familiarity gained from frequent use of tools allow you to become complacent and ignore tool safety principles.** A careless action can cause severe injury within a fraction of a second.
- 4) **Power tool use and care**
- a) **Do not force the power tool. Use the correct power tool for your application.** The correct power tool will do the job better and safer at the rate for which it was designed.
  - b) **Do not use the power tool if the switch does not turn it on and off.** Any power tool that cannot be controlled with the switch is dangerous and must be repaired.
  - c) **Disconnect the plug from the power source and/or remove the battery pack, if detachable, from the power tool before making any adjustments, changing accessories, or storing power tools.** Such preventive safety measures reduce the risk of starting the power tool accidentally.
  - d) **Store idle power tools out of the reach of children and do not allow persons unfamiliar with the power tool or these instructions to operate the power tool.** Power tools are dangerous in the hands of untrained users.
  - e) **Maintain power tools and accessories. Check for misalignment or binding of moving parts, breakage of parts and any other condition that may affect the power tool's operation. If damaged, have the power tool repaired before use.** Many accidents are caused by poorly maintained power tools.
  - f) **Keep cutting tools sharp and clean.** Properly maintained cutting tools with sharp cutting edges are less likely to bind and are easier to control.
  - g) **Use the power tool, accessories and tool bits etc. in accordance with these instructions, taking into account the working conditions and the work to be performed.** Use of the power tool for operations different from those intended could result in a hazardous situation.
  - h) **Keep handles and grasping surfaces dry, clean and free from oil and grease.** Slippery handles and grasping surfaces do not allow for safe handling and control of the tool in unexpected situations.
- 5) **Battery tool use and care**
- a) **Recharge only with the charger specified by the manufacturer.** A charger that is suitable for one type of battery pack may create a risk of fire when used with another battery pack.
  - b) **Use power tools only with specifically designated battery packs.** Use of any other battery packs may create a risk of injury and fire.
  - c) **When battery pack is not in use, keep it away from other metal objects, like paper clips, coins, keys, nails, screws or other small metal objects, that can make a connection from one terminal to another.** Shorting the battery terminals together may cause burns or a fire.

- d) **Under abusive conditions, liquid may be ejected from the battery; avoid contact. If contact accidentally occurs, flush with water. If liquid contacts eyes, additionally seek medical help.** Liquid ejected from the battery may cause irritation or burns.
- e) **Do not use a battery pack or tool that is damaged or modified.** Damaged or modified batteries may exhibit unpredictable behaviour resulting in fire, explosion or risk of injury.
- f) **Do not expose a battery pack or tool to fire or excessive temperature.** Exposure to fire or temperature above 130 °C may cause explosion.
- g) **Follow all charging instructions and do not charge the battery pack or tool outside the temperature range specified in the instructions.** Charging improperly or at temperatures outside the specified range may damage the battery and increase the risk of fire.
- 6) **Service**
- a) **Have your power tool serviced by a qualified repair person using only identical replacement parts.** This will ensure that the safety of the power tool is maintained.
- b) **Never service damaged battery packs.** Service of battery packs should only be performed by the manufacturer or authorized service providers.

## Special safety instructions.

**Hold the power tool by the insulated gripping surface when performing operations where the application tool could contact hidden wires.** Contact with a “live” wire will also make exposed metal parts of the power tool “live” and shock the operator.

**Use clamps or another practical method to secure and support the work piece on a stable surface.** When holding the work piece only by hand or against your body, it remains in an unstable position, which can lead to loss of control.

**Do not use accessories which are not specifically designed and recommended by the power tool manufacturer.** Safe operation is not ensured merely because an accessory fits your power tool.

**Grasp/hold the power tool in such a safe manner that your body never comes in contact with the application tool, particularly when working with application tools pointing toward the gripping area, such as saw blades or cutting tools.** Touching sharp cutting edges or edges can lead to injury.

**Wear personal protective equipment. Depending on application, use a face shield, safety goggles or safety glasses. As appropriate, wear dust mask, hearing protectors, gloves and workshop apron capable of stopping small abrasive or work piece fragments.** The eye protection must be capable of stopping

flyng debris generated by various operations. The dust mask or respirator must be capable of filtering particles generated by your operation. Prolonged exposure to high intensity noise may cause hearing loss.

**Do not direct the power tool against yourself, other persons or animals.** Danger of injury from sharp or hot application tools.

**Do not rivet or screw any name-plates or signs onto the power tool.** If the insulation is damaged, protection against an electric shock will be ineffective. Adhesive labels are recommended.

**Clean the ventilation openings on the power tool at regular intervals using non-metal tools.** The blower of the motor draws dust into the housing. An excessive accumulation of metallic dust can cause an electrical hazard.

**After working gypsum-containing materials: Blow out the ventilation openings of the power tool and the switch element with dry and oil-free compressed air.** Otherwise, gypsum-containing dust can settle in the power tool housing and switch element, which can harden in connection with humidity. This can impair the switching mechanism.

## Use and handling of the battery (battery pack)

To avoid hazardous situations such as burns, fire, explosion, skin injuries, and other injuries when handling the battery, observe the following instructions:

**Batteries must not be disassembled, opened or reduced in size. Do not subject batteries to mechanical impact or shock.** Hazardous vapours and fluid can escape in case of damage and improper use of the battery. The vapours can irritate the respiratory system. Liquid ejected from the battery may cause skin irritations or burns.

**When battery fluid from a damaged battery has come into contact with objects close by, check the respective components, clean them or replace them as required.**

**Keep the battery away from heat and fire. Do not store the battery in direct sunlight.**

## Handling hazardous dusts.

**⚠ WARNING** When working with power tools, such as when grinding, sanding, polishing, sawing or for other work procedures where material is removed, dusts develop that are both hazardous to one's health and can spontaneously combust or be explosive.

Contact with or inhaling some dust types can trigger allergic reactions to the operator or bystanders and/or lead to respiratory infections, cancer, birth defects or other reproductive harm.

Examples of such materials which contain chemicals that can produce hazardous dusts, are:

- Asbestos and materials containing asbestos;
- Lead-containing coatings, some wood types such as beech and oak;
- Minerals and metal;
- Silicate particles from bricks, concrete and other materials containing stone;
- Solvent from solvent-containing paint/varnish;
- Arsenic, chromium and other wood preservatives;
- Materials for pesticide treatment on boat and ship hulls;

**Do not remove the battery from its original packaging until it is going to be used.**

**Before any work on the machine itself, remove the battery from the power tool.** If the power tool accidentally starts, there is danger of injury.

**Remove the battery only when the power tool is switched off.**

**Keep the battery away from children.**

**Keep the battery clean and protect it against moisture and water.** Clean contaminated battery terminals and power tool connections with a dry, clean cloth.

**Use only intact original FEIN batteries that are intended for your power tool.** When working with and charging incorrect, damaged, repaired or reconditioned batteries, imitations or other brands, there is danger of fire and/or explosion.

**Follow the safety warnings in the operating instructions of the battery charger.**

- Stainless steel dust, metal dust and non-ferrous metal dust;

To minimize the unwanted intake of these materials:

- Use dust extraction matched appropriately for the developing dust.
- Use personal protective equipment, such as a P2 filter-class dust protection mask.
- Provide for good ventilation of the workplace.

The risk from inhaling dusts depends on how often these materials are worked. Materials containing asbestos may only be worked on by specialists.

**⚠ CAUTION** Wood and light-metal dust can cause spontaneous combustion or explosions.

Hot mixtures of sanding dust and paint/varnish remainders or other chemical materials in the filter bag or the vac filter can self-ignite under unfavorable conditions, such as sparking from sanding metal, continuous sunlight or high ambient temperatures. To prevent this:

- Avoid overheating the material being sanded and the power tool.
- Empty the dust collector/container in time.

- Observe the material manufacturer's working instructions.
- Observe the relevant regulations in your country for the materials being worked.

### Hand/arm vibrations.

**⚠ WARNING** While working with this power tool, hand/arm vibrations

occur. These can lead to health impairments.

**⚠ WARNING** The vibration emission value during actual use of the power tool can differ from the declared value depending on the ways in which the tool is used.

**⚠ WARNING** It is necessary to identify safety measures to protect the operator that are based on an estimation of exposure in the actual conditions of use.

The vibration emission level given in this information sheet has been measured in accordance with a standardized test given in EN 62841 and may be used to compare one tool with another. It may be used for a preliminary assessment of the vibrational impact.

The declared vibration emission level represents the main applications of the power tool. However, if the power tool is used for other applications with different accessories or poorly maintained, the vibration emission may differ. This may significantly increase the vibrational impact over the total working period.

An estimation of the level of exposure to vibration should also take into account the times when the tool is switched off or when it is running but not actually doing the job. This may significantly reduce the vibrational load over the total working period. Identify additional safety measures to protect the operator from the effects of vibration such as: Maintain the power tool and the accessories, keep the hands warm, organization of work patterns.


### Emission values for sound and vibration (Two-figure – specifications as per ISO 4871)

#### Sound emission

**AMM 700 MAX (\*\*)**

A-weighted emission pressure power level measured at the workplace $L_{pA}$ (re 20 $\mu$ Pa), in decibels	73.8
Measuring uncertainty $K_{pA}$ , in decibels	3.0
Measured A-weighted sound power level $L_{wA}$ (re 1 pW), in decibels	84.8
Measuring uncertainty $K_{wA}$ , in decibels	3.0
C-weighted peak sound pressure level measured at the workplace $L_{pC-peak}$ in decibels	88.5
Measuring uncertainty $K_{pCpeak}$ in decibels	3.0

REMARK: The sum of the measured emission value and respective measuring inaccuracy represents the upper limit of the values that can occur during measuring.

 Wear hearing protection!

Measured values determined in accordance with the corresponding product standard.

<b>Vibration</b>	<i>a</i>
Classification of FEIN application tools according to vibration class	Weighted acceleration*
<i>VC0</i>	< 2.5 m/s <sup>2</sup> < 8 ft/s <sup>2</sup>
<i>VC1</i>	< 5 m/s <sup>2</sup> < 16 ft/s <sup>2</sup>
<i>VC2</i>	< 7 m/s <sup>2</sup> < 23 ft/s <sup>2</sup>
<i>VC3</i>	< 10 m/s <sup>2</sup> < 33 ft/s <sup>2</sup>
<i>VC4</i>	< 15 m/s <sup>2</sup> < 50 ft/s <sup>2</sup>
<i>VC5</i>	> 15 m/s <sup>2</sup> > 50 ft/s <sup>2</sup>
<i>Ka</i>	1.5 m/s <sup>2</sup> 4.92 ft/s <sup>2</sup>
<p>* These values are based on a work cycle consisting of no-load and full-load operation of the same duration. For information on the vibration class assigned to the application tool, please refer to the enclosed data sheet 3 41 30 442 06 0.</p>	



























## Intended use of the power tool:

Hand-guided oscillator for use without water supply in weather-protected environments using the application tools and accessories recommended by FEIN.

- for sawing wood, plastic, glass-fibre reinforced plastics (GFRP, CFK) and for sawing sheet metal (max. 1 mm)
- for removing tile joints and rasping or scraping off tile grout or carpet remainders
- for sanding or rasping of smaller surfaces

## Symbols.

Symbol, character	Explanation
	Observe the instructions in the text or graphic opposite!
	General prohibition sign. This action is prohibited.
	Make sure to read the enclosed documents such as the Instruction Manual and the General Safety Instructions.
 	Do not touch the saw blade. Danger of sharp application tools moving back and forth.
	Warning against sharp edges of application tools, such as the cutting edges of the cutter blades.
	Before commencing this working step, remove the battery from the power tool. Otherwise there may be danger of injury caused by unintentional starting of the power tool.
	Use eye protection during operation.
	Wear hearing protection while working.
	Use a dust mask during operation.
	Use protective gloves during operation.
	Switching on
	Switching off
	Do not charge damaged batteries.
	Observe the notes in the text aside!
	Confirms the conformity of the power tool with the guidelines of the European Community.
	This symbol confirms the certification of this product for the USA and Canada.
	This sign warns of a directly imminent, dangerous situation. A false reaction can cause a severe or fatal injury.

Symbol, character	Explanation
 <b>WARNING</b>	This sign indicates a possible dangerous situation that could cause severe or fatal injury.
 <b>CAUTION</b>	This sign warns of a possible dangerous situation that could cause injury.
 Li-Ion	Recycling code: identifies recyclable materials
	Worn out power tools and other electrotechnical and electrical products should be sorted separately for environmentally-friendly recycling.
	Low oscillation rate
	High oscillation rate
**	may contain numbers and letters
(Ax – Zx)	Marking for internal purposes

Character	Unit of measurement, national	Explanation
$n_0$	rpm; /min; $\text{min}^{-1}$ ; r/min	Rated oscillation rate
$P$	W	Electrical power
	°	Oscillation angle
$U$	V	Electric voltage
$f$	Hz	Frequency
$I$	A	Electric current intensity
$m$	lbs	Mass
$l$	ft, in	Length, width, height, depth, diameter or thread
$\emptyset$	ft, in	Diameter of a round part
$K...$		Uncertainty
$a$	$\text{m/s}^2$	Vibrational emission value according to EN 62841 (vector sum of three directions)
	m, s, kg, A, mm, V, W, Hz, N, °C, dB, min, $\text{m/s}^2$	Basic and derived units of measurement from the international system of units <b>SI</b> .

## Technical description and specifications.

**⚠ WARNING** Before mounting or replacing application tools or accessories, remove the battery. This preventive safety measure rules out the danger of injuries through accidental starting of the power tool.

Not all accessories described or shown in this instruction manual will be included with your power tool.

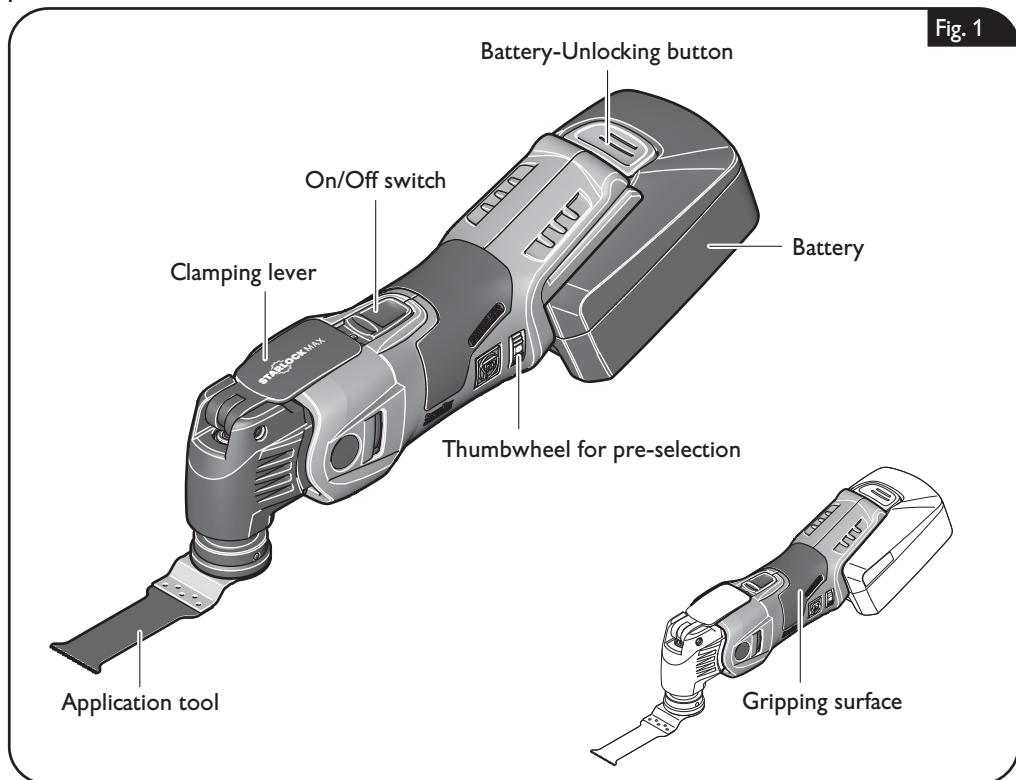




Fig. 1

<b>Type</b>	<b>AMM 700 MAX (**)</b>
Order number	7 129 ...
Rated oscillation rate	10000 – 19500 /min
Amplitude	2 x 2.0°
Weight according to EPTA-Procedure 01	2.4 lbs (1.1 kg)

<b>Type</b>	<b>B18A</b>	<b>B18A</b>
		
Battery type	Lithium ion (Li ion)	Lithium ion (Li ion)
Rated voltage	18 V <sub>---</sub>	18 V <sub>---</sub>
Weight according to EPTA-Procedure 01 (Battery)	1.0 lbs (0.45 kg)	1.5 lbs (0.70 kg)
Battery charger	ALG 30, ALG 50, ALG 80 (**)	

## Assembly instructions.

**⚠ WARNING** Before mounting or replacing application tools or accessories, remove the battery. This preventive safety measure rules out the danger of injuries through accidental starting of the power tool.

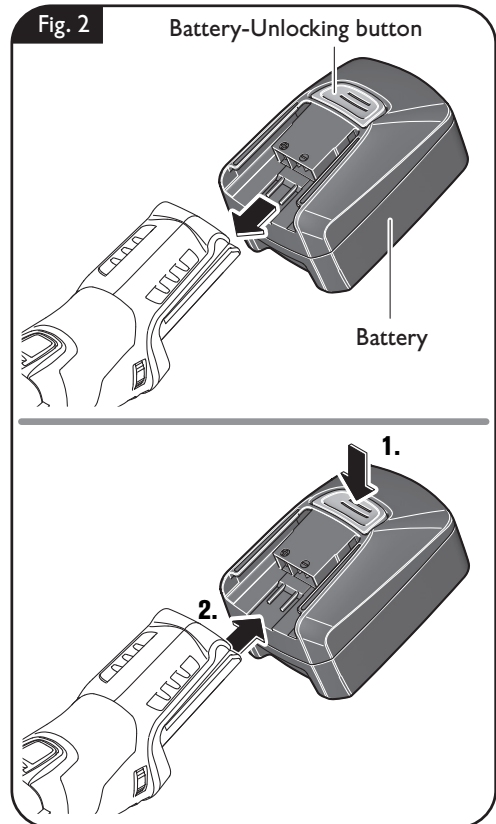
### Removing and charging the battery (figure 2).

❗ Prior to the first charging procedure, read the operating instructions of the battery charger.

❗ Charge the battery completely before putting into operation for the first time. Release the battery by pressing the battery-unlocking button and pull the battery out of the handle. Do not exert any force when doing this.

Connect the battery charger to a socket outlet, slide the battery onto the battery charger and charge the battery. After the charging process is over, insert the battery into the power tool and pull the plug of the battery charger out of the socket outlet.

A new battery does not reach its full capacity until after several charging and discharging procedures.



## Handling the battery.

Store, operate and charge the battery only using FEIN battery chargers within the operating-temperature range between 5°C – 45°C (41°F – 113°F). At the beginning of the charging procedure, the battery temperature must be within the battery operating-temperature range.

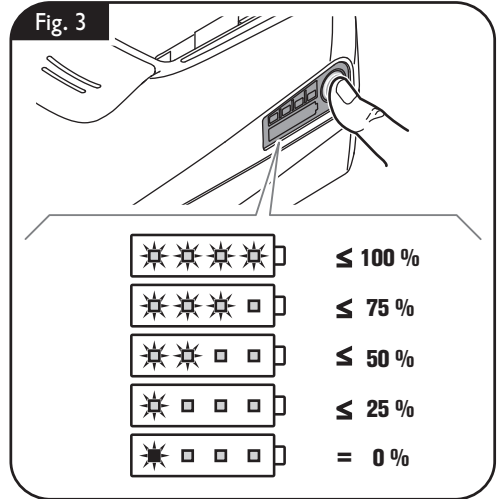
## Battery charge-control indicator (figure 3).

Press the button to activate the LED indication.

LED indicator	Meaning	Activity
1 – 4 green LED	Percentage of charge condition	Operation
Continuous red light	Battery is almost empty	Charge battery
Red flashing light	Battery is not ready for operation	Bring the battery into the battery operating-temperature range, then charge

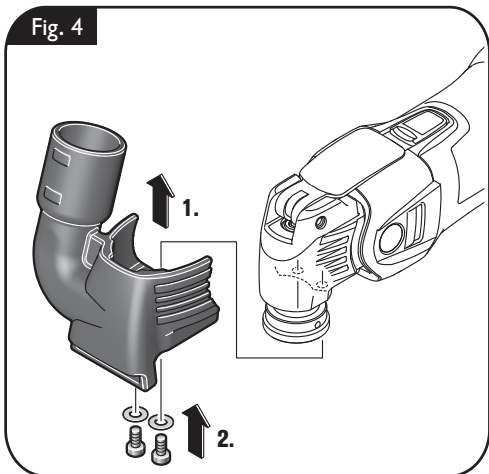
The real percentage of the battery charge condition is only indicated when the power tool motor is stopped.

The electronics automatically switch off the motor prior to the battery being deep discharged.



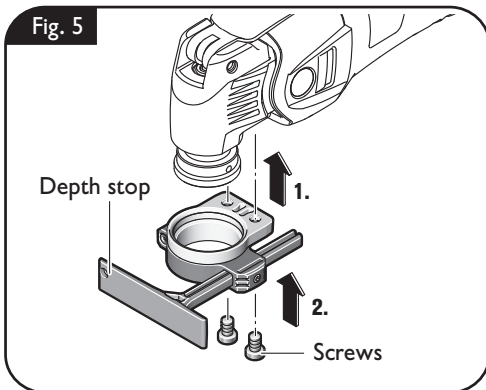
**Dust extraction (For repairing tile/grouting joints) (figure 4).**

Mount the dust extraction.  
Connect a vacuum cleaner.



**Mounting the depth stop (figure 5).**

Mount the depth stop with the 2 screws to the bottom side of the gear case.

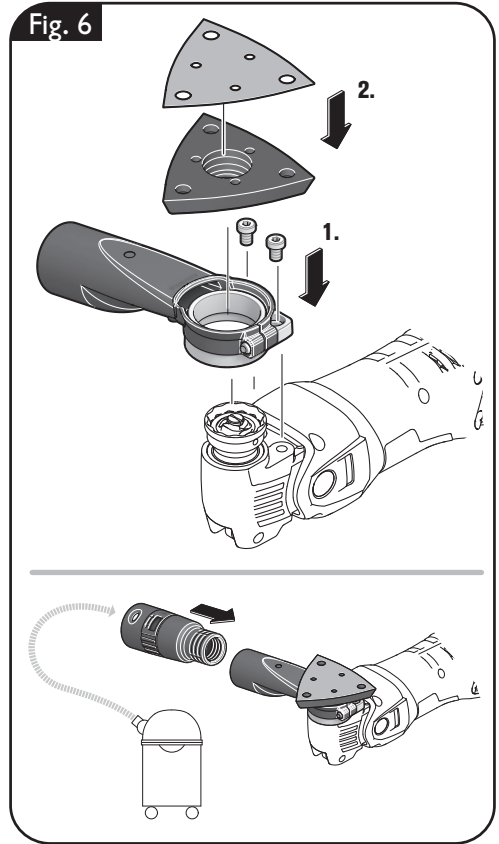


**Dust extraction (figure 6).**

Mount the dust extraction.

Afterwards, mount the desired sanding sheet.

Connect a vacuum cleaner.





## Assembly instructions.

**⚠ WARNING** Before mounting or replacing application tools or accessories, remove the battery. This preventive safety measure rules out the danger of injuries through accidental starting of the power tool.

**⚠ CAUTION** For all work or when changing application tools, always wear protective gloves. Danger of injury from the sharp edges of the application tools. Application tools can become very hot while working. Danger of burns!

### Changing the tool.

**⚠ CAUTION** Do not switch the power tool on while the clamping lever is open. Otherwise there is danger of crushes or contusions to the hand and fingers.

**⚠ CAUTION** Do not actuate the clamping lever while the power tool is running. Otherwise there is danger of injury.

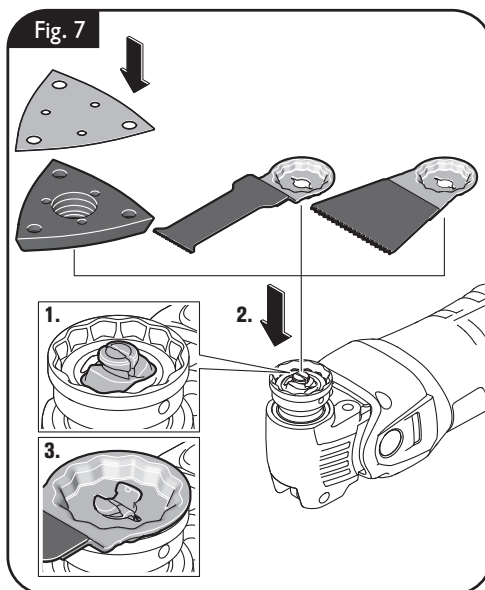
**⚠ CAUTION** Do not reach into the area of the clamping jaws. Otherwise there is danger of crushes or contusions to the fingers.

**⚠ CAUTION** Do not operate the power tool with open clamping jaws and without an application tool! This could damage the power tool.

**⚠ CAUTION** When the clamping jaws are open before the application tool is inserted, pivot the clamping lever toward the front and then back again. The clamping jaws are closed now. The application tool can be inserted.

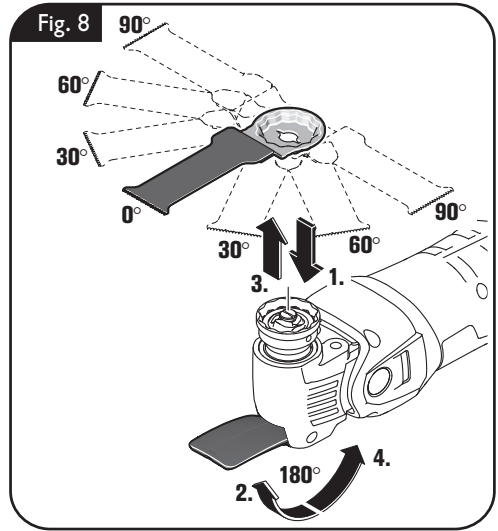
### Inserting the application tool (figure 7).

Clean the tool holder and the application tool. In the starting position, the clamping jaws in the tool holder are together. In this position, the application tool can be clipped-in easily.



### Positioning the tool (figure 8).

The application tool can be offset in 30° steps and fastened in the most favorable working position.



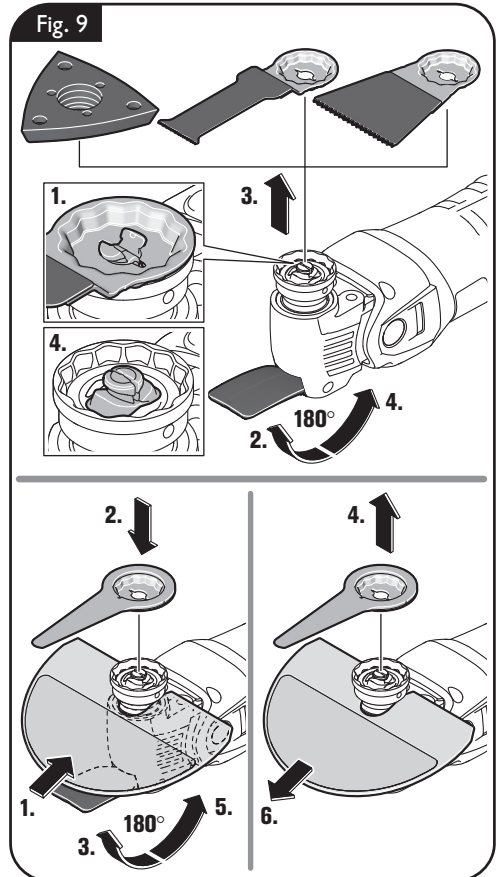
### Ejecting the application tool (figure 9).

To eject the application tool and have the starting position set, move the clamping lever back to the stop; in this, the application tool is also released.

Pay attention that the application tool is seated straightly the tool holder.

**CAUTION** When changing application tools with sharp cutting edges, use cover 3 21 74 011 00 0 to protect yourself against hand/arm injuries.

**For all work or when changing application tools, always wear protective gloves.** Danger of injury from the sharp edges of the application tools. Application tools can become very hot while working. Danger of burns!



## Working instructions.

**⚠ WARNING** Before mounting or replacing application tools or accessories, remove the battery. This preventive safety measure rules out the danger of injuries through accidental starting of the power tool.

**Do not use accessories not specifically intended and recommended for this power tool by FEIN.** The use of non-original FEIN accessories can lead to overheating of the power tool and destroy it.

**⚠ CAUTION** For each job, use only the FEIN application tool released and intended for the respective application.

### Switching on and off (figure 10).

**⚠ CAUTION** Always hold the power tool firmly. Otherwise, you could lose control over the power tool.

The self-start prevention lock prevents the power tool from automatically starting when the battery is inserted while the on/off switch is set to on.

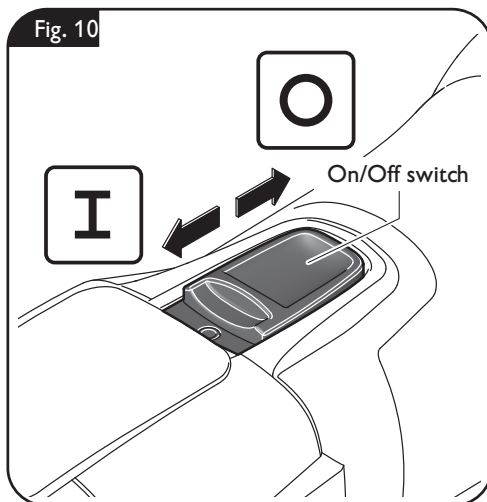
**👉 Guide the power tool toward the work piece only when switched on.**

#### Switching on:

Push the switch toward the front (I).

#### Switching off:

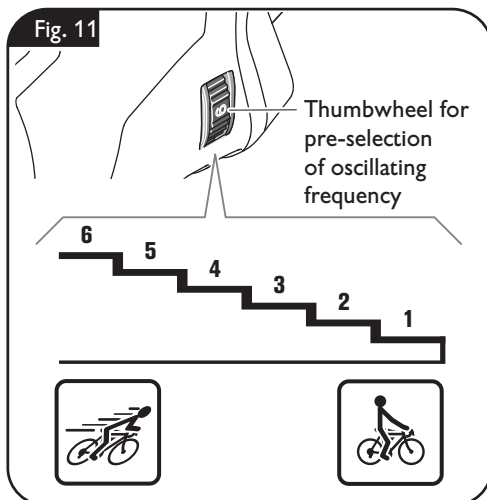
Push the switch toward the rear (O).



### Setting the oscillating frequency (figure 11).

Adjust the oscillating frequency infinitely variable with the dial control.

Turn the dial control between "1" for the lowest speed and "6" for the highest speed.



**Notes on sanding.**

Press the power tool with the sanding sheet briefly and firmly against a flat surface and briefly switch the power tool on. This provides for good adhesion and prevents premature wear.

When only one tip or corner of the sanding sheet is worn, it can be removed again and reattached, turned by 120°.

Work with the entire surface of the sanding plate, not only with the tip.

When sanding with small triangle sanding plates, select a high oscillating frequency (electronics level 4 – 6); when sanding with the round sanding plate and the large triangle sanding plate, select a moderate oscillating frequency (max. electronics level 4).

Sand with continuous motion applying moderate pressure. Applying excessive pressure does not increase the rate of removal, it only wears off the sanding sheet faster.

**Notes on sawing.**

Select a high oscillating frequency. Round saw blades can be released and clamped offset again, to allow for uniform wearing off.

For very high application force, the speed is automatically lowered to a complete stop and increased again when released.

**Notes on scraping.**

Select a moderate to high oscillating frequency.

---

## Repair and customer service.

---

**⚠ WARNING** Before mounting or replacing application tools or accessories, remove the battery. This preventive safety measure rules out the danger of injuries through accidental starting of the power tool.

### Exchangeable parts

If required, you can change the following parts yourself:

Application tools

### Service.

**⚠ WARNING** Have maintenance carried out only through qualified personnel. Incorrectly mounted leads and components can cause serious injuries. Have the required service carried out only through a FEIN customer service agent.

Products that have come into contact with asbestos may not be sent in for repair. Dispose of products contaminated with asbestos according to the applicable country-specific regulations for such disposal.

The current spare parts list for this power tool can be found in the Internet at [www.fein.com](http://www.fein.com).

Use only original spare parts.

### Cleaning.

**⚠ WARNING** Remove the battery prior to any maintenance and cleaning. This preventive safety measure rules out the danger of injuries through accidental starting of the power tool.

**⚠ WARNING** When using in environments with conductive dust in the air, such as when working metals, this dust can settle in the interior of the power tool. Therefore, regularly blow out the interior of the power tool from outside via the ventilation openings with dry, oil-free compressed air; always wear eye protection when doing this.

**⚠ CAUTION** Do not attempt to clean clogged or dirty ventilation openings of the power tool with pointed metal objects; use nonmetal tools or objects if necessary.

**⚠ CAUTION** Do not use cleaning agents and solvents that can cause damage to plastic parts. These include: Gasoline, carbon-tetrachloride, chloric solvents, ammonia and domestic cleaning agents that contain ammonia.

When working gypsum-containing materials, dust can settle within the power tool and switch element, which can harden in connection with humidity. This can impair the switching mechanism. Blow out the interior of the power tool via the ventilation slots and the switch element frequently with dry and oil-free compressed air.

---

## Warranty and liability.

---

The warranty for the product is valid in accordance with the legal regulations in the country where it is marketed. In addition, FEIN also provides a guarantee in accordance with the FEIN manufacturer's warranty declaration.

Not all accessories described or shown in this instruction manual will be included with your power tool.

## Environmental protection, disposal.

Packaging, worn out power tools and accessories should be sorted for environmental-friendly recycling.

Dispose of batteries only when discharged.

For batteries that are not completely discharged, insulate the terminals with tape as a protective measure against short-circuiting.

For further information, please contact your specialist shop.

## Transport

The contained lithium-ion batteries are subject to the Dangerous Goods Legislation requirements. The user can transport the batteries by road without further requirements.

When being transported by third parties (e.g.: air transport or forwarding agency), special requirements on packaging and labelling must be observed. For preparation of the item being shipped, consulting an expert for hazardous material is required.

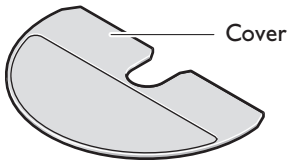
Dispatch batteries only when the housing is undamaged and no liquid is escaping from the battery. Make sure that the battery contacts are not short-circuited. Use the original packaging.

Pack up the battery in such a manner that it cannot move around in the packaging.

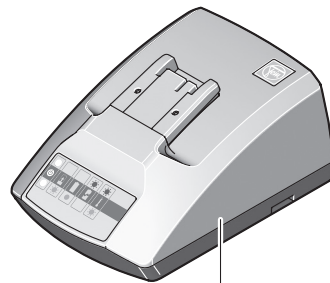
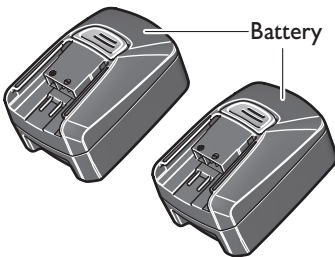
Please also observe possibly more detailed national regulations.

## Accessories (figure 12).

Fig. 12



3 21 74 011 00 0




Battery charger

## Pour votre sécurité.

**⚠ AVERTISSEMENT Lire tous les avertissements de sécurité, les instructions, les illustrations et les spécifications fournis avec cet outil électrique.** Ne pas suivre les instructions énumérées ci-dessous peut provoquer un choc électrique, un incendie et/ou une blessure sérieuse.

**Conserver tous les avertissements et toutes les instructions pour pouvoir s'y reporter ultérieurement.**

 Ne pas utiliser cet outil électrique avant d'avoir soigneusement lu et parfaitement compris cette notice d'utilisation y compris les figures, les spécifications, les consignes de sécurité ainsi que les indications marquées par DANGER, AVERTISSEMENT et ATTENTION.

N'utiliser cet outil électrique que pour les travaux pour lesquels il a été conçu par FEIN. N'utiliser que des outils de travail et accessoires autorisés par FEIN.

De même, respectez les dispositions concernant la prévention des accidents du travail en vigueur dans le pays en question.

Le non-respect des instructions de sécurité se trouvant dans la documentation mentionnée peut entraîner un choc électrique, un incendie et/ou de graves blessures.

Bien garder cette notice d'utilisation en vue d'une utilisation ultérieure ; elle doit être jointe à l'appareil en cas de transmission ou de vente à une tierce personne.

**GARDER SOIGNEUSEMENT CES INSTRUCTIONS DE SECURITE.**

Le terme « outil électrique » dans les consignes de sécurité fait référence à votre outil électrique alimenté par le secteur (avec cordon d'alimentation) ou votre outil fonctionnant sur batterie (sans cordon d'alimentation).

## Instructions générales de sécurité.

### 1) Sécurité de la zone de travail

**a) Conserver la zone de travail propre et bien éclairée.** Les zones en désordre ou sombres sont propices aux accidents.

**b) Ne pas faire fonctionner les outils électriques en atmosphère explosive, par exemple en présence de liquides inflammables, de gaz ou de poussières.** Les outils électriques produisent des étincelles qui peuvent enflammer les poussières ou les fumées.

**c) Maintenir les enfants et les personnes présentes à l'écart pendant l'utilisation de l'outil électrique.** Les distractions peuvent vous faire perdre le contrôle de l'outil.

### 2) Sécurité électrique

**a) Il faut que les fiches de l'outil électrique soient adaptées au socle. Ne jamais modifier la fiche de quelque façon que ce soit. Ne pas utiliser d'adaptateurs avec des outils électriques à branchement de terre.** Des fiches non modifiées et des socles adaptés réduisent le risque de choc électrique.

**b) Éviter tout contact du corps avec des surfaces reliées à la terre telles que les tuyaux, les radiateurs, les cuisinières et les réfrigérateurs.** Il existe un risque accru de choc électrique si votre corps est relié à la terre.

**c) Ne pas exposer les outils électriques à la pluie ou à des conditions humides.** La pénétration d'eau à l'intérieur d'un outil électrique augmente le risque de choc électrique.

**d) Ne pas maltraiter le cordon. Ne jamais utiliser le cordon pour porter, tirer ou débrancher l'outil électrique. Maintenir le cordon à l'écart de la chaleur, du lubrifiant, des arêtes vives ou des parties en mouvement.** Des cordons endommagés ou emmêlés augmentent le risque de choc électrique.

**e) Lorsqu'on utilise un outil électrique à l'extérieur, utiliser un prolongateur adapté à l'utilisation extérieure.** L'utilisation d'un cordon adapté à l'utilisation extérieure réduit le risque de choc électrique.

- f) Si l'usage d'un outil électrique dans un emplacement humide est inévitable, utiliser une alimentation protégée par un dispositif à courant différentiel résiduel (RCD). L'usage d'un RCD réduit le risque de choc électrique.
- 3) **Sécurité des personnes**
- a) **Rester vigilant, regarder ce que vous êtes en train de faire et faire preuve de bon sens dans votre utilisation de l'outil électrique. Ne pas utiliser un outil électrique lorsque vous êtes fatigué ou sous l'emprise de drogues, de l'alcool ou de médicaments.** Un moment d'inattention en cours d'utilisation d'un outil électrique peut entraîner des blessures graves.
- b) **Utiliser un équipement de protection individuelle. Toujours porter une protection pour les yeux.** Les équipements de protection individuelle tels que les masques contre les poussières, les chaussures de sécurité antidérapantes, les casques ou les protections auditives utilisés pour les conditions appropriées réduisent les blessures.
- c) **Éviter tout démarrage intempestif. S'assurer que l'interrupteur est en position arrêt avant de brancher l'outil au secteur et/ou au bloc de batteries, de le ramasser ou de le porter.** Porter les outils électriques en ayant le doigt sur l'interrupteur ou brancher des outils électriques dont l'interrupteur est en position marche est source d'accidents.
- d) **Retirer toute clé de réglage avant de mettre l'outil électrique en marche.** Une clé laissée fixée sur une partie tournante de l'outil électrique peut donner lieu à des blessures.
- e) **Ne pas se précipiter. Garder une position et un équilibre adaptés à tout moment.** Cela permet un meilleur contrôle de l'outil électrique dans des situations inattendues.
- f) **S'habiller de manière adaptée. Ne pas porter de vêtements amples ou de bijoux. Garder les cheveux et les vêtements à distance des parties en mouvement.** Des vêtements amples, des bijoux ou les cheveux longs peuvent être pris dans des parties en mouvement.
- g) **Si des dispositifs sont fournis pour le raccordement d'équipements pour l'extraction et la récupération des poussières, s'assurer qu'ils sont connectés et correctement utilisés.** Utiliser des collecteurs de poussière peut réduire les risques dus aux poussières.
- h) **Rester vigilant et ne pas négliger les principes de sécurité de l'outil sous prétexte que vous avez l'habitude de l'utiliser.** Une fraction de seconde d'inattention peut provoquer une blessure grave.
- 4) **Utilisation et entretien de l'outil électrique**
- a) **Ne pas forcer l'outil électrique. Utiliser l'outil électrique adapté à votre application.** L'outil électrique adapté réalise mieux le travail et de manière plus sûre au régime pour lequel il a été construit.
- b) **Ne pas utiliser l'outil électrique si l'interrupteur ne permet pas de passer de l'état de marche à arrêt et inversement.** Tout outil électrique qui ne peut pas être commandé par l'interrupteur est dangereux et il faut le réparer.
- c) **Débrancher la fiche de la source d'alimentation et/ou enlever le bloc de batteries, s'il est amovible, avant tout réglage, changement d'accessoires ou avant de ranger l'outil électrique.** De telles mesures de sécurité préventives réduisent le risque de démarrage accidentel de l'outil électrique.
- d) **Conserver les outils électriques à l'arrêt hors de la portée des enfants et ne pas permettre à des personnes ne connaissant pas l'outil électrique ou les présentes instructions de le faire fonctionner.** Les outils électriques sont dangereux entre les mains d'utilisateurs novices.
- e) **Observer la maintenance des outils électriques et des accessoires. Vérifier qu'il n'y a pas de mauvais alignement ou de blocage des parties mobiles, des pièces cassées ou toute autre condition pouvant affecter le fonctionnement de l'outil électrique. En cas de dommages, faire réparer l'outil électrique avant de l'utiliser.** De nombreux accidents sont dus à des outils électriques mal entretenus.



- f) Garder affûtés et propres les outils permettant de couper.** Des outils destinés à couper correctement entretenus avec des pièces coupantes tranchantes sont moins susceptibles de bloquer et sont plus faciles à contrôler.
- g) Utiliser l'outil électrique, les accessoires et les lames etc., conformément à ces instructions, en tenant compte des conditions de travail et du travail à réaliser.** L'utilisation de l'outil électrique pour des opérations différentes de celles prévues peut donner lieu à des situations dangereuses.
- h) Il faut que les poignées et les surfaces de préhension restent sèches, propres et dépourvues d'huiles et de graisses.** Des poignées et des surfaces de préhension glissantes rendent impossibles la manipulation et le contrôle en toute sécurité de l'outil dans les situations inattendues.
- 5) Utilisation des outils fonctionnant sur batteries et précautions d'emploi**
- a) Ne recharger qu'avec le chargeur spécifié par le fabricant.** Un chargeur qui est adapté à un type de bloc de batteries peut créer un risque de feu lorsqu'il est utilisé avec un autre type de bloc de batteries.
- b) N'utiliser les outils électriques qu'avec des blocs de batteries spécifiquement désignés.** L'utilisation de tout autre bloc de batteries peut créer un risque de blessure et de feu.
- c) Lorsqu'un bloc de batteries n'est pas utilisé, le maintenir à l'écart de tout autre objet métallique, par exemple trombones, pièces de monnaie, clés, clous, vis ou autres objets de petite taille qui peuvent donner lieu à une connexion d'une borne à une autre.** Le court-circuitage des bornes d'une batterie entre elles peut causer des brûlures ou un feu.
- d) Dans de mauvaises conditions, du liquide peut être éjecté de la batterie; éviter tout contact. En cas de contact accidentel, nettoyer à l'eau. Si le liquide entre en contact avec les yeux, rechercher en plus une aide médicale.** Le liquide éjecté des batteries peut causer des irritations ou des brûlures.
- e) Ne pas utiliser un bloc de batteries ou un outil fonctionnant sur batteries qui a été endommagé ou modifié.** Les batteries endommagées ou modifiées peuvent avoir un comportement imprévisible provoquant un feu, une explosion ou un risque de blessure.
- f) Ne pas exposer un bloc de batteries ou un outil fonctionnant sur batteries au feu ou à une température excessive.** Une exposition au feu ou à une température supérieure à 130 °C peut provoquer une explosion.
- g) Suivre toutes les instructions de charge et ne pas charger le bloc de batteries ou l'outil fonctionnant sur batteries hors de la plage de températures spécifiée dans les instructions.** Un chargement incorrect ou à des températures hors de la plage spécifiée de températures peut endommager la batterie et augmenter le risque de feu.
- 6) Maintenance et entretien**
- a) Faire entretenir l'outil électrique par un réparateur qualifié utilisant uniquement des pièces de rechange identiques.** Cela assure le maintien de la sécurité de l'outil électrique.
- b) Ne jamais effectuer d'opération d'entretien sur des blocs de batteries endommagés.** Il convient que l'entretien des blocs de batteries ne soit effectué que par le fabricant ou les fournisseurs de service autorisés.

## Instructions particulières de sécurité.

**Tenir l'outil électrique uniquement par les surfaces de préhension isolantes, car la fraise peut être en contact avec son propre câble.** Le fait de couper un fil "sous tension" peut mettre "sous tension" les parties métalliques accessibles de l'outil électrique et provoquer un choc électrique chez l'opérateur.

**Utiliser des bornes ou une autre méthode pratique pour bloquer et soutenir la pièce sur un support stable.** Si vous ne tenez la pièce que par votre main ou contre votre corps, elle est dans une position instable, ce qui peut entraîner une perte de contrôle.

**N'utilisez pas des accessoires qui n'ont pas été spécialement conçus ou autorisés par le fabricant de l'outil électrique.** Le seul fait qu'un accessoire puisse être monté sur votre outil électrique ne garantit pas une utilisation sans risque.

**Tenir l'outil électrique fermement, en faisant attention à ce que votre corps ne puisse jamais entrer en contact avec l'outil de travail, en particulier lorsque vous travaillez avec des outils dirigés vers la poignée tels que lames de scie ou outils de coupe.** Le contact avec des bords ou coins tranchants peut entraîner des blessures.

**Porter un équipement de protection individuelle. En fonction de l'application, utiliser un écran facial, des lunettes de sécurité ou des verres de sécurité. Le cas échéant, utiliser un masque antipoussières, des protections auditives, des gants et un tablier capables d'arrêter les petits fragments abrasifs ou des pièces à usiner.** La protection oculaire doit être capable d'arrêter les débris volants produits par les diverses opérations. Le masque antipoussières ou le masque respiratoire doit être capable de filtrer les particules produites par vos travaux. L'exposition prolongée aux bruits de forte intensité peut provoquer une perte de l'audition.

**Ne dirigez pas l'outil électrique vers vous-même ou vers d'autres personnes ou des animaux.** Il y a un danger de blessure causé par des outils de travail tranchants ou chauds.

**Il est interdit de visser ou de riveter des plaques ou des repères sur l'outil électrique.**

Une isolation endommagée ne présente aucune protection contre une électrocution. Utilisez des autocollants.

**Nettoyez régulièrement les ouïes de ventilation de l'outil électrique avec des outils non-métalliques.** La ventilation du moteur aspire la poussière à l'intérieur du carter. Une trop grande quantité de poussière de métal accumulée peut provoquer des incidents électriques.

**Après avoir travaillé des matériaux à base de plâtre : Nettoyer les orifices de ventilation de l'outil électrique et de l'élément de commande à l'aide d'air comprimé sec exempt d'huile.** Autrement, les poussières plâtreuses pourraient se déposer dans le carter de l'outil électrique et sur l'élément de commande et pourraient durcir au contact de l'humidité présente dans l'air. Ceci peut entraver le mécanisme d'enclenchement.

### Utilisation et entretien de l'accumulateur (blocs d'accu)

**Afin d'éviter des dangers tels que brûlures, incendie, explosion, blessures de la peau et d'autres blessures lors du maniement de l'accumulateur, respectez les indications suivantes :**

**Ne pas ouvrir, ni démonter les accumulateurs. Ne pas exposer les accus à des chocs mécaniques.** En cas d'endommagement et d'utilisation non conforme de l'accu, des vapeurs et liquides nuisibles peuvent s'échapper. Les vapeurs peuvent irriter les voies respiratoires. Le liquide qui sort de l'accumulateur peut provoquer des irritations de la peau ou causer des brûlures.

**Au cas où le liquide contenu dans les accumulateurs aurait contaminé des objets se trouvant à proximité, contrôlez les parties touchées, nettoyez-les ou, le cas échéant, remplacez-les.**

**N'exposez pas l'accumulateur à la chaleur ni au feu. Ne stockez pas l'accumulateur dans un endroit directement exposé au soleil.**

**Ne retirez l'accumulateur de son emballage d'origine que lorsqu'il doit être utilisé.**

**Avant tous travaux sur l'outil électrique, retirez l'accumulateur de l'outil.** Risque de blessures en cas de démarrage non intentionnel de l'outil électrique.

**Ne retirez l'accumulateur que lorsque l'outil électrique est à l'arrêt.**

**Maintenez les accumulateurs hors de la portée des enfants.**

**Tenez toujours l'accumulateur propre et protégez-le de l'humidité et de l'eau.** Nettoyez les raccords encrassés de l'accumulateur et de l'outil électrique à l'aide d'un chiffon sec et propre.

## Maniement de poussières nocives.

**⚠ AVERTISSEMENT** Lors du travail avec des outils, par ex. lors du ponçage, polissage, sciage ou d'autres opérations enlevant du matériau, des poussières sont générées qui peuvent être nocives pour la santé, auto-inflammables ou explosives.

Toucher ou aspirer certaines poussières peut causer des réactions allergiques et/ou des maladies respiratoires, un cancer, des malformations à la naissance ou autres anomalies de reproduction auprès de l'utilisateur ou de personnes se trouvant à proximité.

Quelques exemples de tels matériaux et des produits chimiques qu'ils contiennent dont l'usinage génère des poussières nocives :

- l'amiante et les matériaux contenant de l'amiante ;
- peintures contenant du plomb, certains bois tels que le bois de chêne et de hêtre ;
- minéraux et métal ;
- les particules de silicate contenues dans les briques, le béton et autres matériaux contenant de la roche ;
- les solvants contenus dans les vernis et peintures ;
- l'arsenic, le chrome et d'autres lazures ;
- produits pour la lutte contre les vermines sur la coque de bateaux et de bâtiments ;
- poussières d'aciers fins, poussières de métaux et poussières de métaux non-ferreux.

**N'utilisez que des accumulateurs intacts d'origine FEIN conçus pour votre outil électrique.** Lors du travail avec et lors du chargement d'accumulateurs d'un type ne convenant pas à l'outil, d'accumulateurs endommagés, réparés ou modifiés, d'accumulateurs contrefaits ou d'autres fabricants, il y a danger d'incendie et/ou d'explosion.

**Respectez les indications de sécurité de la notice d'utilisation du chargeur d'accumulateurs.**

Pour minimiser la résorption indésirable de ces matériaux :

- utiliser une aspiration adaptée à la poussière générée.
- Utilisez des équipements personnels de protection tels que par exemple un masque anti-poussière de la classe filtre P2.
- Veillez à bien aérer la zone de travail.

Le risque causé par le fait d'aspirer des poussières dans les poumons dépend de la fréquence à laquelle ces matériaux sont travaillés. Les matériaux contenant de l'amiante ne doivent être travaillés que par des personnes qualifiées.

**⚠ ATTENTION** Les poussières de bois et les poussières de métaux légers peuvent causer une auto-inflammation ou une explosion.

Des mélanges chauds de poussières de ponçage contenant des résidus de vernis, de polyuréthane ou de produits chimiques dans le sac à poussières en papier ou dans le filtre de l'aspirateur peuvent s'enflammer dans des conditions défavorables tels que projection d'étincelles lors du ponçage de métaux, soleil direct permanent ou température ambiante élevée. Pour prévenir ces conditions :

- Evitez la surchauffe des matériaux usinés et de l'outil électrique.
- Videz le bac de récupération des poussières à temps.
- Respectez les indications de travail du fabricant du matériau.
- Respectez les règlements en vigueur dans votre pays spécifiques aux matériaux à traiter.

## Vibrations mains-bras.

**⚠ AVERTISSEMENT** **Des vibrations mains-bras sont générées lors du travail avec cet outil électrique.** Celles-ci peuvent entraîner des effets néfastes sur la santé.

**⚠ AVERTISSEMENT** La valeur réelle des vibrations lors de l'utilisation de l'outil électrique peut dévier des valeurs indiquées, en fonction de l'utilisation de l'outil électrique.

**⚠ AVERTISSEMENT** Pour protéger l'opérateur, des mesures de sécurité doivent être déterminées sur la base de la sollicitation vibratoire estimée pendant l'utilisation effective. L'amplitude d'oscillation indiquée dans ces instructions d'utilisation a été mesurée conformément à la norme EN 62841 et peut être utilisée pour une comparaison d'outils électriques. Elle est également appropriée pour une estimation préliminaire de la sollicitation vibratoire.

L'amplitude d'oscillation représente les utilisations principales de l'outil électroportatif. Si l'outil électrique est cependant utilisé pour d'autres applications, avec d'autres outils de travail ou avec un entretien non approprié, l'amplitude d'oscillation peut être différente. Ceci peut augmenter considérablement la sollicitation vibratoire pendant toute la durée de travail.

Pour une estimation précise de la sollicitation vibratoire, il est recommandé de prendre aussi en considération les espaces de temps pendant lesquels l'appareil est éteint ou en marche, mais pas vraiment utilisé. Ceci peut réduire considérablement la sollicitation vibratoire pendant toute la durée de travail. Déterminez des mesures de protection supplémentaires pour protéger l'utilisateur des effets des vibrations, telles que par exemple : Entretien de l'outil électrique et des outils de travail, maintenir les mains chaudes, organisation des opérations de travail.

**Valeurs d'émission pour niveau sonore et vibration** (Indication à deux chiffres conformément à la norme ISO 4871)

### Emission acoustique

### AMM 700 MAX (\*\*)

Mesure réelle (A) du niveau de pression acoustique sur le lieu de travail $L_{pA}$ (re 20 $\mu$ Pa), en décibel	73.8
Incertitude $K_{pA}$ , en décibel	3.0
Mesure réelle (A) du niveau d'intensité acoustique pondéré $L_{WA}$ (re 1 pW), en décibel	84.8
Incertitude $K_{WA}$ , en décibel	3.0
Mesure réelle (C) du niveau max. de pression acoustique sur le lieu de travail $L_{pCpeak}$ en décibel	88.5
Incertitude $K_{pCpeak}$ en décibel	3.0

REMARQUE : La somme de la valeur d'émission mesurée et de l'incertitude constitue la limite supérieure des valeurs qui peuvent apparaître pendant des mesurages.



Porter une protection acoustique !

Valeurs de mesure mesurées conformément à la norme correspondante du produit.

<b>Vibration</b>	<i>a</i>
Classement des outils FEIN suivant la classe de vibrations	Accélération réelle mesurée*
<i>VC0</i>	< 2.5 m/s <sup>2</sup> < 8 ft/s <sup>2</sup>
<i>VC1</i>	< 5 m/s <sup>2</sup> < 16 ft/s <sup>2</sup>
<i>VC2</i>	< 7 m/s <sup>2</sup> < 23 ft/s <sup>2</sup>
<i>VC3</i>	< 10 m/s <sup>2</sup> < 33 ft/s <sup>2</sup>
<i>VC4</i>	< 15 m/s <sup>2</sup> < 50 ft/s <sup>2</sup>
<i>VC5</i>	> 15 m/s <sup>2</sup> > 50 ft/s <sup>2</sup>
<i>Ka</i>	1.5 m/s <sup>2</sup> 4.92 ft/s <sup>2</sup>
* Ces valeurs sont basées sur un cycle de travail consistant en un service à vide et un service à pleine charge d'une même durée. Pour le classement de l'outil de travail suivant la classe de vibrations, voir la feuille jointe 3 41 30 442 06 0.	

















## Conception de l'outil électrique :




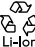



machine oscillante électroportative, conçue pour le travail à sec dans un environnement à l'abri des intempéries avec les accessoires autorisés par FEIN.

- pour le sciage de bois, de matières plastiques, de matières plastiques renforcées par fibres de verre (PRV, CFRP) et pour le sciage de tôles (1 mm max.)

- pour le découpage de joints de carreaux et râpage ou grattage de colles à carrelage ou de restes de moquettes
- pour les travaux de ponçage ou de grattage de petites surfaces

## Symboles.

Symbole, signe	Explication
	Suivre les indications données dans le texte ou la représentation graphique ci-contre !
	Signal d'interdiction général. Cette action est interdite !
	Lire impérativement les documents ci-joints tels que la notice d'utilisation et les instructions générales de sécurité.
	Ne pas toucher la lame de scie. Danger provoqué par des outils de travail tranchants en mouvement.
	Attention aux bords tranchants des outils de travail tels que les lames des couteaux.
	Avant d'effectuer ce travail, retirer l'accumulateur de l'outil électrique. Sinon, il y a des risques de blessures dues à un démarrage non intentionné de l'outil.
	Lors des travaux, porter une protection oculaire.
	Lors des travaux, porter une protection acoustique.
	Lors des travaux, porter une protection anti-poussière.
	Lors des travaux, utiliser un protège-main.
	Mise en fonctionnement
	Arrêt
	Ne pas charger des accus endommagés.
	Suivre les indications données dans le texte ci-contre !
	Confirme la conformité de l'outil électrique aux directives de l'Union Européenne.
	Ce symbole confirme la certification de ce produit aux Etats-Unis et au Canada.

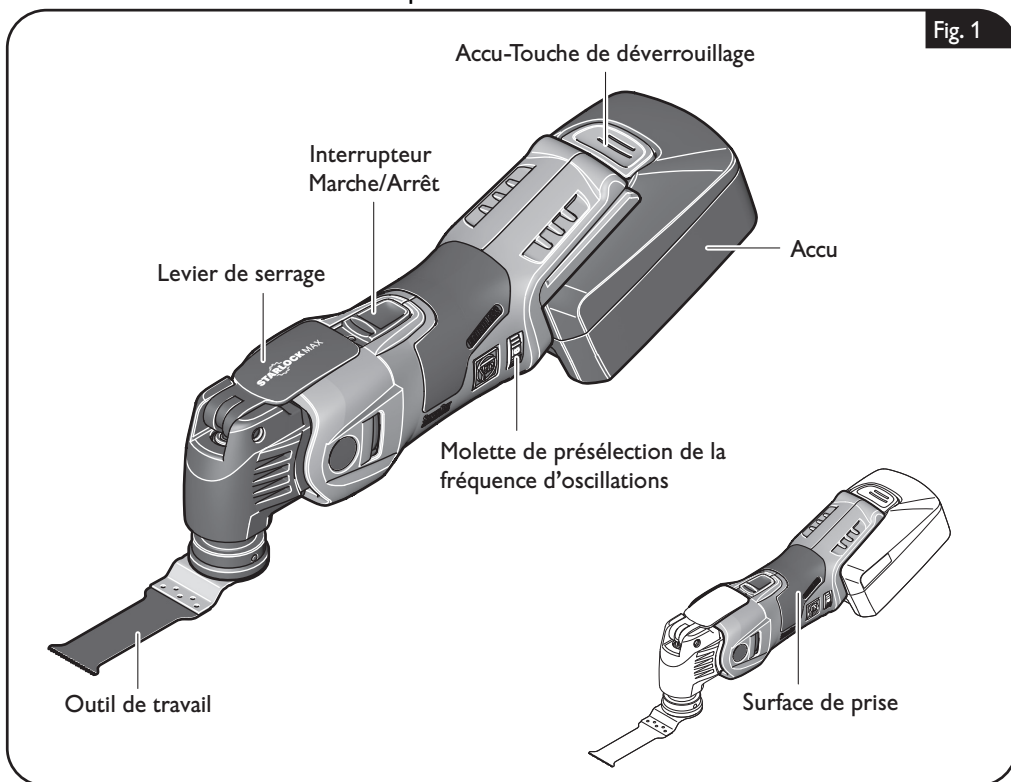
Symbole, signe	Explication
 <b>DANGER</b>	Cette indication met en garde contre une situation dangereuse imminente. Une mauvaise manipulation peut entraîner de graves blessures ou la mort.
 <b>AVERTISSEMENT</b>	Cette indication indique une situation éventuellement dangereuse pouvant entraîner de graves blessures ou la mort.
 <b>ATTENTION</b>	Cette indication met en garde contre une situation potentiellement dangereuse qui peut entraîner des blessures.
 Li-Ion	Signalisation de recyclage : indique les matériaux recyclables
	Trier les outils électriques ainsi que tout autre produit électrotechnique et électrique et les déposer à un centre de recyclage respectant les directives relatives à la protection de l'environnement.
	Petite vitesse
	Vitesse élevée
**	peut contenir des chiffres ou des lettres
(Ax - Zx)	Marquage interne

Signe	Unité nationale	Explication
$n_0$	rpm; /min; $\text{min}^{-1}$ ; r/min	Vitesse de référence
$P$	W	Unité de mesure pour la puissance électrique
	°	Angle d'oscillation
$U$	V	Unité de mesure pour la tension électrique
$f$	Hz	Unité de mesure pour la fréquence
$I$	A	Unité de mesure pour l'intensité du courant électrique
$m$	lbs	Unité de mesure pour la masse
$l$	ft, in	Unité de mesure pour longueur, largeur, hauteur, profondeur, diamètre ou filetage
$\emptyset$	ft, in	Diamètre d'un élément
$K...$		Incertitude
$a$	$\text{m/s}^2$	Valeur d'émission vibratoire selon EN 62841 (somme vectorielle des trois directions)
	m, s, kg, A, mm, V, W, Hz, N, °C, dB, min, $\text{m/s}^2$	Unités de base et unités dérivées du système international <b>SI</b> .

## Description technique et spécification.



**⚠ AVERTISSEMENT** Retirer la batterie avant de commencer les travaux de montage ou de changer les outils de travail et les accessoires. Cette mesure de sécurité préventive exclut un danger de blessure causé par un démarrage non intentionné de l'outil électrique.

Il se peut que seule une partie des accessoires décrits ou représentés dans cette notice d'utilisation soit fournie avec l'outil électrique.





<b>Type</b>	<b>AMM 700 MAX (**)</b>
Référence	7 129 ...
Vitesse de référence	10000 – 19500 tr/min
Amplitude	2 x 2.0°
Poids suivant EPTA-Procedure 01	2.4 lbs (1.1 kg)

<b>Type</b>	<b>B18A</b>	<b>B18A</b>
		
Type d'accumulateur	ions lithium (Lilon)	ions lithium (Lilon)
Tension de référence	18 V <sub>---</sub>	18 V <sub>---</sub>
Poids suivant EPTA-Procedure 01 (Batterie)	1.0 lbs (0.45 kg)	1.5 lbs (0.70 kg)
Chargeur	ALG 30, ALG 50, ALG 80 (**)	

## Indications de montage.

**⚠ AVERTISSEMENT** Retirer la batterie avant de commencer les travaux de montage ou de changer les outils de travail et les accessoires. Cette mesure de sécurité préventive exclut un danger de blessure causé par un démarrage non intentionné de l'outil électrique.

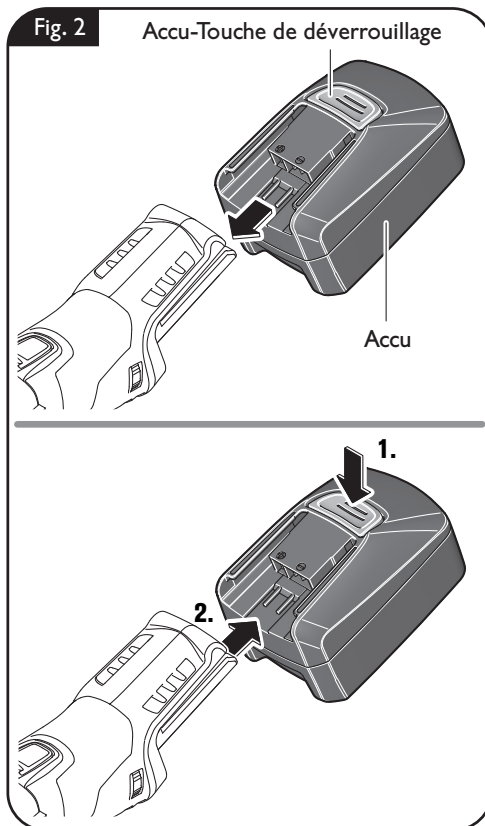
### Retirer et charger l'accumulateur (figure 2).

- ❗ Lisez la notice d'utilisation du chargeur avant le premier processus de charge.
- ❗ Avant la première mise en service, chargez l'accumulateur complètement.

Déverrouillez l'accumulateur en appuyant sur la touche de déverrouillage et retirez-le de la poignée. Ne forcez pas.

Branchez le chargeur sur la prise de courant, enfoncez l'accumulateur sur le chargeur et chargez l'accumulateur. Une fois le processus de charge terminé, montez l'accumulateur sur l'outil électrique et retirez la fiche du chargeur de la prise de courant.

Un accumulateur neuf n'atteint sa pleine puissance qu'après plusieurs cycles de charge et de décharge.



## Maniement de l'accumulateur.

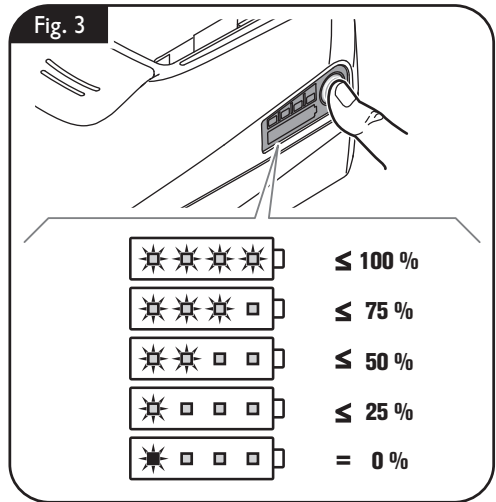
Ne stockez, n'utilisez et ne chargez la batterie qu'à l'aide de chargeurs FEIN dans la plage de température de service admissible de 5°C à 45°C (41°F à 113°F). Au début du processus de charge, la température de la batterie doit se situer dans la plage de température de service de la batterie.

## Voyant lumineux indiquant l'état de charge de l'accumulateur (figure 3).

Appuyez sur la touche pour activer l'affichage LED.

Affichage LED	Explication	Action
1 – 4 LED vertes	Etat de charge en pourcentage	Machine prête à l'emploi
Voyant rouge permanent	L'accumulateur est presque vide	Charger l'accumulateur
Voyant rouge clignotant	L'accumulateur n'est pas prêt à fonctionner	Mettre l'accumulateur dans la plage de température de service de l'accu, le charger ensuite

L'état de charge actuel en pourcentage de l'accumulateur n'est indiqué que lorsque le moteur de l'outil électroportatif est à l'arrêt. L'électronique stoppe automatiquement le moteur pour éviter toute décharge avancée de l'accumulateur.

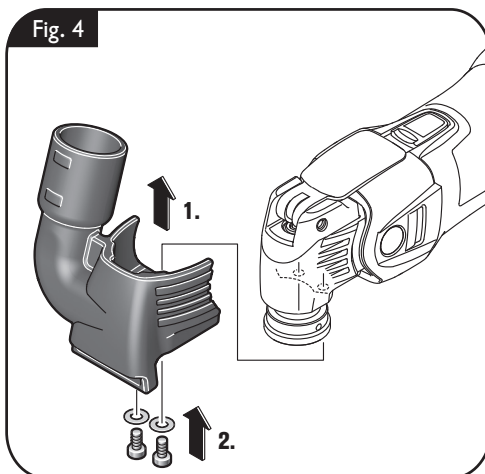


### Dispositif d'aspiration des poussières (Rénovation des joints) (figure 4).

Monter le dispositif d'aspiration des poussières.

Raccorder un aspirateur.

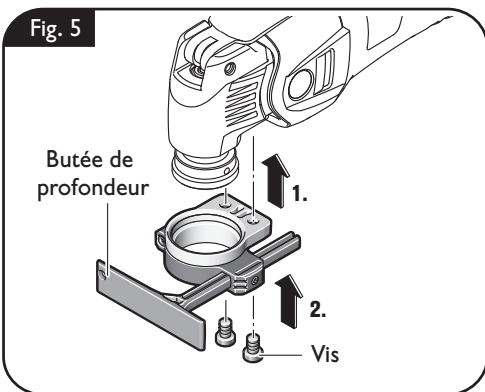
Fig. 4



### Montage de la butée de profondeur (figure 5).

Monter la butée de profondeur au moyen des deux vis se trouvant sur le côté inférieur de la tête d'engrenage.

Fig. 5



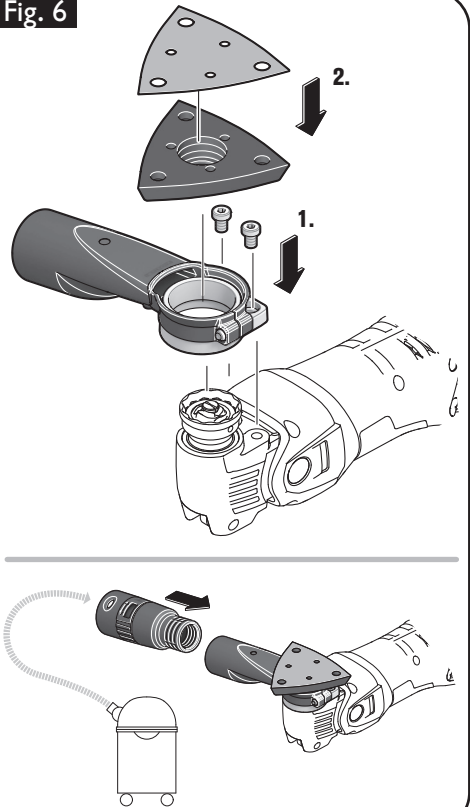
## Dispositif d'aspiration des poussières (figure 6).

Monter le dispositif d'aspiration des poussières.

Ensuite, monter l'outil de travail souhaité.

Raccorder un aspirateur.

Fig. 6



## Indications de montage.

**⚠ AVERTISSEMENT** Retirer la batterie avant de commencer les travaux de montage ou de changer les outils de travail et les accessoires. Cette mesure de sécurité préventive exclut un danger de blessure causé par un démarrage non intentionné de l'outil électrique.

**⚠ ATTENTION** Pour tous les travaux ou pour remplacer les outils de travail, porter toujours des gants de protection. Les bords tranchants des outils de travail présentent des risques de blessure. Les outils de travail peuvent devenir très chauds lors du travail, danger de brûlure !

### Changement d'outil.

**⚠ ATTENTION** Ne pas mettre en marche l'outil électrique avec levier de serrage ouvert. Danger d'écrasement de la main et des doigts.

**⚠ ATTENTION** Ne pas actionner le levier de serrage quand la machine est en marche. Risque de blessures.

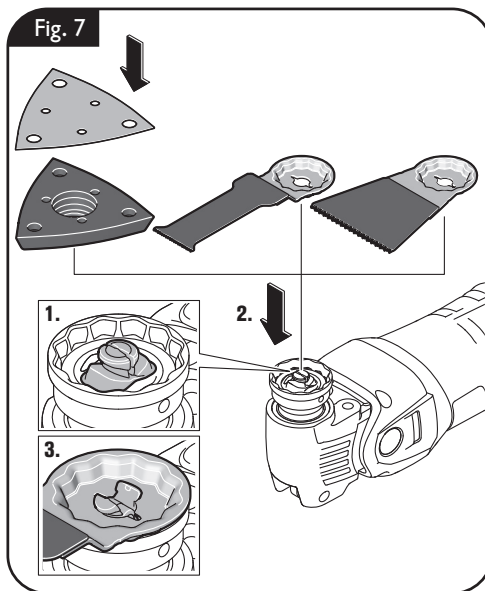
**⚠ ATTENTION** Ne pas mettre les mains dans la zone des mâchoires de serrage. Danger d'écrasement des doigts.

**⚠ ATTENTION** Ne pas utiliser l'outil électrique avec mâchoires de serrage ouvertes sans outil de travail ! Ceci pourrait endommager l'outil électrique.

**⚠ ATTENTION** Si les mâchoires de serrage sont ouvertes avant le montage de l'outil de travail, faire pivoter le levier de serrage vers l'avant et vers l'arrière. Les mâchoires de serrage se ferment. L'outil de travail peut être mis en place.

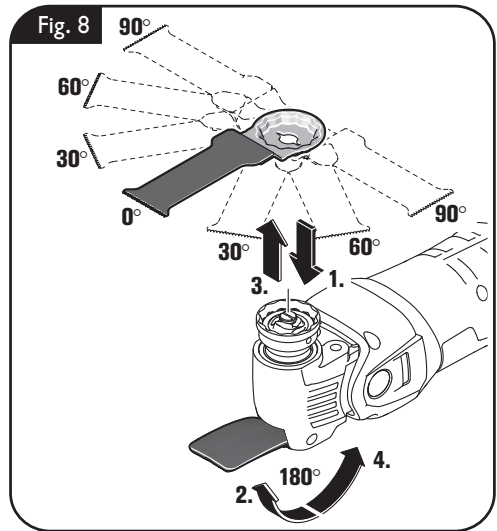
### Montage de l'outil de travail (figure 7).

Nettoyez le porte-outil et l'outil de travail. En position initiale, les mâchoires de serrage sont fermées dans le porte-outil. L'outil de travail se laisse encliqueter dans cette position.



### Positionnement de l'outil (figure 8).

Il est possible de déplacer l'outil de travail par étapes de 30° et de le fixer dans la position de travail la plus favorable.



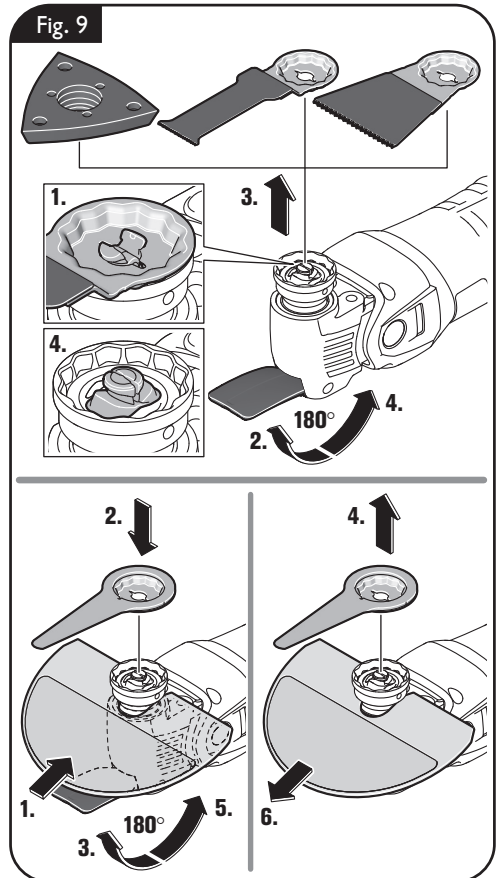
### Éjection de l'outil de travail (figure 9).

Pour éjecter l'outil de travail et pour atteindre la position initiale des mâchoires de serrage, déplacer le levier jusqu'à la butée puis vers l'arrière ; l'outil de travail se desserre.

Veiller à ce que l'outil de travail ne repose pas de biais dans le porte-outil.

**ATTENTION** Utiliser le couvercle 3 21 74 011 00 0 pour ne pas blesser vos mains ou bras lors du remplacement d'un accessoire avec des bords tranchants.

**!** Pour tous les travaux ou pour remplacer les outils de travail, porter toujours des gants de protection. Les bords tranchants des outils de travail présentent des risques de blessure. Les outils de travail peuvent devenir très chauds lors du travail, danger de brûlure !



## Indications pour le travail.

**⚠ AVERTISSEMENT** Retirer la batterie avant de commencer les travaux de montage ou de changer les outils de travail et les accessoires. Cette mesure de sécurité préventive exclut un danger de blessure causé par un démarrage non intentionné de l'outil électrique.

**N'utilisez pas d'accessoires non conçus spécifiquement et recommandés par FEIN pour cet outil électrique.** Le fait d'utiliser des accessoires qui ne sont pas d'origine FEIN risque de surchauffer l'outil électrique et de le détruire.

**⚠ ATTENTION** N'utiliser que des outils de travail FEIN conçus et autorisés pour l'utilisation correspondante.

### Mise en fonctionnement/Arrêt (figure 10).

**⚠ ATTENTION** Toujours bien tenir l'outil électroportatif. Vous risquez sinon de perdre le contrôle de l'outil électrique.

Le verrouillage de mise en marche automatique évite que l'outil électrique ne se remette automatiquement en marche lors de l'enfichage de l'accu si l'interrupteur est sur Marche.

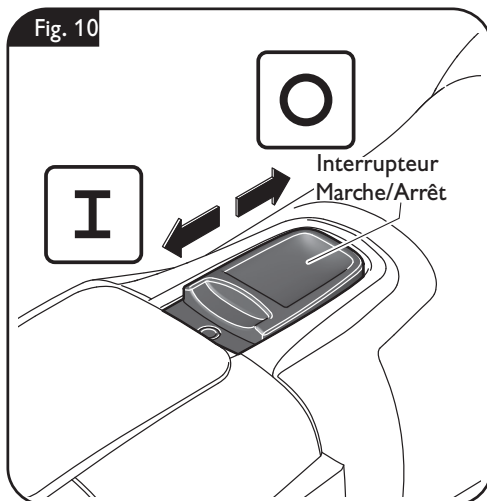
**👉 Ne guider l'outil électroportatif contre la pièce à travailler que lorsque l'appareil est en marche.**

#### Mise en fonctionnement :

Poussez l'interrupteur (I) vers l'avant.

#### Arrêt :

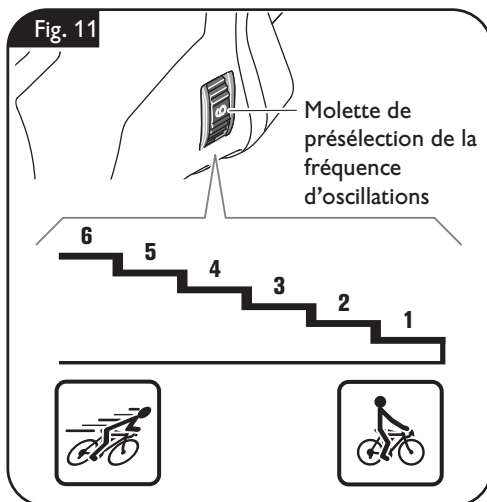
Poussez l'interrupteur vers l'arrière (O).



### Réglage de la fréquence d'oscillation (figure 11).

Régler la fréquence d'oscillation en continu à l'aide de la molette de réglage.

Positionnez la molette de réglage entre « 1 » pour la vitesse de rotation la plus basse et « 6 » pour la vitesse la plus élevée.





### **Renseignements pour le ponçage.**

Appuyez brièvement et fortement la feuille abrasive de l'outil électrique sur une surface plane et mettez brièvement l'outil électrique en marche. Ceci permet d'obtenir une bonne adhérence et empêche une usure précoce.

Il est possible de retirer la feuille abrasive et de la remonter tournée de 120°, si seule une pointe de la feuille abrasive est usée.

Travaillez avec toute la surface du plateau de ponçage, pas seulement avec la pointe.

Choisissez une fréquence d'oscillation élevée (électronique vitesse 4–6) lorsque vous utilisez les petits plateaux triangulaires et une fréquence moyenne (électronique vitesse 4 max.) lorsque vous utilisez le grand plateau triangulaire.

Poncez par un mouvement continu et en appliquant une légère pression. Une pression trop élevée n'augmente pas l'enlèvement de matière mais l'usure de la feuille abrasive.

### **Renseignements pour le sciage.**

Choisissez une fréquence d'oscillation élevée. Il est possible d'enlever les lames rondes et de les refixer tournées pour garantir une usure régulière.

Si la pression de contact est très élevée, la vitesse de rotation est automatiquement réduite jusqu'à l'arrêt et à nouveau augmentée lors d'une décharge.

### **Renseignements pour le grattage.**

Choisissez une fréquence d'oscillation moyenne à élevée.

## Travaux d'entretien et service après-vente.

**⚠ AVERTISSEMENT** Retirer la batterie avant de commencer les travaux de montage ou de changer les outils de travail et les accessoires. Cette mesure de sécurité préventive exclut un danger de blessure causé par un démarrage non intentionné de l'outil électrique.

### Pièces remplaçables.

Si nécessaire, vous pouvez vous-même remplacer les éléments suivants :

Outils pour être montés sur l'appareil

### Service après-vente.

**⚠ AVERTISSEMENT** Ne faire effectuer les travaux d'entretien que par des personnes qualifiées. Les câbles et éléments mal montés peuvent présenter des risques graves. Ne faire effectuer le service d'entretien nécessaire que par une station de service après-vente FEIN.

Les produits ayant été en contact avec de l'amiante ne doivent pas être réparés. Éliminez les produits contaminés par l'amiante conformément aux dispositions nationales relatives à l'élimination de déchets contenant de l'amiante.

Vous trouverez la liste actuelle des pièces de rechange pour cet outil électroportatif sur notre site [www.fein.com](http://www.fein.com).

N'utiliser que des pièces de rechange d'origine.

### Nettoyage.

**⚠ AVERTISSEMENT** Retirez l'accumulateur avant tout travail d'entretien et de nettoyage. Cette mesure de sécurité préventive exclut un danger de blessure causé par un démarrage non intentionné de l'outil électrique.

**⚠ AVERTISSEMENT** S'il y a de la poussière conductrice dans l'air lors de l'utilisation de l'appareil, p. ex. lors du traitement de métaux, cette poussière peut se déposer à l'intérieur de l'outil électrique. Soufflez alors régulièrement de l'extérieur de l'air comprimé sec exempt d'huile dans l'intérieur de l'outil électrique à travers les ouïes de ventilation ; utilisez toujours une protection oculaire.

**⚠ ATTENTION** N'essayez pas de nettoyer les orifices de ventilation à l'aide d'objets métalliques pointus ; utilisez des outils non-métalliques.

**⚠ ATTENTION** N'utilisez pas de détergents ou de solvants qui peuvent endommager les parties en matière plastique. Par exemple : l'essence, le tétrachlorure de carbone, solvants chlorés, l'ammoniaque et produits de nettoyage domestiques contenant de l'ammoniaque.

Lors du travail des matériaux à base de plâtre, de la poussière pourrait se déposer à l'intérieur de l'outil électrique et sur l'élément de commande et pourrait durcir au contact de l'humidité présente dans l'air. Ceci peut entraver le mécanisme d'enclenchement. Souffler fréquemment de l'air comprimé sec et exempt d'huile dans l'intérieur de l'outil électrique à travers les orifices de ventilation.

## Garantie.

La garantie du produit est valide conformément à la réglementation légale en vigueur dans le pays où le produit est mis sur le marché. Outre les obligations de garantie légale, les appareils FEIN sont garantis conformément à notre déclaration de garantie de fabricant.

Il se peut que seule une partie des accessoires décrits ou représentés dans cette notice d'utilisation soit fournie avec l'outil électrique.

## Protection de l'environnement, recyclage.

Rapportez les emballages, les outils électriques hors d'usage et les accessoires dans un centre de recyclage respectant les directives concernant la protection de l'environnement.

N'éliminez les accumulateurs que lorsqu'ils sont déchargés.

Si les accumulateurs ne sont pas complètement déchargés, isolez par précaution le connecteur électrique à l'aide d'un ruban adhésif pour les protéger contre les courts-circuits.

Pour plus de précisions, veuillez vous adresser à votre revendeur spécialisé.

## Transport

Les accumulateurs Lithium-ion sont soumis aux règlements de transport des matières dangereuses. L'utilisateur peut transporter les accumulateurs par voie routière sans mesures supplémentaires.

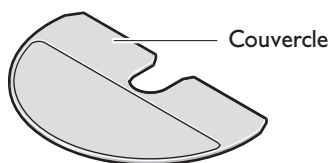
Lors d'une expédition par tiers (par ex. : transport aérien ou entreprise de transport), les mesures à prendre spécifiques à l'emballage et au marquage doivent être observées. Dans un tel cas, lors de la préparation de l'envoi, il est impératif de faire appel à un expert en transport des matières dangereuses.

N'expédiez les batteries que si le carter ne présente pas de dommages et aucun liquide ne s'écoule. Veillez à ce que les contacts de la batterie ne puissent pas être court-circuités. Utilisez l'emballage d'origine. Emballez la batterie de manière à ce qu'elle ne se déplace pas dans l'emballage.

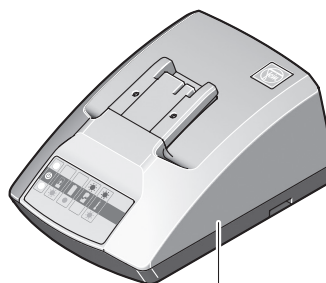
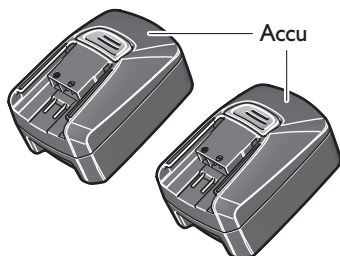
Veillez également respecter les réglementations supplémentaires éventuellement en vigueur.

## Accessoires (figure 12).

Fig. 12




3 21 74 011 00 0



Chargeur d'accus

## Para su seguridad.

**⚠ ADVERTENCIA** Lea íntegramente las advertencias de peligro, las instrucciones, las ilustraciones y las especificaciones entregadas con esta herramienta eléctrica. En caso de no atenerse a las instrucciones siguientes, ello puede ocasionar una descarga eléctrica, un incendio y/o una lesión grave.  
**Guardar todas las advertencias de peligro e instrucciones para futuras consultas.**

 No utilice esta herramienta eléctrica sin haber leído antes con detenimiento y haber entendido por completo estas instrucciones de uso, inclusive las ilustraciones, especificaciones, reglas de seguridad, así como las indicaciones identificadas con PELIGRO, ADVERTENCIA y PRECAUCIÓN.

Solamente use esta herramienta eléctrica para realizar los trabajos que FEIN ha previsto para la misma. Únicamente utilice las herramientas y accesorios autorizados por FEIN.

Observe también las respectivas prescripciones contra accidentes de trabajo vigentes en su país.

En caso de no atenerse a las instrucciones de seguridad mencionadas en la documentación previamente citada, ello puede provocar una electrocución, incendio y/o lesión grave.

Guarde estas instrucciones de uso para posteriores consultas y entréguelas al usuario en caso de prestar o vender la máquina.

**GUARDAR ESTAS INSTRUCCIONES EN UN LUGAR SEGURO.**

El término “herramienta eléctrica” empleado en las siguientes instrucciones de seguridad se refiere a herramientas eléctricas de conexión a la red (con línea) y a herramientas eléctricas accionadas por batería (o sea, sin línea).

## Instrucciones generales de seguridad.

### 1) Seguridad del puesto de trabajo

**a) Mantenga limpio y bien iluminado su puesto de trabajo.** El desorden o una iluminación deficiente en las áreas de trabajo pueden provocar accidentes.

**b) No utilice la herramienta eléctrica en un entorno con peligro de explosión, en el que se encuentren combustibles líquidos, gases o material en polvo.** Las herramientas eléctricas producen chispas que pueden llegar a inflamar los materiales en polvo o vapores.

**c) Mantenga alejados a los niños y otras personas de su puesto de trabajo al emplear la herramienta eléctrica.** Una distracción le puede hacer perder el control sobre la herramienta eléctrica.

### 2) Seguridad eléctrica

**a) El enchufe de la herramienta eléctrica debe corresponder a la toma de corriente utilizada. No es admisible modificar el enchufe en forma alguna. No emplear adaptadores en herramientas eléctricas dotadas con una toma de tierra.** Los enchufes sin modificar adecuados a las respectivas tomas de corriente reducen el riesgo de una descarga eléctrica.

**b) Evite que su cuerpo toque partes conectadas a tierra como tuberías, radiadores, cocinas y refrigeradores.** El riesgo a quedar expuesto a una sacudida eléctrica es mayor si su cuerpo tiene contacto con tierra.

**c) No exponga la herramienta eléctrica a la lluvia y evite que penetren líquidos en su interior.** Existe el peligro de recibir una descarga eléctrica si penetran ciertos líquidos en la herramienta eléctrica.

**d) No utilice el cable de red para transportar o colgar la herramienta eléctrica, ni tire de él para sacar el enchufe de la toma de corriente. Mantenga el cable de red alejado del calor, aceite, esquinas cortantes o piezas móviles.** Los cables de red dañados o enredados pueden provocar una descarga eléctrica.

**e) Al trabajar con la herramienta eléctrica a la intemperie utilice solamente cables de prolongación apropiados para su uso en exteriores.** La utilización de un cable de prolongación adecuado para su uso en exteriores reduce el riesgo de una descarga eléctrica.

- f) **Si fuese imprescindible utilizar la herramienta eléctrica en un entorno húmedo, es necesario conectarla a través de un fusible diferencial.** La aplicación de un fusible diferencial reduce el riesgo a exponerse a una descarga eléctrica.
- 3) **Seguridad de personas**
- a) **Esté atento a lo que hace y emplee la herramienta eléctrica con prudencia. No utilice la herramienta eléctrica si estuviese cansado, ni tampoco después de haber consumido alcohol, drogas o medicamentos.** El no estar atento durante el uso de la herramienta eléctrica puede provocar serias lesiones.
- b) **Utilice un equipo de protección personal y en todo caso unas gafas de protección.** El riesgo a lesionarse se reduce considerablemente si, dependiendo del tipo y la aplicación de la herramienta eléctrica empleada, se utiliza un equipo de protección adecuado como una mascarilla antipolvo, zapatos de seguridad con suela antideslizante, casco, o protectores auditivos.
- c) **Evite una puesta en marcha fortuita. Asegurarse de que la herramienta eléctrica esté desconectada antes de conectarla a la toma de corriente y/o al montar el acumulador, al recogerla, y al transportarla.** Si transporta la herramienta eléctrica sujetándola por el interruptor de conexión/desconexión, o si alimenta la herramienta eléctrica estando ésta conectada, ello puede dar lugar a un accidente.
- d) **Retire las herramientas de ajuste o llaves fijas antes de conectar la herramienta eléctrica.** Una herramienta de ajuste o llave fija colocada en una pieza rotante puede producir lesiones al poner a funcionar la herramienta eléctrica.
- e) **Evite posturas arriesgadas. Trabaje sobre una base firme y mantenga el equilibrio en todo momento.** Ello le permitirá controlar mejor la herramienta eléctrica en caso de presentarse una situación inesperada.
- f) **Lleve puesta una vestimenta de trabajo adecuada. No utilice vestimenta amplia ni joyas. Mantenga su pelo y vestimenta alejados de las piezas móviles.** La vestimenta suelta, el pelo largo y las joyas se pueden enganchar con las piezas en movimiento.
- g) **Siempre que sea posible utilizar unos equipos de aspiración o captación de polvo, asegúrese que éstos estén montados y que sean utilizados correctamente.** El empleo de estos equipos reduce los riesgos derivados del polvo.
- h) **No permita que la familiaridad ganada por el uso frecuente de la herramienta eléctrica lo deje creerse seguro e ignorar las normas de seguridad.** Una acción negligente puede causar lesiones graves en una fracción de segundo.
- 4) **Uso y trato cuidadoso de herramientas eléctricas**
- a) **No sobrecargue la herramienta eléctrica. Use la herramienta eléctrica prevista para el trabajo a realizar.** Con la herramienta eléctrica adecuada podrá trabajar mejor y más seguro dentro del margen de potencia indicado.
- b) **No utilice herramientas eléctricas con un interruptor defectuoso.** Las herramientas eléctricas que no se puedan conectar o desconectar son peligrosas y deben hacerse reparar.
- c) **Saque el enchufe de la red y/o retire el acumulador desmontable de la herramienta eléctrica, antes de realizar un ajuste, cambiar de accesorio o al guardar la herramienta eléctrica.** Esta medida preventiva reduce el riesgo a conectar accidentalmente la herramienta eléctrica.
- d) **Guarde las herramientas eléctricas fuera del alcance de los niños. No permita la utilización de la herramienta eléctrica a aquellas personas que no estén familiarizadas con su uso o que no hayan leído estas instrucciones.** Las herramientas eléctricas utilizadas por personas inexpertas son peligrosas.
- e) **Cuide la herramienta eléctrica y los accesorios con esmero. Controle si funcionan correctamente, sin atascarse, las partes móviles de la herramienta eléctrica, y si existen partes rotas o**

deterioradas que pudieran afectar al funcionamiento de la herramienta eléctrica. Haga reparar estas piezas defectuosas antes de volver a utilizar la herramienta eléctrica. Muchos de los accidentes se deben a herramientas eléctricas con un mantenimiento deficiente.

**f) Mantenga los útiles limpios y afilados.**

Los útiles mantenidos correctamente se dejan guiar y controlar mejor.

**g) Utilice la herramienta eléctrica, accesorios, útiles, etc. de acuerdo a estas instrucciones, considerando en ello las condiciones de trabajo y la tarea a realizar.** El uso de herramientas eléctricas para trabajos diferentes de aquellos para los que han sido concebidas puede resultar peligroso.

**h) Mantenga las empuñaduras y las superficies de las empuñaduras secas, limpias y libres de aceite y grasa.** Las empuñaduras y las superficies de las empuñaduras resbaladizas no permiten un manejo y control seguro de la herramienta eléctrica en situaciones imprevistas.

**5) Trato y uso cuidadoso de herramientas accionadas por acumulador**

**a) Solamente cargar los acumuladores con los cargadores recomendados por el fabricante.** Existe un riesgo de incendio al intentar cargar acumuladores de un tipo diferente al previsto para el cargador.

**b) Solamente emplee los acumuladores previstos para la herramienta eléctrica.** El uso de otro tipo de acumuladores puede provocar daños e incluso un incendio.

**c) Si no utiliza el acumulador, guárdelo separado de clips, monedas, llaves, clavos, tornillos o demás objetos metálicos que pudieran puentear sus contactos.** El cortocircuito de los contactos del acumulador puede causar quemaduras o un incendio.

**d) La utilización inadecuada del acumulador puede provocar fugas de líquido. Evite el contacto con él. En caso de un contacto accidental enjuagar el área afectada con abundante agua. En caso de un contacto con los ojos recurra además inmediatamente a un médico.** El líquido del acumulador puede irritar la piel o producir quemaduras.

**e) No emplee acumuladores o útiles dañados o modificados.** Los acumuladores dañados o modificados pueden comportarse en forma imprevista y producir un fuego, explosión o peligro de lesión.

**f) No exponga un acumulador o una herramienta eléctrica al fuego o a una temperatura demasiado alta.** La exposición al fuego o a temperatura sobre 130 °C puede causar una explosión.

**g) Siga todas las instrucciones para la carga y no cargue nunca el acumulador o la herramienta eléctrica a una temperatura fuera del margen correspondiente especificado en las instrucciones.** Una carga inadecuada o a temperaturas fuera del margen especificado puede dañar el acumulador y aumentar el riesgo de incendio.

**6) Servicio**

**a) Únicamente haga reparar su herramienta eléctrica por un profesional, empleando exclusivamente piezas de repuesto originales.** Solamente así se mantiene la seguridad de la herramienta eléctrica.

**b) No repare los acumuladores dañados.** El entretenimiento de los acumuladores sólo debe ser realizado por el fabricante o un servicio técnico autorizado.

## Instrucciones de seguridad especiales.

**Sujete el aparato por las zonas de agarre aisladas al realizar trabajos en los que el útil pueda tocar conductores eléctricos ocultos.** El contacto con conductores bajo tensión puede hacer que las partes metálicas del aparato le provoquen una descarga eléctrica.

**Utilice unas mordazas u otros dispositivos adecuados para asegurar y soportar convenientemente la pieza sobre una base estable.** Si Ud. solamente sujeta la pieza de trabajo con la mano, o presionándola contra su cuerpo, ésta se encuentra en una posición inestable y puede hacerle perder el control.

**No use accesorios que no hayan sido especialmente desarrollados u homologados por el fabricante de la herramienta eléctrica.** El mero hecho de que sea montable un accesorio en su herramienta eléctrica no es garantía de que su funcionamiento sea seguro.

**Agarre la herramienta eléctrica de forma que el útil nunca pueda tocar su cuerpo, especialmente si el útil empleado como, p. ej., una hoja de sierra o cuchilla, está orientado hacia el área de agarre.** Podría lesionarse al tocar los filos o bordes cortantes.

**Utilice un equipo de protección personal. Dependiendo del trabajo a realizar use una careta, una protección para los ojos, o unas gafas de protección. Si procede, emplee una mascarilla antipolvo, protectores auditivos, guantes de protección o un mandil especial adecuado para protegerle de los pequeños fragmentos que pudieran salir proyectados al desprenderse del útil o pieza.** Las gafas de protección deberán ser indicadas para protegerle de los fragmentos que pudieran salir despedidos al trabajar. La mascarilla antipolvo o respiratoria deberá ser apta para filtrar las partículas producidas al trabajar. La exposición prolongada al ruido puede provocar sordera.

**No oriente la herramienta eléctrica contra Ud. mismo, contra otras personas, ni contra animales.** Podría accidentarse con los útiles afilados o muy calientes.

**Esta prohibido fijar rótulos o señales a la herramienta eléctrica con tornillos o remaches.** Un aislamiento dañado no le protege de una electrocución. Emplee etiquetas autoadhesivas.

**Limpie periódicamente las rejillas de refrigeración de la herramienta eléctrica empleando herramientas que no sean de metal.** El ventilador del motor aspira polvo hacia el interior de la carcasa. En caso de acumularse polvo de metal en exceso, ello puede provocar al usuario una descarga eléctrica.

**Tras trabajar en materiales que contengan yeso: Limpie las rejillas de refrigeración de la herramienta eléctrica y del mando del switch con aire comprimido seco y sin aceite.** De lo contrario, puede que se deposite el polvo de yeso en la carcasa de la herramienta eléctrica y en el mando del switch y endurecerse por efecto de la humedad del aire. Esto puede afectar al funcionamiento del switch.

### Utilización y trato de acumuladores (conjunto acumulador)

**Para no exponerse a un riesgo de quemadura, incendio, explosión, lesiones de la piel o de otro tipo, al manipular acumuladores, atenga-se a las siguientes indicaciones:**

**Los acumuladores no deben desarmarse, abrirse, ni fraccionarse. Evite golpear los acumuladores.** Si el acumulador se daña o usa de forma inapropiada puede que se emanen vapores nocivos o se fugue líquido. Los vapores pueden irritar las vías respiratorias. El líquido del acumulador puede irritar la piel o producir quemaduras.

**Si el líquido que se ha fugado del acumulador ha contaminado las piezas adyacentes, controle dichas piezas y límpielas o sustitúyalas, si procede.**

**No exponga el acumulador ni al calor ni al fuego. No exponga el acumulador directamente al sol.**

**Únicamente saque el acumulador del empaque original en el momento que desee utilizarlo.**

**Desmonte el acumulador antes de manipular en la herramienta eléctrica.** La puesta en marcha fortuita de la herramienta eléctrica puede causar un accidente.

**Solamente desmonte el acumulador estando desconectada la herramienta eléctrica.**

**Mantenga los acumuladores fuera del alcance de los niños.**

**Mantenga limpio el acumulador y protéjalo de la humedad y del agua.** Si los contactos del acumulador y de la herramienta eléctrica están sucios límpielos con un paño seco y limpio.

**Solamente use los acumuladores originales FEIN previstos para su herramienta eléctrica.** Si se utilizan o recargan acumuladores incorrectos, dañados, reparados, recuperados, imitaciones o de otra marca, existe el riesgo de incendio y/o de explosión.

**Aténgase a las instrucciones de seguridad mencionadas en las instrucciones de uso del cargador del acumulador.**

## Tratamiento de materiales en polvo peligrosos.

**⚠ ADVERTENCIA** **Al trabajar con herramientas, p. ej., al lijar, pulir, serrar o realizar otros trabajos con arranque de material, los polvos que se producen pueden ser nocivos para la salud, autoinflamables o explosivos.**

El contacto o inspiración de ciertos materiales en polvo puede provocar en el usuario, o en las personas circundantes, reacciones alérgicas y/o enfermedades respiratorias, cáncer, daños congénitos u otros trastornos reproductivos.

A continuación, indicamos algunos de estos materiales junto con los productos químicos que contienen, cuyo polvo producido al trabajar, puede ser nocivo para la salud:

- Amianto y materiales que contengan amianto;
- Pinturas que contengan plomo, ciertos tipos de madera como, p. ej., haya, encino y roble;
- Minerales y metales;
- Partículas de sílice de ladrillo, concreto y demás materiales que contengan mineral;
- Los solventes que contienen ciertas pinturas;
- Arsénico, cromo y otros conservadores de la madera;
- Materiales para combatir parásitos en cascos de botes o barcos;
- Polvos de acero inoxidable, de metales y de metales no férricos.

Para que la exposición a estos materiales sea mínima:

- Utilice un equipo de aspiración apropiado para el polvo producido.
- Use equipos de protección personal como, por ejemplo, una mascarilla contra polvo con un filtro de la clase P2.
- Observe que esté bien ventilado el puesto de trabajo.

El riesgo derivado de la inspiración de polvo depende de la frecuencia con la que se procesen estos materiales. Los materiales que contengan amianto solamente deberán ser procesados por especialistas.

**⚠ ATENCIÓN** **El polvo de madera y el de aleaciones ligeras puede autoinflamarse o provocar una explosión.**

Si en el saco filtrante o en el filtro del aspirador, el polvo caliente producido al lijar se mezcla con restos de pintura, poliuretano, u otras materias químicas, puede que ésta se autoincendie bajo condiciones desfavorables como, p. ej., el salto de chispas al lijar metales, la exposición permanente y directa al sol, o una temperatura ambiente elevada. Para prevenir esta situación:

- Evite que se sobrecalienten la pieza de trabajo y la herramienta eléctrica.
- Vacíe el depósito de polvo con suficiente antelación.
- Observe las instrucciones de elaboración del fabricante del material.
- Considere las prescripciones vigentes en su país sobre los materiales a trabajar.



## Vibraciones en la mano/brazo.

**⚠ ADVERTENCIA** Al trabajar con esta herramienta eléctrica se producen vibraciones en la mano y el brazo. Ello puede llegar a afectar su salud.

**⚠ ADVERTENCIA** Las vibraciones generadas durante la aplicación actual de la herramienta eléctrica puede ser diferente del valor indicado, según el modo en que sea utilizada la herramienta.

**⚠ ADVERTENCIA** Con el fin de proteger al usuario, es necesario fijar medidas de seguridad en base a una estimación de la exposición resultante bajo las condiciones de uso actuales.

El nivel de vibraciones indicado en estas instrucciones ha sido determinado según el procedimiento de medición fijado en la norma EN 62841 y puede servir como base de comparación con otras herramientas eléctricas. También es adecuado para estimar provisionalmente la solicitación experimentada por las vibraciones.

El nivel de vibraciones indicado ha sido determinado para las aplicaciones principales de la herramienta eléctrica. Por ello, el nivel de vibraciones puede ser diferente si la herramienta eléctrica se utiliza para otras aplicaciones, con útiles diferentes, o si el mantenimiento de la misma fuese deficiente. Ello puede suponer un aumento drástico de la solicitación por vibraciones durante el tiempo total de trabajo.

Para determinar con exactitud la solicitación experimentada por las vibraciones, es necesario considerar también aquellos tiempos en los que el aparato esté desconectado, o bien, esté en funcionamiento, pero sin ser utilizado realmente. Ello puede suponer una disminución drástica de la solicitación por vibraciones durante el tiempo total de trabajo.

Fije unas medidas de seguridad adicionales para proteger al usuario de los efectos por vibraciones, como por ejemplo: Mantenimiento de la herramienta eléctrica y de los útiles, conservar calientes las manos, organización de las secuencias de trabajo.


## Emisión de ruidos y vibraciones (indicación de dos cifras según ISO 4871)

### Emisión de ruido

### AMM 700 MAX (\*\*)

Nivel de de presión sonora $L_{pA}$ (re 20 $\mu$ Pa), medido con filtro A en el puesto de trabajo, en decibelios	73.8
Inseguridad $K_{pA}$ , en decibelios	3.0
Nivel de potencia acústica $L_{WA}$ (re 1 pW), medido con filtro A, en decibelios	84.8
Inseguridad $K_{WA}$ , en decibelios	3.0
Valor pico del nivel de presión sonora $L_{pCpeak}$ medido con filtro C en el puesto de trabajo, en decibelios	88.5
Inseguridad $K_{pCpeak}$ en decibelios	3.0

**OBSERVACIÓN:** la suma de los valores emitidos medidos, considerando la inseguridad respectiva, representa el límite superior que puede alcanzarse en las mediciones.

 ¡Utilizar unos protectores acústicos!

Valores de medición determinados según normativa del producto pertinente.

Vibración	<i>a</i>
Clasificación de los útiles FEIN por clases de vibraciones	Aceleración ponderada*
VC0	< 2.5 m/s <sup>2</sup> < 8 ft/s <sup>2</sup>
VC1	< 5 m/s <sup>2</sup> < 16 ft/s <sup>2</sup>
VC2	< 7 m/s <sup>2</sup> < 23 ft/s <sup>2</sup>
VC3	< 10 m/s <sup>2</sup> < 33 ft/s <sup>2</sup>
VC4	< 15 m/s <sup>2</sup> < 50 ft/s <sup>2</sup>
VC5	> 15 m/s <sup>2</sup> > 50 ft/s <sup>2</sup>
Ka	1.5 m/s <sup>2</sup> 4.92 ft/s <sup>2</sup>
<p>* Estos valores están basados en un ciclo de trabajo con el aparato funcionando en vacío y a plena carga el mismo tiempo. La clase de vibraciones asignada al útil la puede tomar de la hoja adjunta 3 41 30 442 06 0.</p>	

## Utilización reglamentaria de la herramienta eléctrica:








Oscilador para uso con los útiles y accesorios homologados por FEIN sin aportación de agua en lugares cubiertos.

- Para serrar madera, plástico, plástico reforzado con fibra de vidrio o fibra de carbono, para serrar chapas (máx. 1 mm).

- Para desprender juntas de azulejos o para raspar adhesivo de azulejos o restos de moqueta.
- Para lijar y escofinar áreas pequeñas.

## Simbología.

Símbolo	Definición
	¡Seguir las instrucciones indicadas al margen!
	Símbolo de prohibición general. Esta acción está prohibida.
	Es imprescindible leer los documentos que se adjuntan, como las instrucciones de servicio y las instrucciones generales de seguridad.
 	No tocar la hoja de sierra. Peligro debido a útiles afilados de movimiento oscilante.
	Atención a los cantos agudos de los útiles como, p. ej., los filos de las cuchillas.
	Antes de efectuar el trabajo descrito retire primero el acumulador de la herramienta eléctrica. De lo contrario, podría accidentarse al ponerse en marcha fortuitamente la herramienta eléctrica.
	Al trabajar protegerse los ojos.
	Utilice un protector acústico al trabajar.
	Al trabajar protegerse del polvo.
	Al trabajar utilizar una protección para las manos.
	Conexión
	Desconexión
	No cargue baterías defectuosas.
	¡Seguir las instrucciones indicadas al margen!
	Atestigua la conformidad de la herramienta eléctrica con las directivas de la Comunidad Europea.
	Este símbolo confirma que este producto ha sido certificado en USA y Canadá.

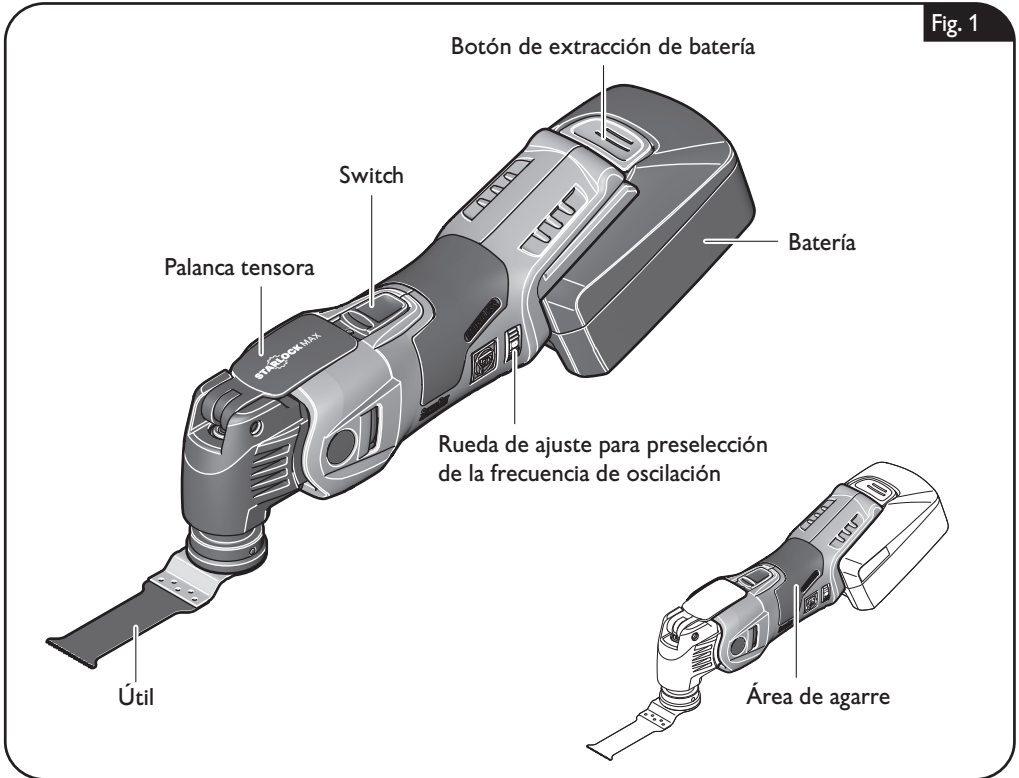
Símbolo	Definición
 PELIGRO	Este símbolo advierte sobre una situación peligrosa inminente. Un comportamiento incorrecto puede dar lugar a una lesión grave o incluso mortal.
 ADVERTENCIA	Este símbolo advierte sobre una situación peligrosa que puede comportar lesiones graves o mortales.
 ATENCIÓN	Este símbolo advierte sobre una situación peligrosa en la que pudiera lesionarse.
 Li-Ion	Símbolo de reciclaje: identificación de materiales reciclables
	Acumular por separado las herramientas eléctricas y demás productos electrotécnicos y eléctricos inservibles y someterlos a un reciclaje ecológico.
	Nº de oscilaciones mínimo
	Nº de oscilaciones máximo
**	Puede contener cifras o letras
(Ax - Zx)	Identificación para fines internos

Símbolo	Unidad nacional	Definición
$n_0$	rpm; /min; $\text{min}^{-1}$ ; r/min	Oscilaciones nominales
$P$	W	Unidad de medida de la potencia
	°	Ángulo de oscilación
$U$	V	Unidad de medida de la tensión eléctrica
$f$	Hz	Unidad de medida de la frecuencia
$I$	A	Unidad de medida de la intensidad
$m$	lbs	Unidad de medida de la masa
$l$	ft, in	Unidad de medida para la longitud, ancho, altura, profundidad, diámetro o roscas
$\emptyset$	ft, in	Diámetro de una pieza redonda
$K_{...}$		Incertidumbre
$a$	$\text{m/s}^2$	Nivel de vibraciones generadas según EN 62841 (suma vectorial de tres direcciones)
	m, s, kg, A, mm, V, W, Hz, N, °C, dB, min, $\text{m/s}^2$	Unidades básicas y unidades derivadas del sistema internacional de unidades <b>SI</b> .



## Descripción técnica y especificaciones.

**⚠ ADVERTENCIA** **Desmonte la batería antes de montar o cambiar los útiles y accesorios.** Esta medida de seguridad preventiva evita los accidentes que pudieran presentarse en caso de una puesta en marcha involuntaria.

El material de serie suministrado con su herramienta eléctrica puede que no corresponda en su totalidad al material descrito o mostrado en estas instrucciones de servicio.



<b>Tipo</b>	<b>AMM 700 MAX (**)</b>
Nº de referencia	7 129 ...
Oscilaciones nominales	10000 – 19500 rpm
Amplitud	2 x 2.0°
Peso según EPTA-Procedure 01	2.4 lbs (1.1 kg)

<b>Tipo</b>	<b>B18A</b>	<b>B18A</b>
		
Tipo de batería	iones-Litio (Li-Ion)	iones-Litio (Li-Ion)
Tensión nominal	18 V <sub>---</sub>	18 V <sub>---</sub>
Peso según EPTA-Procedure 01 (Batería)	1.0 lbs (0.45 kg)	1.5 lbs (0.70 kg)
Cargador	ALG 30, ALG 50, ALG 80 (**)	

## Instrucciones de montaje.

**⚠ ADVERTENCIA** **Desmonte la batería antes de montar o cambiar los útiles y accesorios.** Esta medida de seguridad preventiva evita los accidentes que pudieran presentarse en caso de una puesta en marcha involuntaria.

### Desmontaje y carga de la batería (Figura 2).

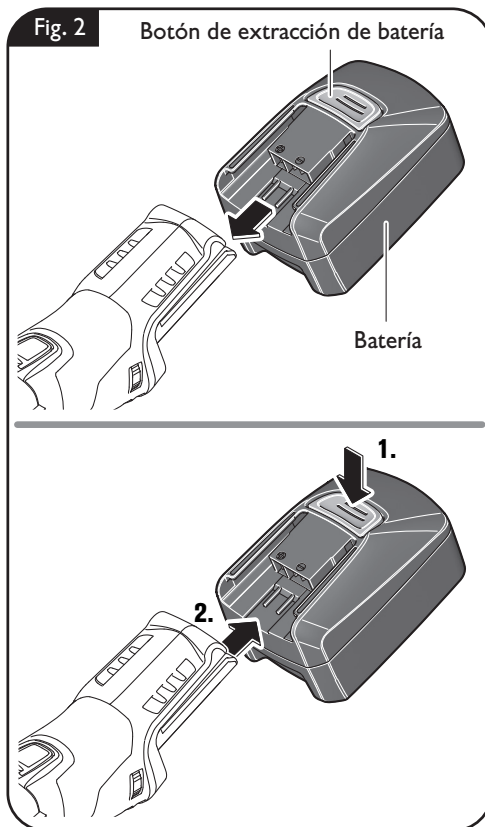
❗ Lea las instrucciones de uso del cargador antes de cargar por primera vez la batería.

❗ Antes de la puesta en marcha, cargue completamente la batería.

Libere la batería presionando el botón de extracción y sáquela hacia delante de la agarradera. No proceda con brusquedad.

Conecte el cargador al enchufe, inserte en éste la batería y cargue la batería. Una vez finalizado el proceso de carga monte la batería en la herramienta eléctrica y saque la clavija del cargador del enchufe.

Una batería nueva alcanza su plena potencia después de haber sido cargada y descargada varias veces.



## Trato del acumulador.

Guarde, utilice y cargue la batería dentro del rango de operación de 5°C a 45°C (41°F a 113°F), y cárguela exclusivamente con cargadores FEIN. Al comenzar a cargar la batería, su temperatura deberá estar dentro del rango especificado para su operación.

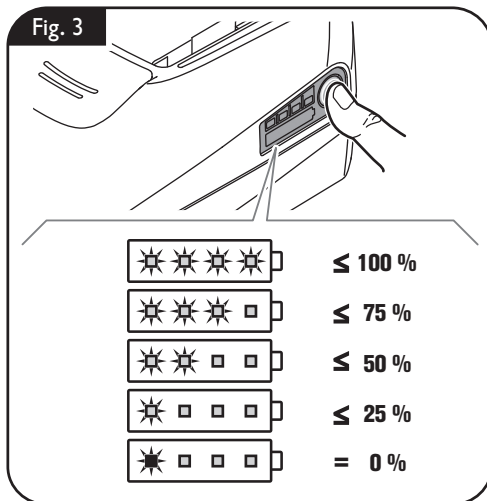
## Indicador del estado de carga de la batería (Figura 3).

Pulse la tecla para activar el indicador LED.

Indicador LED	Significado	Acción
1 – 4 LED verdes	Nivel porcentual de carga	Operación
Luz roja permanente	Acumulador casi vacío	Cargar acumulador
Luz roja intermitente	El acumulador no está listo para funcionar	Procure que la temperatura del acumulador se encuentre dentro del margen de operación, y cárguelo a continuación

El porcentaje del estado de carga real del acumulador solamente se indica estando detenido el motor de la herramienta eléctrica.

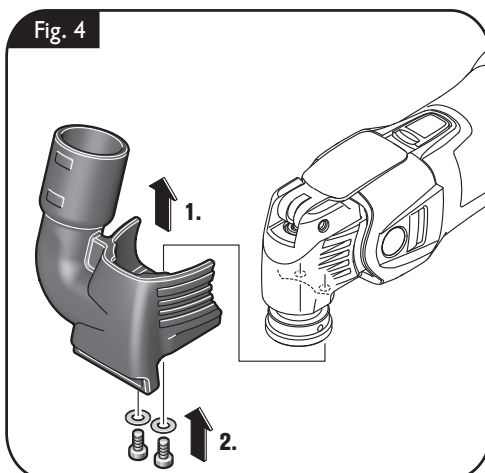
Antes de que el acumulador llegue a descargarse excesivamente, el sistema electrónico desconecta el motor de forma automática.





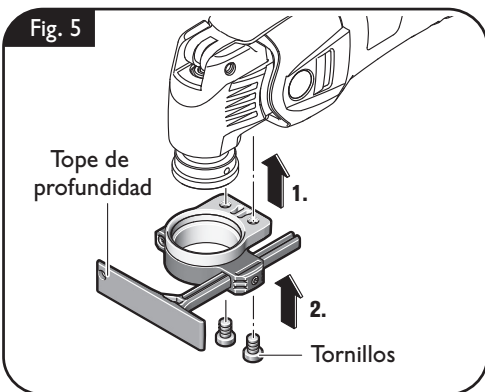
### Dispositivo de aspiración de polvo (reparación de juntas) (Figura 4).

Monte el dispositivo de aspiración de polvo.  
Conecte un aspirador.



### Montaje del tope de profundidad (Figura 5).

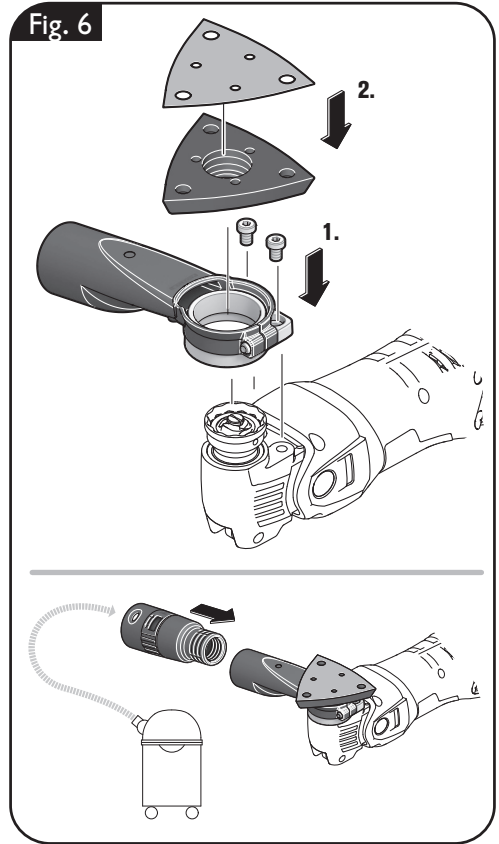
Fije el tope de profundidad a la parte inferior del cabezal de engranes con los 2 tornillos.



## Dispositivo de aspiración de polvo (Figura 6).

Monte el dispositivo de aspiración de polvo.  
A continuación, monte la hoja de lijar deseada.

Conecte un aspirador.



## Instrucciones de montaje.

**⚠ ADVERTENCIA** **Desmonte la batería antes de montar o cambiar los útiles y accesorios.** Esta medida de seguridad preventiva evita los accidentes que pudieran presentarse en caso de una puesta en marcha involuntaria.

**⚠ ATENCIÓN** **En todos los trabajos, y al cambiar los útiles, use siempre unos guantes de protección.** Existe el peligro de lesionarse con los bordes afilados de los útiles.  
 ¡Existe el riesgo a quemarse con los útiles, ya que éstos pueden ponerse muy calientes al trabajar!

### Cambio de útil.

**⚠ ATENCIÓN** **No conecte la herramienta eléctrica estando abierta la palanca de sujeción.** Podría lastimarse la mano o los dedos.

**⚠ ATENCIÓN** **No mueva la palanca de sujeción con la máquina en marcha.** En caso contrario podría lesionarse.

**⚠ ATENCIÓN** **No toque las mordazas de fijación ni cerca de ellas.** Podría lastimarse los dedos.

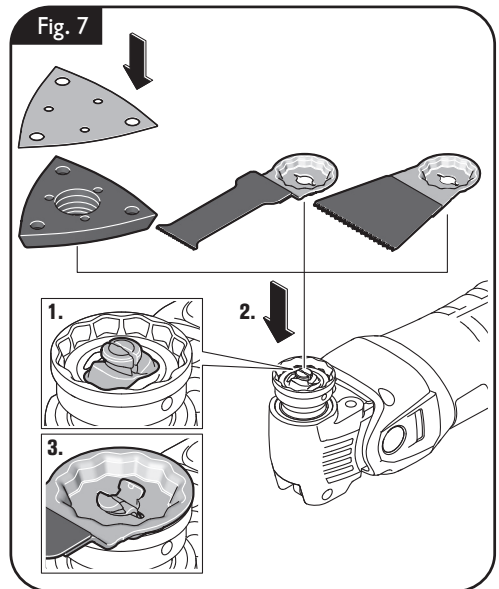
**⚠ ATENCIÓN** **¡No deje funcionar la herramienta eléctrica con las mordazas de fijación abiertas sin tener montado el útil!** La herramienta eléctrica se podría dañar.

**⚠ ATENCIÓN** **Si quiere montar el útil y ve que están abiertas las mordazas de fijación, empuje hacia adelante y jale después hacia atrás la palanca de fijación.** Las mordazas de fijación están ahora cerradas. El útil puede montarse.

### Montaje del útil (Figura 7).

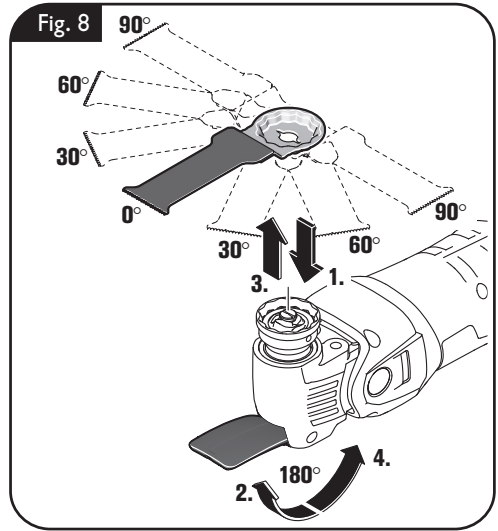
Limpie el portaútiles y el útil.

En la posición de partida están juntas (cerradas) las mordazas de fijación del portaútiles. En esta posición puede montarse fácilmente el útil presionándolo hacia dentro.



### Posicionamiento del útil (Figura 8).

El útil puede girarse en pasos de  $30^\circ$  y sujetarse en la posición de trabajo más favorable.



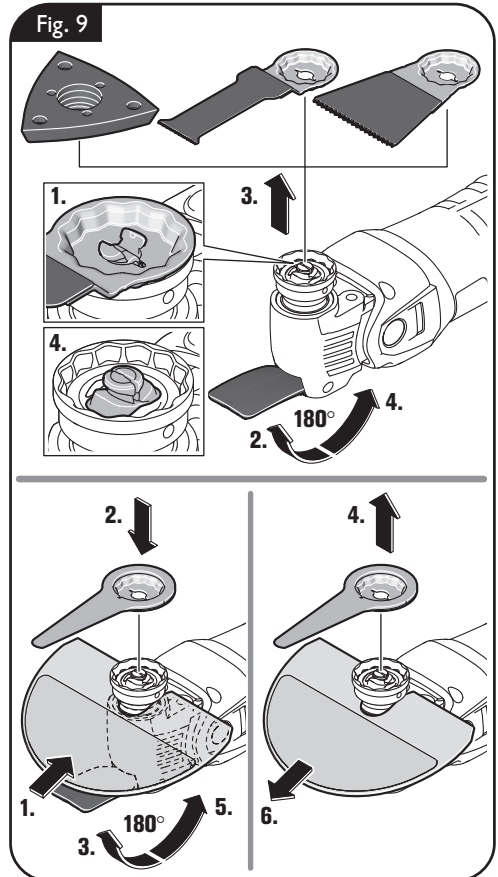
### Desmontaje del útil (Figura 9).

Para lograr la posición de partida de las mordazas de fijación y poder sacar el útil, empujar hasta el tope hacia delante y jalar después hacia atrás la palanca de fijación, para aflojar el útil.

Observe que el útil no quede inclinado al alzarlo en el portáutiles.

**⚠ ATENCIÓN** Utilice la cubierta 3 21 74 011 00 0 al cambiar un útil de filos cortantes para no lesionar sus brazos/manos.

**👤** En todos los trabajos, y al cambiar los útiles, use siempre unos guantes de protección. Existe el peligro de lesionarse con los bordes afilados de los útiles. ¡Existe el riesgo a quemarse con los útiles, ya que éstos pueden ponerse muy calientes al trabajar!



## Instrucciones para la operación.

**⚠ ADVERTENCIA** **Desmonte la batería antes de montar o cambiar los útiles y accesorios.** Esta medida de seguridad preventiva evita los accidentes que pudieran presentarse en caso de una puesta en marcha involuntaria.

**No aplique accesorios que no hayan sido especialmente previstos o recomendados por FEIN para esta herramienta eléctrica.** La utilización de accesorios que no sean originales FEIN provocan un sobrecalentamiento y deterioro de la herramienta eléctrica.

**⚠ ATENCIÓN** Solamente use los útiles que FEIN haya previsto y autorizado para el trabajo que vaya a realizar.

### Conexión y desconexión (Figura 10).

**⚠ ATENCIÓN** **Siempre sujete firmemente la herramienta eléctrica.** En caso contrario podría perder el control sobre la herramienta eléctrica.

La protección contra re arranque evita que la herramienta eléctrica se ponga a funcionar automáticamente al insertar la batería teniendo accionado el interruptor.

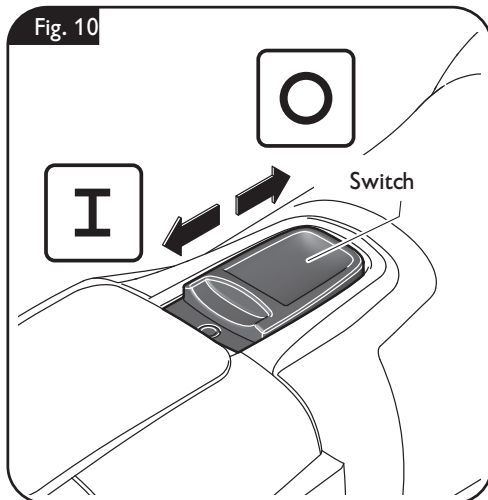
**👉 Solamente aproxime la herramienta eléctrica conectada contra la pieza de trabajo.**

#### Conexión:

Empuje el switch hacia delante (I).

#### Desconexión:

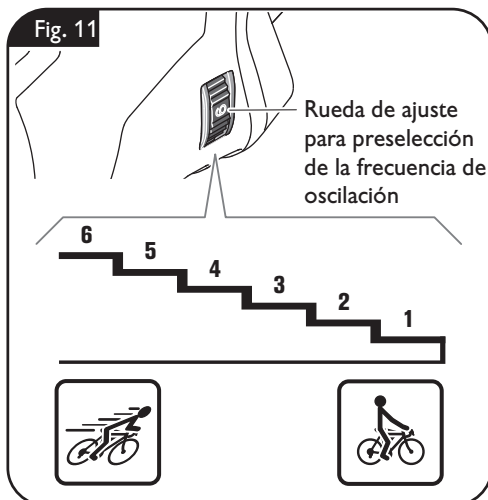
Empuje el switch hacia atrás (O).



### Ajuste de la frecuencia de oscilación (Figura 11).

La frecuencia de oscilación se fija de forma continua con la rueda de ajuste.

Seleccione en la rueda de ajuste una posición entre "1" (revoluciones mínimas) y "6" (revoluciones máximas).



### **Indicaciones para lijado.**

Presione con firmeza la hoja de lijar montada en la herramienta eléctrica contra una superficie plana y conecte brevemente la herramienta eléctrica. De esta manera se obtiene una buena adherencia y se evita un desgaste prematuro.

La hoja de lija puede desprenderse y montarse girada en  $120^\circ$  si sólo se ha desgastado una de sus puntas.

Trabaje apoyando completamente la placa de lijar y no sólo la punta.

Al lijar con placas de lijar triangulares pequeñas ajuste un velocidad elevada (etapa de velocidad entre 4 – 6), si utiliza el plato lijador o la placa de lijar triangular grande seleccione una velocidad mediana (ajuste como máx. la etapa 4).

Lije con continuo movimiento y ejerciendo leve presión. Una presión excesiva no aumenta el arranque de material sino el desgaste de la hoja de lija.

### **Indicaciones para serrado.**

Ajuste unas oscilaciones altas. Las hojas de sierra circulares pueden aflojarse y volverse a sujetar en una nueva posición para hacer que se desgasten por igual.

Si se aplica demasiada fuerza al trabajar la velocidad va disminuyendo automáticamente hasta 0 y vuelve a aumentar al reducir la presión.

### **Indicaciones para raspado.**

Ajuste unas oscilaciones medianas a altas.

## Reparación y servicio técnico.

**⚠ ADVERTENCIA** **Desmonte la batería antes de montar o cambiar los útiles y accesorios.** Esta medida de seguridad preventiva evita los accidentes que pudieran presentarse en caso de una puesta en marcha involuntaria.

### Piezas sustituibles.

Si fuese preciso, puede sustituir Ud. mismo las piezas siguientes:

Útiles

### Servicio técnico.

**⚠ ADVERTENCIA** **Únicamente deje realizar los trabajos de mantenimiento por un profesional.** Las líneas y componentes mal montados pueden suponer un grave peligro. Deje efectuar el servicio requerido por un servicio técnico FEIN.

Los productos que hayan tenido contacto con asbesto no se harán reparar. Deseche los productos contaminados con asbesto de acuerdo a las prescripciones vigentes en su país sobre la eliminación de residuos que contengan asbesto.

La lista de piezas de refacción actual para esta herramienta eléctrica la encuentra en internet bajo [www.fein.com](http://www.fein.com).

Solo emplee refacciones originales.

### Limpieza.

**⚠ ADVERTENCIA** **Desmonte la batería antes de realizar trabajos de mantenimiento y limpieza.** Esta medida de seguridad preventiva evita los accidentes que pudieran presentarse en caso de una puesta en marcha involuntaria.

**⚠ ADVERTENCIA** **Al trabajar en ambientes cargados con polvo conductor de corriente, p. ej., en lugares que procesen metales, este polvo puede llegar a depositarse en el interior de la herramienta eléctrica. Por ello, sople con regularidad desde afuera aire comprimido seco por las rejillas de refrigeración para limpiar el interior de la herramienta eléctrica; utilice siempre unos lentes de protección.**

**⚠ ATENCIÓN** No intente limpiar las rejillas de refrigeración de la herramienta eléctrica con objetos metálicos en punta, emplee para ello objetos que no sean de metal.

**⚠ ATENCIÓN** **No aplique agentes de limpieza ni disolventes que pudieran atacar a las piezas de plástico.**

Algunos de estos agentes son: gasolina, tetracloruro de carbono, disolventes clorados, amoníaco y detergentes domésticos que contengan amoníaco.

Al trabajar materiales que contengan yeso se puede llegar a depositar su polvo en la carcasa de la herramienta eléctrica y en el mando del switch y endurecerse por efecto de la humedad del aire. Esto puede afectar al funcionamiento del switch. Sople con frecuencia con aire comprimido seco y sin aceite el mando del switch, así como el interior de la herramienta eléctrica por las rejillas de refrigeración.

## Garantía.

La garantía del producto se realiza de acuerdo a las regulaciones legales vigentes en el país de adquisición. Adicionalmente, FEIN ofrece una garantía ampliada de acuerdo con la declaración de garantía del fabricante FEIN.

El material de serie suministrado con su herramienta eléctrica puede que no corresponda en su totalidad al material descrito o mostrado en estas instrucciones de servicio.

## Protección del medio ambiente, eliminación.

Los embalajes, y las herramientas eléctricas y accesorios inservibles deberán entregarse a los puntos de recogida correspondientes para que puedan ser sometidos a un reciclaje ecológico. Únicamente entregue acumuladores que estén descargados a un punto de recogida regularizado.

Si los acumuladores no estuviesen totalmente descargados aisle sus contactos con cinta adhesiva para prevenir un posible cortocircuito.

Informaciones adicionales al respecto las obtiene en su comercio especializado habitual.

## Transport

Los acumuladores de iones de litio incorporados están sujetos a los requerimientos estipulados en la legislación sobre mercancías peligrosas. Los acumuladores pueden ser transportados por carretera por el usuario sin más imposiciones.

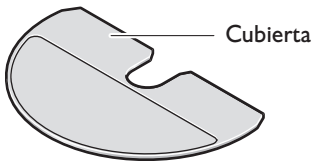
En el envío por terceros (p. ej., transporte aéreo o por agencia de transportes) deberán considerarse las exigencias especiales en cuanto a su embalaje e identificación. En este caso deberá recurrirse a los servicios de un experto en mercancías peligrosas al preparar la pieza para su envío.

Solo envíe baterías cuya carcasa no esté dañada y que no pierdan líquido. Asegúrese que los contactos de la batería no puedan llegar a cortocircuitarse. Emplee el empaque original. Empaque la batería de manera que no pueda moverse dentro del empaque.

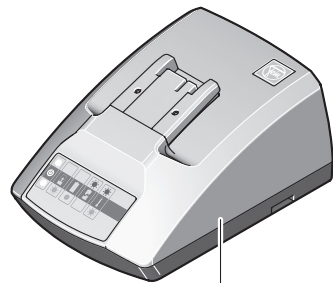
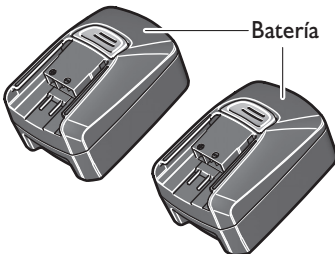
Observe también las prescripciones adicionales que pudieran existir al respecto en su país.

## Accesorios (Figura 12).

Fig. 12



3 21 74 011 00 0







### **USA**

FEIN Power Tools, Inc.  
1000 Omega Drive  
Suite 1180  
Pittsburgh, PA 15205  
Phone: 800-441-9878  
[www.feinus.com](http://www.feinus.com)

### **Canada**

FEIN Canadian Power Tool Company  
323 Traders Boulevard East  
Mississauga, Ontario L4Z 2E5  
Telephone: (905) 8901390  
Phone: 1-800-265-2581  
[www.fein.com](http://www.fein.com)

### **FEIN Service**

FEIN Power Tools, Inc.  
2735 Hickory Grove Road  
Davenport, IA 52804  
Phone: 800-441-9878  
[magdrillrepair@feinus.com](mailto:magdrillrepair@feinus.com)

### **Headquarter**

C. & E. Fein GmbH  
Hans-Fein-Straße 81  
D-73529 Schwäbisch Gmünd-Bargau  
[www.fein.com](http://www.fein.com)

