

# Universal Lathe Stand & Extension

## For Mini & Midi Lathes



Stand Shown with Optional Extension

# Assembly Instructions

Record the date of purchase in your manual for future reference.

Date of purchase: \_\_\_\_\_

For technical support or parts questions, email [techsupport@rikontools.com](mailto:techsupport@rikontools.com) or call toll free at (877)884-5167

## TABLE OF CONTENTS

Specifications.....	2
Unpacking and Contents.....	3
Assembling the Base to the Column.....	4
Installing the Extension Supports to the Base and Column Assembly.....	4
Connecting and Adjusting the Extension Supports.....	5
Adjustments: Determining Proper Lathe Height.....	5
Adjusting for Lathe Length.....	6
Leveling the Lathe Stand.....	6
Maintenance.....	6
Installing the Optional Lathe Stand Extension.....	7
Parts Diagram & Parts List for the 70-920 Lathe Stand.....	8
Parts Diagram & Parts List for the 70-913 Stand Extension.....	8

## SPECIFICATIONS

### UNIVERSAL MINI LATHE STAND

<b>Model Number</b>	<b>70-920</b>
Width .....	6" to 7-11/16"
Length.....	23-1/4" to 37-1/4"
Length With Extension.....	42" to 69-1/2"
Working Height.....	24-1/2" to 34-1/2"
Base Length.....	27-3/8" to 39-3/8"
Base Width.....	24-1/4"
Plate Dimension (L x W) .....	6-1/2" x 8-1/2"
Weight Capacity.....	220 lbs

### UNIVERSAL LATHE STAND EXTENSION

<b>Model Number</b>	<b>70-913</b>
Width .....	6" to 7-11/16"
Length.....	18-3/4" to 32-1/4"
Working Height.....	24-1/2" to 34-1/2"
Base Length.....	27-3/8" to 39-3/8"
Base Width.....	24-1/4"
Plate Dimension (L x W) .....	6-1/2" x 8-1/2"
Weight Capacity.....	110 lbs

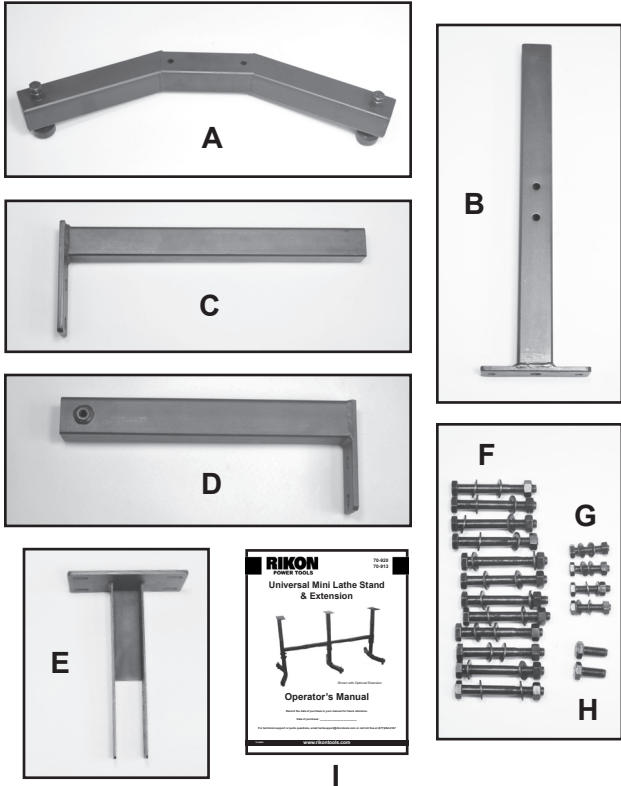
\* Length measurements are approximate, taken from the top plates' outside edge to outside edge.

**NOTE:** The specifications, photographs, drawings and information in this manual represent the current model when the manual was prepared. Changes and improvements may be made at any time, with no obligation on the part of Rikon Power Tools, Inc. to modify previously delivered units. Reasonable care has been taken to ensure that the information in this manual is correct, to provide you with the guidelines for the proper safety, assembly and operation of these products.

# CONTENTS OF PACKAGE

## Unpacking and Checking Contents

Unpack your lathe stand from its carton and check to see that you have all of the following items. Do not use this stand if any of these items are missing. You may cause injury to yourself or damage to your machine.



## Carton Contents

Item	Description	70-920	70-913
		Qty	Qty
A	Base & Foot Assembly.....	2	1
B	Column.....	2	1
C	Extension Support (Inside).....	1	1
D	Extension Support (Outside).....	1	1
E	Mounting Bracket & Top Plate .....	2	1
Hardware Pack			
F	Hex Bolt M10x80.....	12	6
	Washer 10.5.....	24	12
	Hex Nut M10.....	12	6
G	Hex Bolt M8x35 .....	4	2
	Washer 8 .....	8	4
	Hex Nut M8 .....	4	2
H	Hex Bolt M10x25.....	2	2
I	Manual .....	1	1

## Tools Required for Assembly



### Description

Two (2) 16mm or Adjustable Wrenches

## Unpacking and Clean-up

- Carefully remove all contents from the shipping carton. Compare the contents with the list of contents to make sure that all of the items are accounted for, before discarding any packing material. Place parts on a protected surface for easy identification and assembly. If any parts are missing or broken, please call RIKON Customer Service at 877-884-5167 as soon as possible for replacements.
- Report any shipping damage to your local distributor. Take photographs for any possible insurance claims.
- Set packing material and shipping carton aside. Do not discard the packing material until the stand has been set up.

### CALIFORNIA PROPOSITION 65 WARNING:



**WARNING:** Drilling, sawing, sanding or machining wood products can expose you to wood dust, a substance known to the State of California to cause cancer. Avoid inhaling wood dust or use a dust mask or other safeguards for personal protection. For more information go to [www.P65Warnings.ca.gov/wood](http://www.P65Warnings.ca.gov/wood).

# ASSEMBLY

## Assembling the Base to the Column

1. Locate one Base (Part #14) and one Column (#5).
2. Install two Hex Bolts (#18) and two Washers (#10) through the column's lower flange and into the Base.
3. Add two Washers (#10) and two Hex Nuts (#9) to the bolts underneath the base, to secure the column in place. FIG. 1.
4. Repeat steps 1-3 to complete the second Base and Column assembly.



FIG. 1

## Installing the Extension Supports to the Base and Column Assembly

1. Make sure that the curved feet of both base and column assemblies are pointing outward, away from each other.
2. Assemble the Inside Extension Support Bracket (#6) to the inside of the left Base and Column assembly.
  - Install two Bolts (#18) and two Washers (#10) through the Column and into the Inside Extension Support Bracket flange.
  - Add two Washers (#10) and two hex Nuts (#9) to the bolts through the flange of the Inside Extension Support Bracket to fix the support in place. FIG. 2.

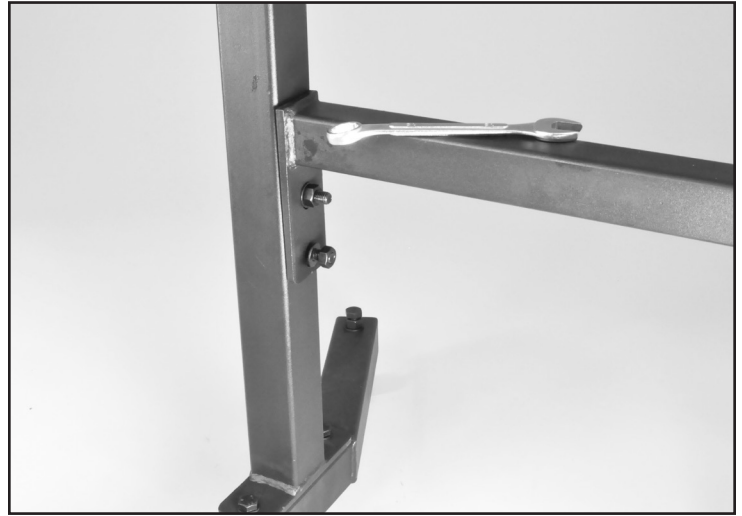


FIG. 2

3. Like in step 2 above, assemble the Outside Extension Support Bracket (#8) to the inside of the right Base and Column assembly. The Outside Extension is larger in size than the Inside Extension, and has 2 nuts welded to the open end.
  - Install two Bolts (#18) and two Washers (#10) through the Column and into the Outside Extension Support Bracket flange.
  - Add two Washers (#10) and two hex Nuts (#9) to the bolts through the flange of the Outside Extension Support bracket to fix the support in place. FIG. 3.



FIG. 3

## ASSEMBLY

### Connecting and Adjusting the Extension Supports

1. Slip the Inside Extension Support bracket (#6) into the Outside Extension Support bracket (#8).
2. Add two Bolts (#7) to the welded hex Nuts that are located on the Outside Extension Support bracket (#8). FIG. 4, A.
3. Only hand-tighten the nuts at this point. Secure the nuts after the length of the mini-lathe has been determined. See page 6.

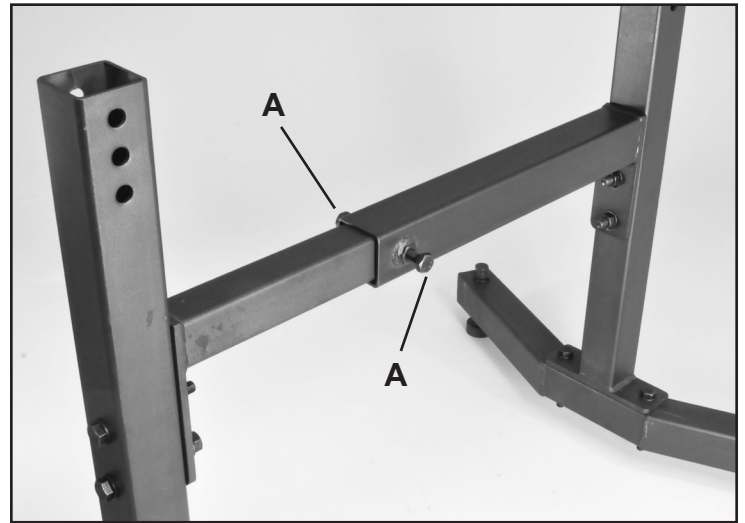


FIG. 4

## ADJUSTMENTS

### Determining the Proper Lathe Height

1. Install the Mounting Brackets (#3) onto the top of both Columns (#5) using two Bolts (#18) and two Washers (#10). FIG. 5.

Add two Washers (#10) and two hex Nuts (#9) to the bolts. Hand-tighten the nuts at this point, until the proper lathe height has been determined in steps 2-4 below.

2. First, measure the distance from the base of the lathe to the point on the live center. FIG. 6.
3. Next, with your arm bent at 90°, measure the distance from your elbow to the floor.
4. Subtract the lathe height measurement from the elbow height measurement. This number represents the approximate height that the top plate (#3) should be set on your lathe stand.

**Example:** 45" (elbow to floor) - 14.5" (base to live center) = 30.5" (stand height).



FIG. 5

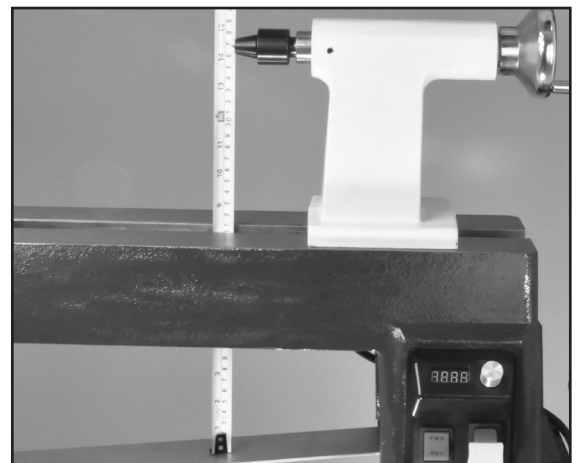


FIG. 6

## ADJUSTMENTS

### Adjusting for Lathe Length

The 70-920 Lathe Stand can be adjusted in length to support a variety of makes, models and lengths of mini and midi lathes. See page 2 for information on the expansion lengths of the stand.

1. Measure the length of your lathe from center of one bolt hole, to the center of the other bolt hole.
2. Loosen the two locking Bolts (#7) on the Outside Extension Support (#8). Slide the Column Supports inward or outward to the desired length, measuring from the holes in the right Mounting Bracket plate (#3) to the holes in the left Mounting Bracket top plate.
3. Once the length has be set, tighten the two locking Bolts (#7) that were loosened in step 2. FIG. 7.



FIG. 7

### Leveling the Lathe Stand

1. On the Base, loosen the Foot's locking Hex Nut (#12) that is set on the Hex Bolt (#11). An adjustable or 18mm wrench is required for this.
2. Adjust the leveling Hex Bolt and Foot to the desired height, leveling the stand.
3. Once set, tighten down the locking Hex Nut to retain the adjustment. FIG. 8.

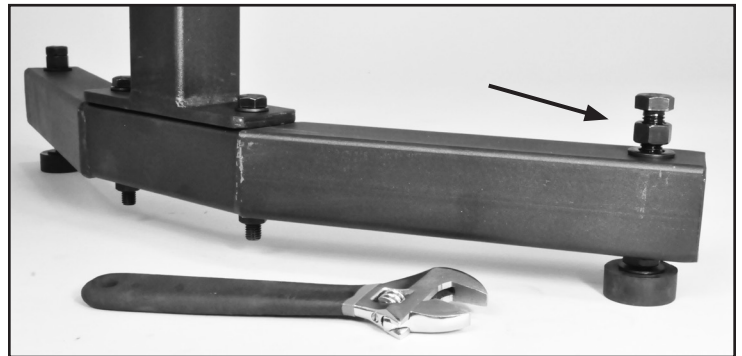


FIG. 8

**NOTE:** For permanently securing the lathe stand to the floor, the Foot Assemblies can be removed from the Base. Level the stand with shims, washers, etc., and then fasten it in place to the floor with lag bolts, or other fasteners (not included) through the holes in the base.

## MAINTENANCE

**CAUTION! BEFORE CLEANING OR CARRYING OUT MAINTENANCE WORK, DISCONNECT THE LATHE FROM THE POWER SOURCE (WALL SOCKET). NEVER USE WATER OR WATER BASED PRODUCTS TO CLEAN THE LATHE STAND.**

1. Periodically check all of the stand bolts and tighten when necessary.
2. Make sure that the lathe stand is level and secure before any turning begins.
3. Remove all saw dust and chips from the lathe stand after each use.

# ASSEMBLY

## Optional Stand Extension 70-913

### Installing the Optional Lathe Stand Extension

The Lathe Stand Extension is typically used to support a lathe that has been elongated with a bed extension. However, it has a variety of other uses such as supporting an accessory table (not included) to hold turning tools, sandpaper, finishing materials, a grinder or sharpening system.

1. Start assembling the Stand Extension by repeating the steps in “Assembling the Base to the Column” located on page 4.

2. Repeat the steps in “Installing Extension Supports to the Base and Column Assembly”, also on page 4.

3. Loosen and remove the two hex nuts (#9), washers (#10) and Bolts (#18) from the lathe stand’s Column Support (#5) on the stand’s right side.

4. Install the Stand Extension’s Inside Extension Support bracket (#6) onto the outside of the lathe stand’s Column Support. FIG. 9. The two Bolts (#18) of the stand will connect both the stand’s Outside Support bracket (#8) and the Extension Stand’s Inside Support bracket (#6) together at the same time.

5. Repeat the steps in “Connecting and Adjusting the Extension Supports” located on page 5, to re-assemble the lathe stand.

6. Repeat the steps in “Determining Proper Lathe Height”, also on page 5, for the lathe stand.

7. Next, adjust for the lathe bed distance, following the instructions in “Adjusting for Lathe Length” on page 6. The Lathe Stand should now be properly adjusted, again, to hold your lathe.

8. Connect the lathe Stand Extension to the stand by using the hardware provided. FIG. 10.

9. Determine and set the Stand Extension height to match the height of the Stand. See page 5.



FIG. 9



FIG. 10

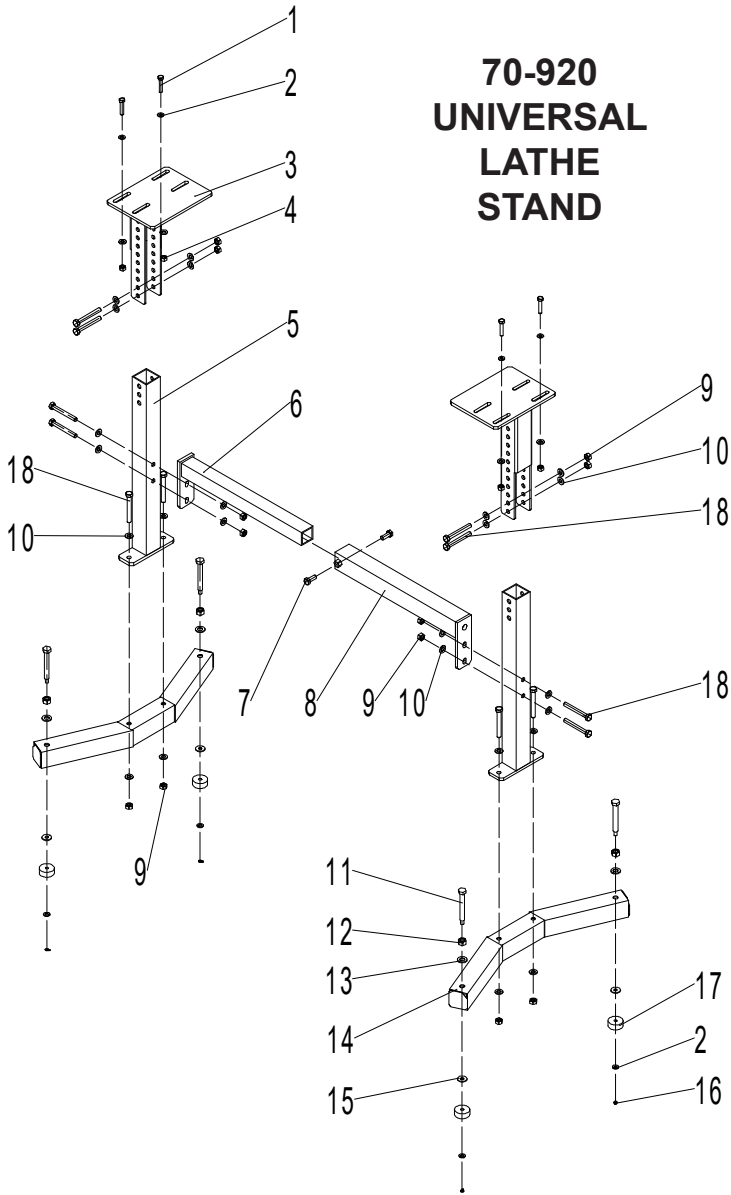
10. Measure and set the Stand Extension distance from the right end of the lathe Stand to accommodate the Bed Extension that is attached to the right end of the lathe. See page 6.

11. Level the Stand Extension by following the instructions also found on page 6.

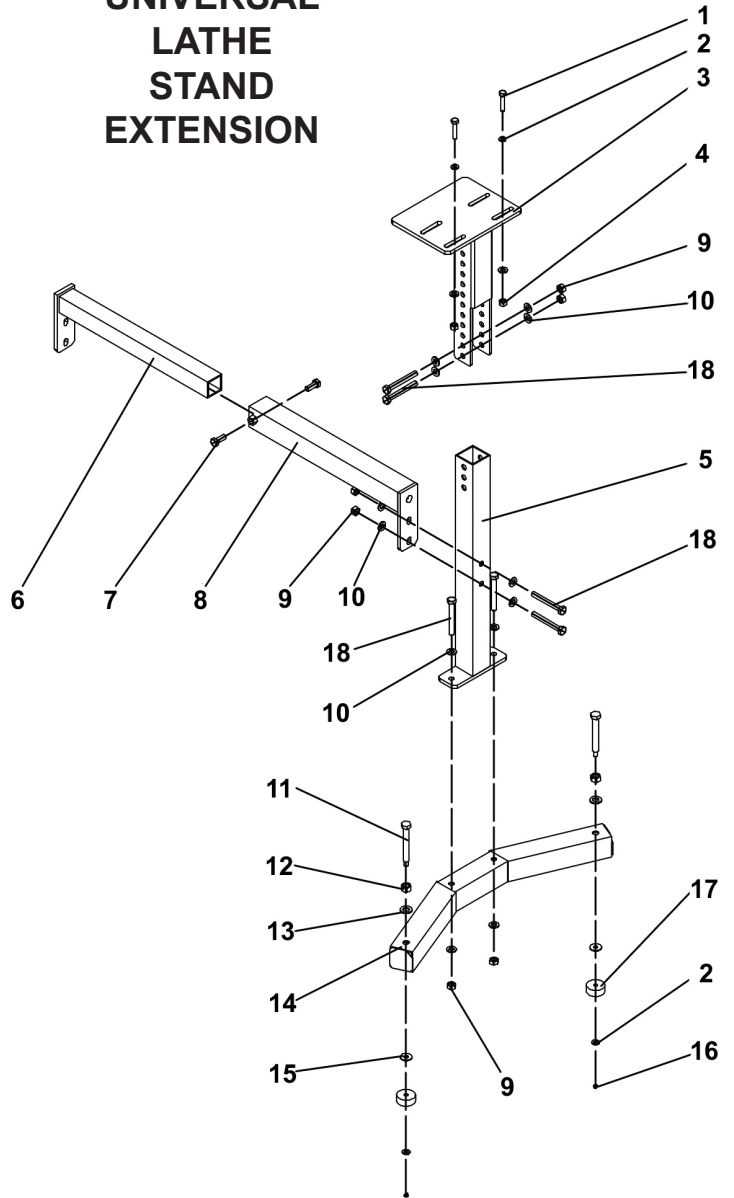
12. The Stand with Stand Extension is now set to mount the lathe with its lathe bed extension using the supplied mounting hardware (#1, 2, 3 & 4). **NOTE:** If the pre-bored holes in the Mounting Bracket Plates do not match the holes in your bed extension or machine, the steel plates can be bored to make new holes specific to your needs.

## PARTS DIAGRAM for the 70-920 and 70-913

### 70-920 UNIVERSAL LATHE STAND



### 70-913 UNIVERSAL LATHE STAND EXTENSION



**NOTE:** Please reference the Manufacturer's Part Number when calling for Replacement Parts.  
For Parts under Warranty, the Serial Number of your machine is required.

## PARTS LIST for the 70-920 and 70-913

KEY NO.	DESCRIPTION	MFG. PART NO.	KEY NO.	DESCRIPTION	MFG. PART NO.
1	Hex Bolt M8x35	P70-910-1	10	Washer 10.5	P70-910-10
2	Washer 8	P70-910-2	11	Hex Bolt M12x96	P70-910-11
3	Top Plate & Bracket	P70-910-3	12	Hex Nut M12x1.75	P70-910-12
4	Hex Nut M8	P70-910-4	13	Washer 13	P70-920-13
5	Column	P70-910-5	14	Base	P70-920-14
6	Support Bar (inside)	P70-910-6	15	Washer 8.5	P70-920-15
7	Hex Bolt M10x25	P70-910-7	16	Retaining Ring 8	P70-910-16
8	Support Bar (outside)	P70-910-8	17	Foot	P70-910-17
9	Hex Nut M10	P70-910-9	18	Hex Bolt M10x80	P70-910-18