



Operating Instructions and Parts Manual 14-inch Woodworking Band Saw

Model JWBS-14SFX



For serial no. 23028015 and higher

JET
427 New Sanford Road
LaVergne, Tennessee 37086
Ph.: 800-274-6848
www.jettools.com

Part No. M-714401
Edition 9 06/2023
Copyright © 2021 JET




1.0 IMPORTANT SAFETY INSTRUCTIONS


WARNING – To reduce risk of injury:

1. Read and understand entire owner's manual before attempting assembly or operation.
2. Read and understand the warnings posted on the machine and in this manual. Failure to comply with all of these warnings may cause serious injury.
3. Replace warning labels if they become obscured or removed.
4. This band saw is designed and intended for use by properly trained and experienced personnel only. If you are not familiar with the proper and safe operation of a band saw, do not use until proper training and knowledge have been obtained.
5. Do not use this band saw for other than its intended use. If used for other purposes, JET disclaims any real or implied warranty and holds itself harmless from any injury that may result from that use.
6. Always wear approved safety glasses/face shield while using this machine. (Everyday eyeglasses only have impact resistant lenses; they are not safety glasses.)
7. Before operating band saw, remove tie, rings, watches and other jewelry, and roll sleeves up past the elbows. Remove all loose clothing and confine long hair. Non-slip footwear or anti-skid floor strips are recommended. Do not wear gloves.
8. Keep work area clean. Cluttered areas and benches invite accidents.
9. Use proper extension cord. Make sure your extension cord is in good condition. When using an extension cord, be sure to use one heavy enough to carry the current your product will draw. An undersized cord will cause a drop in line voltage resulting in loss of power and overheating. Sect. 6.3, Table 1 shows the correct size to use depending on cord length and nameplate ampere rating. If in doubt, use the next heavier gage. The smaller the gage number, the heavier the cord.
10. Secure work. Use clamps or a vise to hold work when practical. It's safer than using your hand and it frees both hands to operate tool.
11. Disconnect tools before servicing; when changing accessories, such as blade, bits, cutters and the like.
12. Direction of feed: Feed work into a blade or cutter against the direction of rotation of the blade or cutter only.
13. Maintain proper adjustment of blade tension, blade guides, and thrust bearings.
14. Adjust upper blade guides to just clear workpiece (approximately 1/8").
15. Make sure blade tension, tracking and blade guides are all properly adjusted.
16. Make relief cuts where possible, when cutting curved stock.
17. When feeding small work pieces into blade, always use push stick, fixture, or similar device to keep hands at a safe distance.
18. Hold stock firmly and flat against table.
19. Wear ear protectors (plugs or muffs) during extended periods of operation.
20. Do not operate this machine while tired or under the influence of drugs, alcohol or any medication.
21. Make certain switch is in OFF position before connecting machine to power supply.
22. Make certain machine is properly grounded.
23. Do not back stock out of blade while blade is running.
24. Do not remove jammed cutoff pieces until blade has stopped.
25. Remove adjusting keys and wrenches. Form a habit of checking to see that keys and adjusting wrenches are removed from the machine before turning it on.
26. Keep safety guards in place at all times when machine is in use. If removed for maintenance purposes, use extreme caution and replace the guards immediately after completion of maintenance.
27. Check damaged parts. Before further use of machine, a guard or other part that is damaged should be carefully checked to determine that it will operate properly and perform its intended function. Check for alignment of moving parts, binding of moving parts, breakage of parts, mounting and any other conditions that may affect its operation. A guard or other part that is damaged should be properly repaired or replaced.
28. Keep floor around machine clean and free of scrap material, oil, and grease.

29. Keep visitors a safe distance from work area. Keep children away.
30. Make your workshop child proof with padlocks, master switches or by removing starter keys.
31. Give your work undivided attention. Looking around, carrying on a conversation and “horse-play” are careless acts that can result in serious injury.
32. Maintain a balanced stance at all times so that you do not fall into blade or other moving parts. Do not overreach or use excessive force to perform any machine operation.
33. Use the right tool at the correct speed and feed rate. Do not force a tool or attachment to do a job for which it was not designed. The right tool will do the job better and more safely.
34. Use recommended accessories; improper accessories may be hazardous.
35. Maintain tools with care. Keep blades sharp and clean for best and safest performance. Follow instructions for lubricating and changing accessories.
36. Turn off machine before cleaning. Use a brush or compressed air to remove chips or debris — not your hands.
37. Do not stand on machine. Serious injury could occur if machine tips over.
38. Never leave machine running unattended. Turn power off and do not leave band saw until blade comes to a complete stop.
39. Remove loose items and unnecessary work pieces from area before starting machine.
40. Keep hands out of path of saw blade. Do not reach around a moving saw blade.
41. Don't use in dangerous environment. Do not expose machine to rain or use in wet or damp locations. Keep work area well lighted.
42. Make sure band saw is securely fastened to base.
43. Do not start the band saw with a workpiece in contact with the blade.
44. Allow blade to reach full speed before cutting.
45. Keep blades clean and sharp. Do not use blades that are cracked, poorly welded, or have missing or deformed teeth.
46. Use a push stick or other safety device when ripping narrow workpieces.

Familiarize yourself with the following safety notices used in this manual:

 This means that if precautions are not heeded, it may result in minor injury and/or possible machine damage.

 This means that if precautions are not heeded, it may result in serious, or possibly even fatal, injury.

SAVE THESE INSTRUCTIONS

2.0 Table of Contents

Section	Page
1.0 IMPORTANT SAFETY INSTRUCTIONS	2
2.0 Table of Contents	4
3.0 About This Manual	5
4.0 Specifications	6
5.0 Setup and Assembly	8
5.1 Shipping contents	8
5.2 Tools required for assembly	8
5.3 Unpacking and cleanup	8
5.4 Assembling stand	8
5.5 Installing handle	9
5.6 Installing dust chute	9
5.7 Installing table	9
5.8 Installing blade	9
5.8.1 Replacing wood insert	10
5.9 Blade tension	10
5.10 Blade tracking	11
5.11 Blade guides overview	11
5.12 Upper blade guides	11
5.13 Upper thrust bearing	12
5.14 Lower blade guides	12
5.15 Aligning table	13
5.16 Installing guide rail and fence	13
5.17 Dust collection	14
6.0 Electrical Connections	14
6.1 GROUNDING INSTRUCTIONS	14
6.2 Voltage conversion	15
6.3 Extension cords	15
7.0 Adjustments	16
7.1 Resaw fence	16
7.2 Miter gauge (optional accessory)	16
7.3 Table tilt	16
7.4 Guide post	16
7.5 Drive belt adjustments	16
7.6 Wheel brush	17
8.0 Operating Controls	17
8.1 Start/stop switch	17
9.0 Operation	17
9.1 General procedure	17
9.2 Ripping	18
9.3 Crosscutting	18
9.4 Resawing	18
9.5 Blade lead	19
9.6 Saw blade selection	19
9.7 Width	19
9.8 Pitch	19
9.9 Shape	19
9.10 Set	20
9.11 Material	20
9.12 Blade breakage	20
10.0 User Maintenance	20
10.1 Lubrication points	20
10.2 Additional servicing	21
11.0 Blade Selection Guide	21
12.0 Troubleshooting JWBS-14SFX Band Saw	22
12.1 Operational problems	22
12.2 Mechanical and electrical problems	24
13.0 Replacement Parts	24
13.1.1 JWBS-14SFX (#714401) – Band Saw Assembly – Exploded View	25

13.1.2 JWBS-14SFX (#714401) – Table, Fence, Lower Blade Guide Assembly – Exploded View	26
13.1.3 JWBS-14SFX – Band Saw Stand Assembly – Exploded View	27
13.1.4 JWBS-14LIT (#714403) – Band Saw Light Kit * – Exploded View	27
13.1.5 JWBS-14SFX (#714401) – Miter Gauge Assembly* – Exploded View	28
13.1.6 Retrofit Kit – Lower Blade Guide and Guard – To Install s/n2021093119 and Higher Components on S/N 2021093118 and Lower Saws – Exploded View	29
13.1.7 JWBS-14SFX Band Saw (#714401) – Parts List	30
13.1.8 JWBS-14SFX Stand (#714402) – Parts List	34
13.1.9 JWBS-14LIT Light Kit* (#714403) – Parts List (Optional Accessory).....	34
13.1.10 Miter Gauge Assembly for JWBS-14SFX Band Saw* (Optional Accessory)	35
13.1.11 Optional Accessory* – Blade & Push Stick	35
14.0 Electrical Connections.....	36
14.1 Electrical Connections for 1.75HP, 1PH, 115V only (model #714401)	36
14.2 Electrical Connections for 1.75HP, 1PH, 230V only (model #714401)	36
15.0 Warranty and service	37
16.0 Notes.....	38

3.0 About This Manual


This manual is provided by JET, covering the safe operation and maintenance procedures for a JET Model JWBS-14SFX Band Saw.

This manual contains instructions on installation, safety precautions, general operating procedures, maintenance instructions and parts breakdown. Your machine has been designed and constructed to provide consistent, long-term operation if used in accordance with the instructions as set forth in this document.

This manual is not intended to be an exhaustive guide to table saw operational methods, use of jigs or after-market accessories, choice of stock, etc. Additional knowledge can be obtained from experienced users or trade articles. Whatever accepted methods are used, always make personal safety a priority.

If there are questions or comments, please contact your local supplier or JET. JET can also be reached at our web site: www.jettools.com.

Retain this manual for future reference. If the machine transfers ownership, the manual should accompany it.

 WARNING Read and understand the entire contents of this manual before attempting assembly or operation! Failure to comply may cause serious injury!

Register your product online -

<http://www.jettools.com/us/en/service-and-support/warranty/registration/>

4.0 Specifications

Table 1

Model number	JWBS-14SFX
Stock numbers	
Band Saw with Stand	714400K
Motor and electrical	
Motor type	Totally-enclosed fan-cooled induction, capacitor run
Horsepower	1.75 HP (1.3 kW)
Motor phase	Single
Motor voltage	115/230 V (prewired 115 V)
Cycle	60 Hz
Listed FLA (full load amps)	15 / 7.5A
Start capacitor	100 μ F 275VAC
Run capacitor	40 μ F 450VAC
Motor speed	1720 RPM
Starting current	63 / 34 A
Running current (no load)	5.8 / 3.6 A
Power transfer	v-belt
On/off switch	Industrial-style push button
Power cord and plug	SJT 14AWGx3C, 6ft., 5-15P plug
Recommended circuit size ¹	20A (for 115V), 15A (for 230V)
Sound emission without load ²	75 dB at 3 ft. (900mm) from blade
Capacities and speeds	
Band saw nominal size	14 in. (355 mm)
Wheel diameter	14 in. (355 mm)
Resaw capacity (cutting height)	13 in. (330 mm)
Throat capacity	13-1/2 in. (345 mm)
Blade length (blade not provided)	116 in. (2947 mm)
Minimum blade width	1/8 in. (3.175 mm)
Maximum blade width	3/4 in. (19 mm)
Blade speed	15.24 m/s (3000 FPM)
Wheel speed	765 RPM
Main Materials	
Table	Ground cast iron
Table insert	Anodized aluminum
Trunnion	Engineered diecast and steel
Frame	Steel
Stand	Steel
Band wheels	Cast iron
Tires	Polyurethane
Blade guides	Ball bearings, aluminum block
Resaw fence	Extruded aluminum
Paint finish	Powder coating
Dust Collection	
Dust port outside diameter	4 in. (100mm)
Minimum extraction volume required	400 CFM

¹ Subject to local/national electrical codes.

² The specified values are emission levels and are not necessarily to be seen as safe operating levels. As workplace conditions vary, this information is intended to allow the user to make a better estimation of the hazards and risks involved only.

Table and Fence	
Table dimensions L x W	21-1/2 x 17 in. (535 x 435 mm)
Table tilt	0 to 45° Right
Table height from floor	40 in. (1020 mm)
Miter T-slot (2), W x D	3/4 x 13/32 in. (19 x 10 mm)
Resaw fence size L x H	18-1/4 x 6 in. (463 x 155 mm)
General Dimensions	
Overall dimensions, assembled L x W x H (approx.)	37 x 27-1/2 x 75-3/8 in. (940 x 700 x 1915 mm)
Shipping dimensions – L x W x H (approx.)	63 x 27 x 20 in. (1600 x 685 x 510 mm)
Base (Footprint) L x W	24.4 x 19.7 in. (620 x 500 mm)
Weights	
Net weight (approx.)	272 lb. (122 kg)
Shipping weight (approx.)	316 lb. (142 kg)

L = length, W = width, H = height

The specifications in this manual were current at time of publication, but because of our policy of continuous improvement, JET reserves the right to change specifications at any time and without prior notice, without incurring obligations.

⚠WARNING

Read and understand the entire contents of this manual before attempting assembly or operation. Failure to comply may cause serious injury.

5.0 Setup and Assembly

5.1 Shipping contents

See Figures 5-1 and 5-2.

- 1 Stand (not shown)
- 1 Band saw (not shown)
- 1 Table – **A** with preinstalled items:
 - 1 Fence rail (preinstalled on table) – **G**
 - 1 Hex cap screw M8x65 – **HP8**
 - 1 Hex Nut M8 – **HP6**
- 1 Table insert – **B**
- 1 Handle – **C**
- 1 Dust chute – **D**
- 1 Fence body – **E**
- 1 Resaw fence – **F**
- 4 Rubber feet with hex nut (not shown)
- 5 Hex wrenches, 2.5/3/5/6/8mm (not shown)
- 1 Operating Instructions and Parts Manual
- 1 Product registration card
- 1 Hardware package (JWBS14SFX-HPN):
 - 4 Socket hd cap screws M8x50 – **HP1**
 - 8 Hex cap screws M8x16 – **HP2**
 - 4 Socket hd button screws M8x20 – **HP3**
 - 4 Socket hd button screws M5x8 – **HP4**
 - 20 Flat washers 8mm – **HP5**
 - 8 Hex nuts M8 – **HP6**
 - 4 Lock washers 8mm – **HP7**
 - 4 Large Flat Washers, 8mm – **HP9**

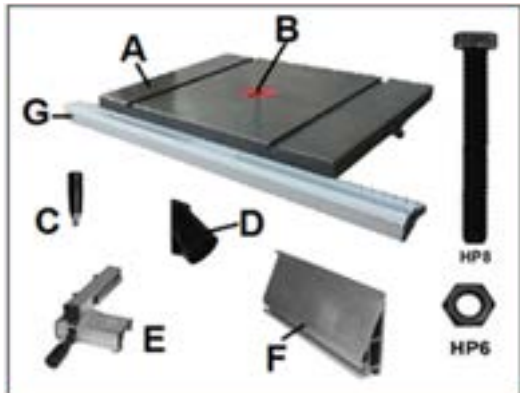


Figure 5-1: contents (not to scale)

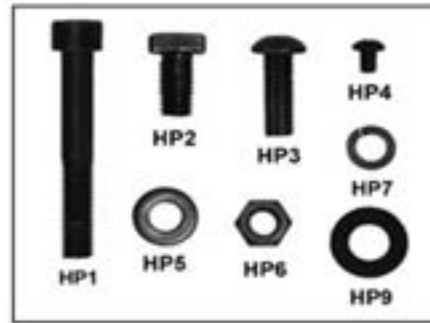


Figure 5-2: hardware package JWBS14SFX-HPN

5.2 Tools required for assembly

(Note: Additional tools may be needed for adjustments.)

- 5mm, 6mm hex wrenches (provided)
- 10mm, 14mm wrenches
- Rubber mallet (or hammer and block of wood)
- Straight edge
- Measuring tape or gauge
- Machinists square (or similar 90° measuring device)

5.3 Unpacking and cleanup

Open boxes and inspect contents. Report any shipping damage or missing parts to your distributor. Do not discard packing material until machine is assembled and running satisfactorily.

The band saw should be located in a dry, well lit area, with enough room to handle long stock and servicing or adjustment of the machine from any side.

Clean off any rust-protectant with a mild solvent or kerosene and a soft cloth. Do not use lacquer thinner, paint thinner, or gasoline, as these will damage painted surfaces.

⚠WARNING

Band saw must be disconnected from power source during assembly procedures. Failure to comply may cause serious injury.

5.4 Assembling stand

Assemble stand according to the exploded view in sect. 13.1.3. Use fasteners HP2/5/6 and rubber feet, as shown.

With the carton still on the pallet, cut down the carton and trim away a portion of the foam insert to expose the base of the saw. Secure the stand to the saw using screw and washer HP1/5/7. See Figure 5-3.

Carefully raise the assembled stand and saw using straps with a forklift or hoist.

Adjust the rubber feet as needed to level the band saw.

5.5 Installing handle

Thread handle (C, Figure 5-1) into front handwheel, and tighten with 10mm wrench on flats.

5.6 Installing dust chute

Mount dust chute (D, Figure 5-3) with four screws (HP4).

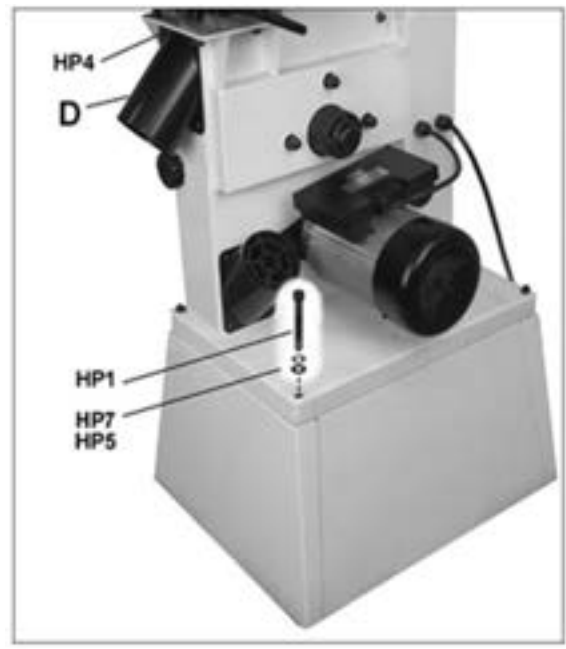


Figure 5-3

5.7 Installing table

CAUTION Table is heavy; an assistant is recommended.

Position table onto trunnion and line up table to trunnion slots. Insert screws and washers (HP3/9, Figure 5-4). *Only hand tighten screws at this time – blade must be installed and table aligned before fully tightening.*

Follow all instructions concerning blade installation and adjustment, then proceed with table alignment in *sect. 5.15*.

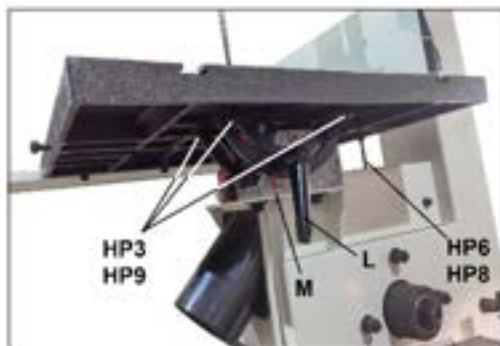


Figure 5-4: table installation

5.8 Installing blade

Note: A blade is not provided with the saw. You may purchase one locally, or from your JET dealer. See *sect. 4.0* for blade requirements of the JWBS-14SFX.

WARNING Disconnect machine from power source before installing blade.

CAUTION Wear gloves when handling blades. New blades are usually packaged in coiled position; to prevent injury uncoil them slowly and carefully while wearing work gloves and safety glasses.

1. Disconnect band saw from power source.
2. Pull table pin (K, Figure 5-5) out of its slot, and remove table insert (B).

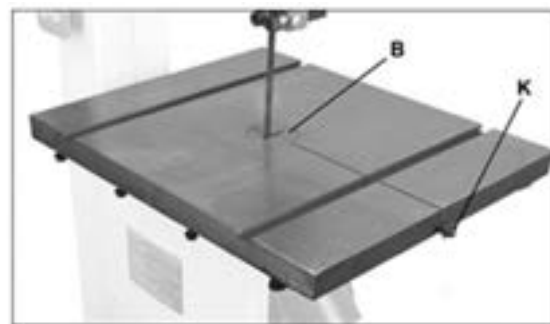


Figure 5-5: table and guide rail installation

3. Open upper and lower doors by rotating door knobs.
4. Swing the lower blade guard (M – Figure 5-12) to the left.
5. Back off upper and lower blade guides to allow gap for blade insertion (*see sect. 5.12 through 5.14*).
6. Raise quick tension lever (see D, Figure 5-7) to release position. If needed, rotate tension handwheel (E, Figure 5-7) counterclockwise for further detensioning.
7. Remove wood insert (Figure 5-6), if installed.

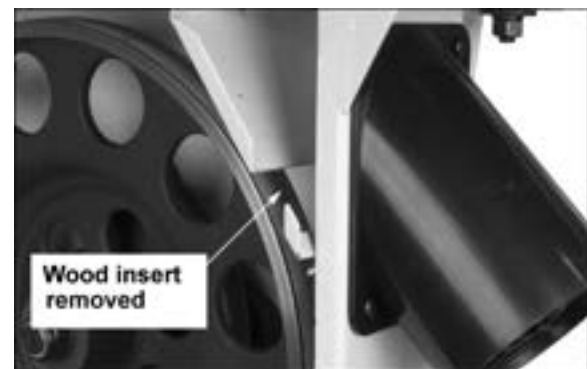


Figure 5-6

8. Guide blade through table slot. Place blade loosely in upper and lower blade guides. Make

sure blade teeth point down toward table, and toward front of saw.

(If the teeth will not point down, no matter how the blade is oriented, then blade is inside-out. Twist it into correct orientation and re-install it.)

9. Position blade at center of upper and lower wheels.
10. Reinstall wood insert, table insert and table pin. (The table pin prevents deflection of table along blade slot.)
11. Before operating band saw, the new blade must be tensioned and tracked, in that order. Refer to *sect. 5.9 and 5.10*.
12. The blade guides must also be set properly according to instructions in *sect. 7.7 through 7.10*.

5.8.1 Replacing wood insert

The saw comes with a wood insert which is pre-cut and slotted to fit the saw. Should the insert need to be replaced, the dimensions are as follows:

Size of wood insert:
70 L x 113 W x 7.5 Th mm
(2-3/4 L x 4-3/16 W x 1/4 Th in.)

When replacing the wood insert, use the following procedure to cut the blade slot.

1. **Disconnect saw from power source.**
2. Open bottom door and slide the wood insert until it contacts the blade edge (see Figure 5-6a).



Figure 5-6a

3. Rotate bottom wheel by hand to cut a groove into the edge of the wood insert. This will be your cut angle reference.
4. Estimate the needed length of the cut when the insert will be installed all the way in. Mark this point on the wood insert.

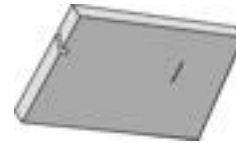


Figure 5-6b

5. The cut angle on the wood insert will be greater than the 45 degrees maximum tilt on the band saw. Thus, either a jig of some kind must be used with the band saw, or another method of cutting must be used. Possibilities include clamping the insert in a vise and cutting it with a hand saw, or using another machine that accepts the cut angle.

Whatever method or machine is used, make sure all necessary safety measures are taken.

WARNING Attempting to cut the wood insert while the saw is running poses a safety risk. Perform the above instructions with the saw unplugged from the power source.

5.9 Blade tension

Refer to Figures 5-7 and 5-8.

Blade tension should be checked following blade replacement, and periodically as the blade stretches from use.

1. Lower tension lever (D, Figure 5-7) to tension position.
2. Set proper blade tension by rotating handwheel (E, Figure 5-7), clockwise to tighten, counterclockwise to loosen.
3. The gauge (F, Figure 5-8) indicates approximate tension according to blade width in inches. Initially, set blade tension to correspond to width of blade. As you become familiar with the saw, you may find it necessary to alter blade tension from the initial setting.

Keep in mind that too little or too much blade tension can cause blade breakage and/or poor cutting performance.

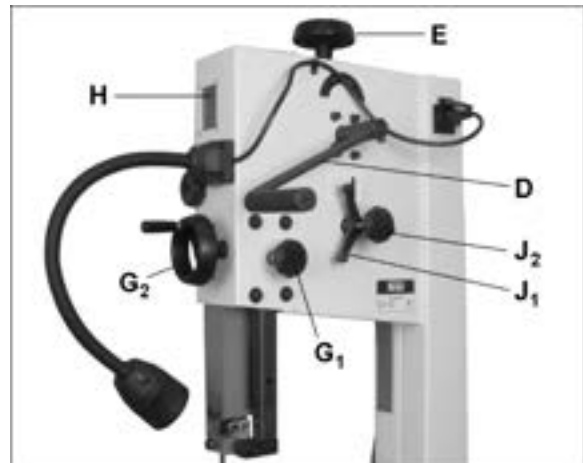


Figure 5-7 (shown with optional lamp)



Figure 5-8

Tip: When the band saw is not being used, raise tension lever (D) to *release* position – this will prolong the life of blade and tires.

5.10 Blade tracking

Refer to Figures 5-7 and 5-8.

After proper tensioning, the blade must be tracked. “Tracking” refers to position of blade on the wheels while machine is in operation. Tracking should be checked periodically, and is mandatory after every blade change. Blade tracking is done initially by hand with machine disconnected from power.

1. **Disconnect band saw from power source.**
2. Blade must be correctly tensioned (*sect. 5.9*). Lower blade tension lever to *tension* position.
3. Back off blade guides so they will not interfere with blade movement.
4. Loosen guide post locking knob (G₁, Figure 5-7) and use handwheel (G₂) to lower guide post until you can see blade through tracking window (H).
5. Open upper door to expose wheel.
6. Rotate wheel by hand, observing position of blade through tracking window. The blade should ride approximately at center of tire (Figure 5-9).

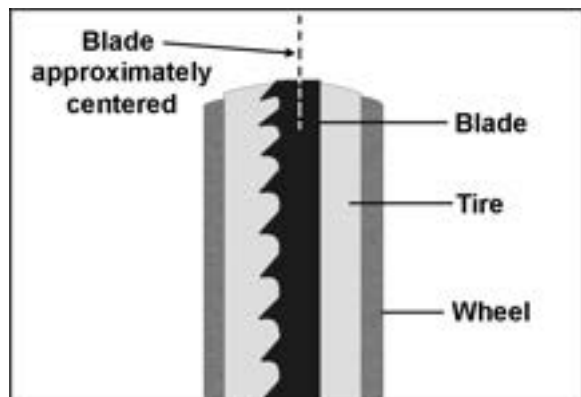


Figure 5-9

7. If blade tends to migrate toward left or right edge of wheel, loosen locking handle (J₁, Figure 5-7) counterclockwise, and rotate tracking knob

(J₂) with your right hand while continuing to rotate wheel with your left.

IMPORTANT: This adjustment is sensitive; perform in small increments and give blade time to react to changes.

8. When blade is tracking near approximate center of wheel, tighten locking handle (J₁), and close upper door.
9. Connect saw to power and turn it on to observe blade in action through tracking window. Make further adjustments as needed.

5.11 Blade guides overview

Thrust (back support) *bearings* are located behind saw blade and provide support to back of blade when saw is in operation.

Guide bearings are located on either side of saw blade and provide stability for blade when saw is in operation. These bearings rotate on an eccentric shaft so distance from blade can be adjusted for optimal performance.

5.12 Upper blade guides

CAUTION Blade teeth are sharp; use care when working near saw blade.

The guide bearings should be set so that contact between blade and guides will occur only when blade is under pressure from a workpiece. To adjust upper bearing guides for proper blade control, proceed as follows.

Refer to Figures 5-10 and 5-11.

1. **Disconnect band saw from power source.**
2. Blade must already be tensioned and tracking correctly. See *sect. 5.9* and *5.10*.

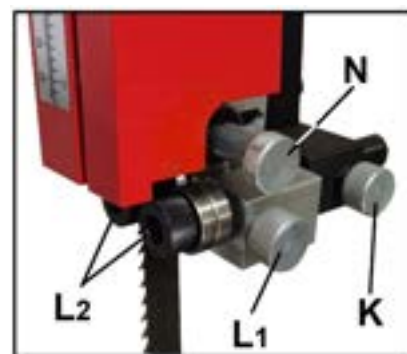


Figure 5-10: blade guide adjustment

3. Place quick tension handle in *tension* position.
4. Loosen the lock knob (K, Figure 5-10).
5. Slide entire guide bracket until front of guide bearings are about 0.015” (1/64”) behind blade gullet (curved area at base of tooth). See Figure 5-11.
6. Tighten lock knob (K, Figure 5-10).

7. If thrust bearing does not line up with blade, lateral adjustment of the entire guide bracket can be made using the lock knob (K) and the 2 set screws on opposite side of the upper guide mount.

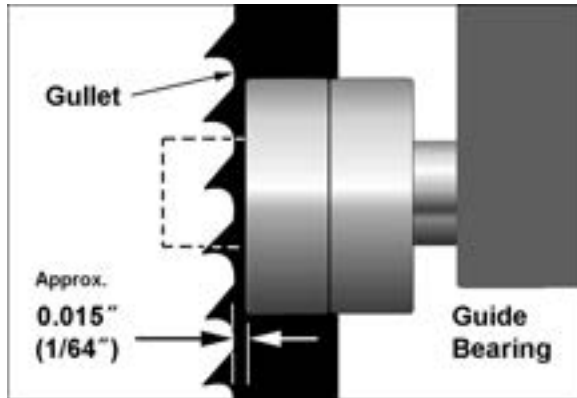


Figure 5-11: guide bearing position

8. Loosen lock knob (L₁) for either of the front guide bearings.
9. The guide bearing rotates on an eccentric shaft. Adjust guide bearing by rotating knurled knob (L₂) until guide bearing is almost touching blade.

Tip: This blade-to-bearing gap can be quickly set by inserting a business card, or dollar bill folded twice (4 thicknesses), between them then allowing the guide bearing to *lightly* contact the card/bill.

CAUTION Do not force guide bearing against side of blade. Overtightening will reduce bearing life. Guide bearings should not rotate when saw is running without a workpiece; they will generally only make contact with blade when there is pressure from the cutting operation.

10. Tighten lock knob (L₁).
11. Repeat process for opposite guide bearing.

5.13 Upper thrust bearing

CAUTION Blade teeth are sharp; use care when working near saw blade.

Refer to Figure 5-10.

The thrust bearing prevents backward deflection of blade during cutting.

1. Disconnect band saw from power source.
2. Loosen the lock knob (N, Figure 5-10), and slide thrust bearing until it almost touches back of blade. (This blade-to-bearing gap can be set in similar fashion as the side guides, with business card or dollar bill.)

NOTE: On narrow blades, it may be preferable to set thrust bearing in actual contact with blade.

3. Tighten lock knob (N).
4. Make sure all lock knobs on upper guide bearing assembly are tightened when adjustments are complete.

5.14 Lower blade guides

CAUTION Blade teeth are sharp; use care when working near saw blade.

Refer to Figures 5-12 and 5-13.

1. Disconnect band saw from power source.
2. Open lower door and swing lower guard (M, Figure 5-12) out of the way.
3. Adjust lower guide bearings and lower thrust bearing below table in similar manner to that of upper guide and thrust bearings.

Movement summary: Loosen lock knob (P) to move entire guide bearing assembly. Loosen lock knob (S) and rotate knob (S) to adjust guide bearing in relation to blade. Thrust bearing is controlled by locking knob (O).

4. Make sure all knobs and screws are tightened after adjustments are complete.

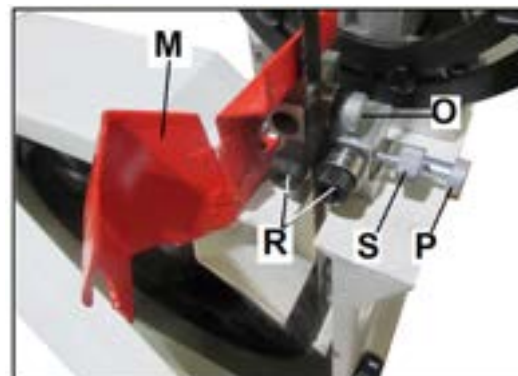


Figure 5-12: lower blade guides

5.15 Aligning table

The table must be adjusted so that:

- Blade runs through center of table insert.
- Table is aligned with blade.
- Table is square to blade at 90° scale reading.

1. **Disconnect band saw from power source.**
2. The table screws should still be only hand tight.
3. Lower blade tension lever (see D, Figure 5-7) to tension position.
4. Install table insert (B, Figure 5-5). Blade should be positioned at center of insert opening. If it is not, nudge table left or right as needed to center it.

Table must now be aligned with blade, and surface set square to blade at 90° scale reading, as follows.

5.15.1 Table-to-blade alignment

5. With blade tension lever in *tension* position, place a long straightedge flush against blade, making sure it evenly contacts both front and back of blade. See Figure 5-14. *Do not deflect blade by pushing into it.*

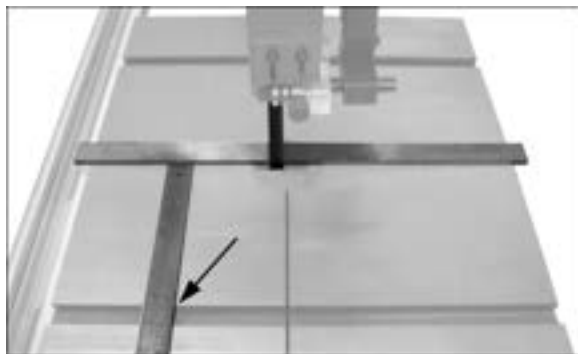


Figure 5-14

6. Use a gauge (Figure 5-14) to carefully measure distance from miter slot edge to straight edge. Take measurements at both front and back of table – these should be identical.
7. If miter slot is not parallel to blade, nudge table with rubber mallet in the needed direction.
8. When parallelism is achieved (and blade is still centered through table insert), securely tighten the four trunnion screws (HP3, Figure 5-15).

5.15.2 Table-to-blade squaring and 90° stop

9. Insert stop screw with nut (see HP6/8, Figure 5-15) into threaded hole in table.
10. Set a square on table top and against blade, as shown in Figure 5-16.
11. Loosen lock handle (L) and manually tilt table until table and blade are square.
12. Tighten lock handle (L).

13. Turn stop screw (HP8) until it contacts saw frame, and tighten hex nut (HP6) against table.
14. If needed, loosen screw and move pointer (M, Figure 5-15) to align with zero on scale. Retighten screw.

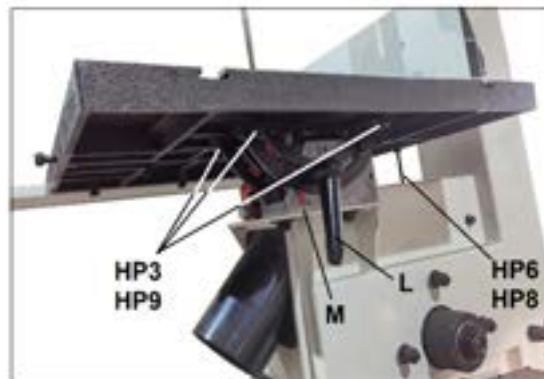


Figure 5-15: table alignments

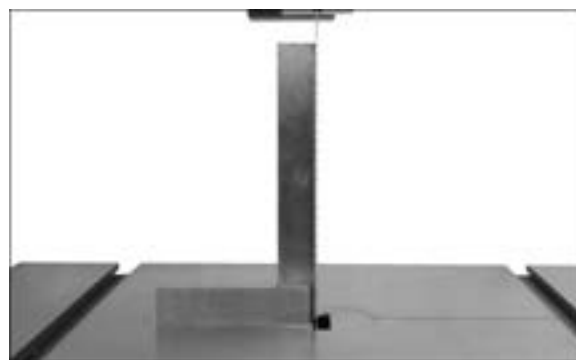


Figure 5-16 squaring table to blade

5.16 Installing guide rail and fence

1. Fence rail is preinstalled on the table from the factory as shown in figure 5-17.

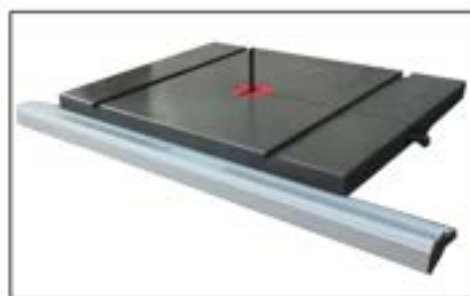


Figure 5-17

2. Slide fence body onto end of guide rail (Figure 5-18) and push down handle to lock fence body to rail. There should be an even gap between table surface and the length of fence body.
3. If adjustment is needed, use the set screws which are located next to the fence body screws (E₃, Figure 5-19). Loosen the four screws (E₃) and turn any of the four adjoining set screws in or out as needed, until fence is flat against blade.

4. Tighten screws (E₃).

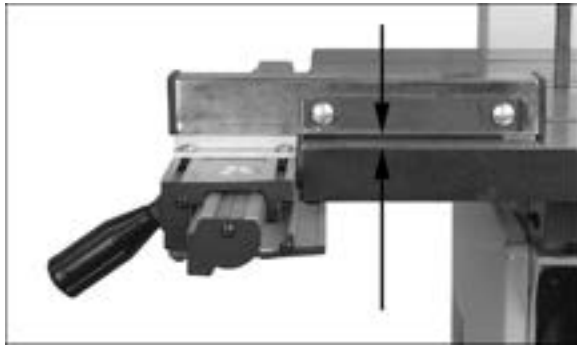


Figure 5-18

5. Loosen handles (E₁, Figure 5-19) and slide fence onto bar. Tighten handles (E₁).

5.16.1 Fence to miter slot alignment

6. Slide fence against edge of miter slot (Figure 5-19) and push down handle (E₂) to lock position. The fence should align parallel to miter slot along entire length of fence.
7. If adjustment is needed, loosen four screws (E₃, Figure 5-19) and shift fence body as needed to align fence with miter slot.
8. Tighten screws (E₃).

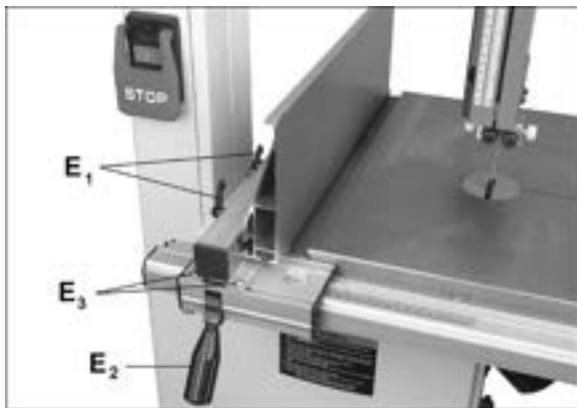


Figure 5-19

5.16.2 Fence to blade alignment

9. Set table at 90° to blade and lock in position.
10. Move fence against blade (do not deflect blade by pushing into it). See Figure 5-20.
11. Verify that fence, top-to-bottom, lies flat against side of blade. If it does not, use the set screws which are located next to the fence body screws (E₃, Figure 5-19). Loosen the four screws (E₃) and turn any of the four adjoining set screws in or out as needed, until fence is flat against blade.
12. Tighten the four screws (E₃).



Figure 5-20

5.16.3 Cursor alignment

4. With fence against blade, verify that cursor (F, Figure 5-20) aligns with zero on scale.
5. If adjustment is needed, loosen the four screws (E₃, Figure 5-19) on the fence body and nudge fence body left or right along the tracks in the fence guide, until cursor aligns with zero when fence is against blade.
6. Tighten the four screws (E₃).

5.17 Dust collection

It is strongly recommended that a dust collection system (not provided) be connected to the two 4-inch diameter ports on the saw. It will help keep the shop clean, as well as prevent potential health hazards due to air-borne wood dust. See our website for a full line of dust collectors.

6.0 Electrical Connections

⚠WARNING Electrical connections must be made by a qualified electrician in compliance with all relevant codes. This machine must be properly grounded to help prevent electrical shock and possible fatal injury.

6.1 GROUNDING INSTRUCTIONS

1. All Grounded, Cord-connected Tools:

This machine must be grounded. In the event of a malfunction or breakdown, grounding provides a path of least resistance for electric current to reduce the risk of electric shock. This tool is equipped with an electric cord having an equipment-grounding conductor and a grounding plug. The plug must be plugged into a matching outlet that is properly installed and grounded in accordance with all local codes and ordinances.

Do not modify the plug provided - if it will not fit the outlet, have the proper outlet installed by a qualified electrician.

Improper connection of the equipment-grounding conductor can result in a risk of electric shock. The conductor with insulation having an outer surface that is green with or without yellow stripes is the equipment-grounding conductor. If repair or replacement of the electric cord or plug is necessary, do not connect the equipment-grounding conductor to a live terminal.

Before connecting to power source, be sure the switch is in *off* position.

WARNING Check with a qualified electrician or service personnel if the grounding instructions are not completely understood, or if in doubt as to whether the tool is properly grounded. Failure to comply may cause serious or fatal injury.

Use only 3-wire extension cords that have 3-prong grounding plugs and 3-pole receptacles that accept the tool's plug.

Repair or replace damaged or worn cord immediately.

2. *Grounded, cord-connected tools intended for use on a supply circuit having a nominal rating less than 150 volts:*

This tool is intended for use on a nominal 115-V circuit, and has a grounded plug that looks like the plug illustrated in sketch A in Figure 6-1. A temporary adaptor that looks like the adaptor illustrated in sketches B and C may be used to connect this plug to a 2-pole receptacle as shown in sketch B if a properly grounded outlet is not available. The temporary adaptor should be used only until a properly grounded outlet can be installed by a qualified electrician. The green colored rigid ear, lug, or the like extending from the adaptor must be connected to a permanent ground such as a properly grounded outlet box cover. Whenever the adaptor is used, it must be held in place by a metal screw.

In Canada, the use of a temporary adaptor is not permitted by the Canadian Electrical Code, C22.1.

3. *Grounded, cord-connected tools intended for use on a supply circuit having a nominal rating between 150 - 250 volts, inclusive:*

This tool is intended for use on a circuit that has an outlet that looks like the one illustrated in D, Figure 6-1. The tool is intended to be used with a grounding plug that looks like the plug illustrated in D. Make sure the tool is connected to an outlet having the same configuration as the plug. No adaptor is available or should be used with this tool. If the tool must be reconnected for use on a different type of electric circuit, the reconnection should be made by qualified service personnel; and after reconnection, the tool should comply with all local codes and ordinances.

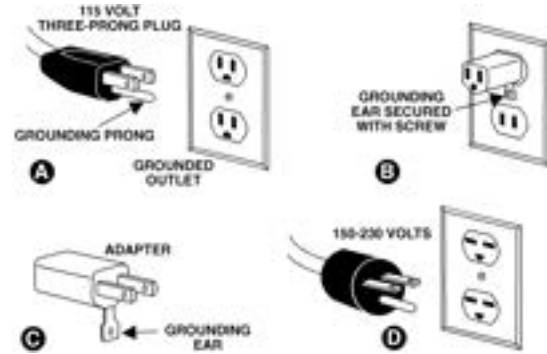


Figure 6-1



6.2 Voltage conversion

To convert the JWBS-14SFX from 115V to 230V, single phase operation:

1. **Disconnect band saw from power; unplug.**
2. Switch the lead wires inside motor junction box, according to diagram affixed to inside of junction box cover.
3. **Disconnect** the 110V electrical socket at rear of saw frame. **This socket will not be used when the band saw is drawing 230V power.**
4. The 5-15P attachment plug supplied with the band saw must be replaced with a UL/CSA listed plug suitable for 230V operation.

6.3 Extension cords

The use of extension cords is discouraged; try to position your machine within reach of the power supply. If an extension cord becomes necessary, make sure the cord rating is suitable for the amperage listed on the machine's motor plate. An undersized cord will cause a drop in line voltage resulting in loss of power and overheating.

Use Table 2 as a general guide in choosing the correct size cord. If in doubt, use the next heavier gauge. The smaller the gauge number, the heavier the cord.

Recommended Gauges (AWG) of Extension Cords

Amp Rating		Volts	Total length of cord in feet			
More Than	Not More Than	120	25	50	100	150
		240	50	100	200	300
			AWG			
0	6		18	16	16	14
6	10		18	16	14	12
10	12		16	16	14	12
12	16		14	12	Not Recommended	

Table 2

7.0 Adjustments

7.1 Resaw fence

Refer to Figure 7-1.

The fence can be installed in one of two positions; vertical (resaw position) or horizontal. Horizontal position is useful for small or thin workpieces, and allows blade guide to be lowered without interference from fence. Zero setting of cursor cannot be used with horizontal fence position.

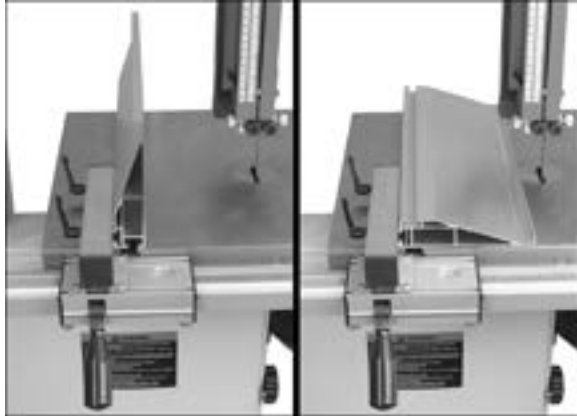


Figure 7-1: fence positions

7.2 Miter gauge (optional accessory)

Refer to Figure 7-2.

1. Slide miter gauge (not included, optional accessory) into table slot from front edge of table.
2. Loosen knobs (A₁) and install miter fence (A₂) onto gauge body. Position fence as needed and tighten knobs.
3. Loosen handle (A₃), pull out pin (A₄), and rotate body to desired angle. Tighten handle.



Figure 7-2: miter gauge adjustments

7.2.1 Setting positive stops

The miter gauge has positive stops at 0 (90°), and 45° left and right, located beneath the gauge body.

4. Use a square to verify that miter fence is square to blade when set at 90° on scale

5. If miter gauge is not square to blade, loosen handle (A₃) and adjust until square. Tighten handle.
6. Verify that pointer (A₅) shows 90°. If it does not, loosen screw and shift pointer to 90°. Tighten screw.
7. Adjust a stop if needed by loosening hex nut and rotating screw (A₆). Retighten nut.

The top channel on miter fence will accommodate accessory items, such as hold-downs. Remove end cap and install t-bolts into the channel.

7.3 Table tilt

Refer to Figure 7-3.

1. Loosen lock handle (B, Figure 7-3).
2. Tilt table up to 45 degrees to right (as viewed from operator side).
3. Tighten lock handle (B).

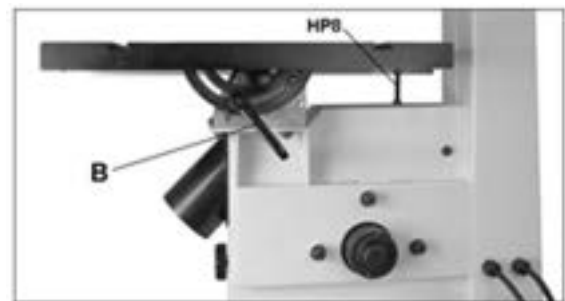


Figure 7-3: table tilt

7.4 Guide post

1. Loosen lock knob (see G₁, Figure 5-7) and raise or lower guide post using handwheel (G₂, Figure 5-7).
2. Position blade guide assembly so that bottom of guide bearing assembly is about 3/16-inch above material to be cut. The scale pointer (G₃, Figure 5-8) indicates height of guide assembly from table. This provides minimal clearance between workpiece and bottom of guide bearings, which minimizes blade deflection and enhances operator safety.
3. Tighten lock knob (G₁, Figure 5-7).

7.5 Drive belt adjustments

The drive belt and pulleys are properly adjusted by the manufacturer. However, belt tension should be occasionally checked when the band saw is new, as a new belt may stretch slightly during the breaking-in process.

7.5.1 Drive belt tension

Check tension by pushing with moderate pressure on belt halfway between pulleys. An adequately tensioned belt will deflect about 1/2-inch.

7.5.2 Drive belt replacement

⚠WARNING Disconnect machine from power source before replacing drive belt.

If belt becomes worn, cracked, frayed or glazed, it should be replaced as follows:

1. Disconnect band saw from power source.
2. Open upper and lower doors and remove blade.
3. Loosen motor plate screws (A, Figure 7-4). If needed, slightly loosen pivot screw (B). Lift motor upward to remove tension on belt, and tighten screws (A) to hold motor in raised position.

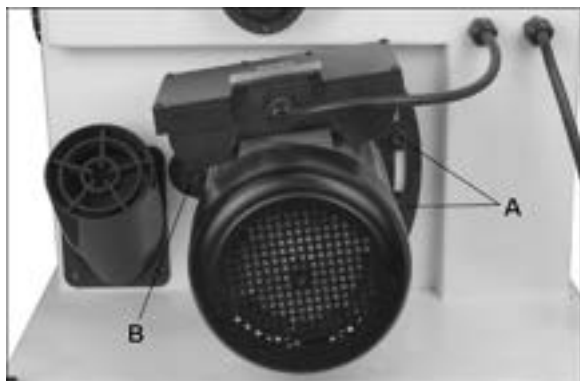


Figure 7-4

4. Open lower wheel door. Remove nut and washer, and remove blade wheel. If lower wheel cannot be easily removed, you may need to use a wheel puller to remove it.
5. Remove old belt from pulleys and install new belt, making sure it seats properly in pulley grooves.
6. Check pulley alignment. To align, loosen set screws in pulley and slide to adjust. Retighten set screws.
7. Reinstall lower blade wheel, washer, and nut, and tighten securely.
8. Loosen motor plate screws (A) and allow motor to lower, tensioning the belt. Tighten screws (A).
9. Install blade, and verify blade tension and tracking before operating (sect 5.9 and 5.10).

7.6 Wheel brush

An adjustable brush is located in lower wheel housing. It should remain in constant contact with wheel to prevent buildup of gum and debris. Loosen nut on the back of saw body to adjust angle if needed.

8.0 Operating Controls

8.1 Start/stop switch

Press green button to start. Press red paddle button to stop.

IMPORTANT: Buttons must be pressed hard enough until an audible “click” is heard.

⚠CAUTION If a power outage occurs, band saw will resume action instantly upon power restoration. If outage occurs, immediately press stop button.

8.1.1 Switch lockout

A hole near the start button will accept a safety padlock, as shown in Figure 8-1. To safeguard your machine from unauthorized operation and accidental starting by young children, the use of a padlock (not provided) is highly recommended. Place the key in a location that is inaccessible to children and others not qualified to use the tool.

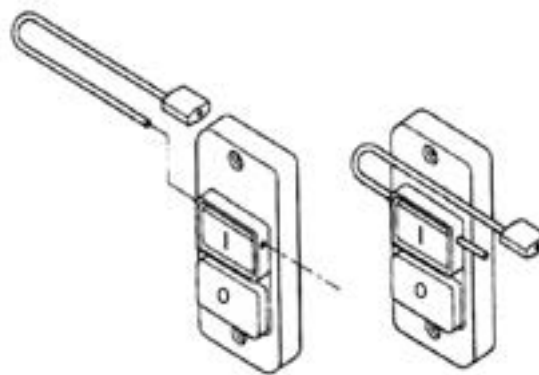


Figure 8-1: switch lockout

9.0 Operation

The following section contains basic information, and is not intended to cover all possible applications or techniques using the band saw. Consult published sources of information, acquire formal training, and/or talk to experienced band saw users to gain proficiency and knowledge of band saw operations.

The following figures are general in nature and may not show your specific model.

9.1 General procedure

1. Make sure the blade and upper and lower bearings are properly adjusted for tension and tracking.
2. Adjust blade guide assembly so that the guide bearings are just above workpiece (about 3/16”) allowing minimum exposure to blade. See Figure 9-1.

3. If using the fence, move it into position and lock it to the guide rail. If you are using the miter gauge for a crosscut, the fence should be moved safely out of the way.
4. Turn on band saw and allow a few seconds for the machine to reach full speed.

▲WARNING Whenever possible, use a push stick, hold-down, power feeder, jig, or similar device while feeding stock, to prevent your hands getting too close to the blade.

5. Place the straightest edge of the workpiece against the fence, and push the workpiece slowly into the blade. Do not force the workpiece into the blade.

▲CAUTION When cutting, do not overfeed the blade; overfeeding will reduce blade life and may cause the blade to break.

6. When cutting long stock, the operator should use roller stands, support tables, or an assistant to help stabilize the workpiece.

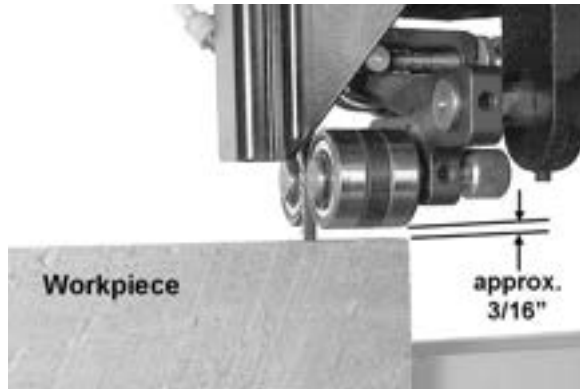


Figure 9-1

9.2 Ripping

Ripping is cutting lengthwise through the workpiece, along the grain (of wood stock). See Figure 9-2.

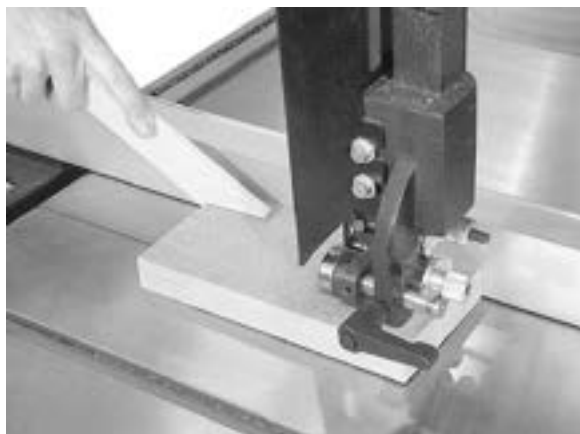


Figure 9-2: ripping

9.3 Crosscutting

Crosscutting is cutting across the grain of the workpiece, while using the miter gauge to feed the workpiece into the blade.

Slide the bar of the miter gauge into the end of the slot on the table.

The right hand should hold the workpiece steady against the miter gauge, while the left hand pushes the miter gauge past the blade, as shown in Figure 9-3.

Do not use the fence in conjunction with the miter gauge. The offcut of the workpiece must not be constrained during or after the cutting process.

▲CAUTION Using the fence in conjunction with the miter gauge can cause binding and possible damage to the blade.



Figure 9-3: crosscutting

9.4 Resawing

Resawing is the process of slicing stock to reduce its thickness, or to produce boards that are thinner than the original workpiece. See Figure 9-4.

The ideal blade for resawing is the widest one the machine can handle, as the wider the blade the better it can hold a straight line.



Figure 9-4: resawing

When resawing thin stock, use a push block, push stick, or similar device to keep your hands away from the blade.

9.5 Blade lead

Blade lead, or drift, is when the blade begins to wander off the cutting line even when the band saw fence is being used.

Figure 9-5 shows an example of blade lead. It is more common with small, narrow blades, and is almost always attributable to poor blade quality, or lack of proper adjustments. Inspect the band saw for the following:

- Fence not parallel to miter slot and blade.
- Blade not tensioned correctly.
- Blade is dull.
- Teeth have excessive "set" on one side of blade.
- Workpiece being fed too quickly.

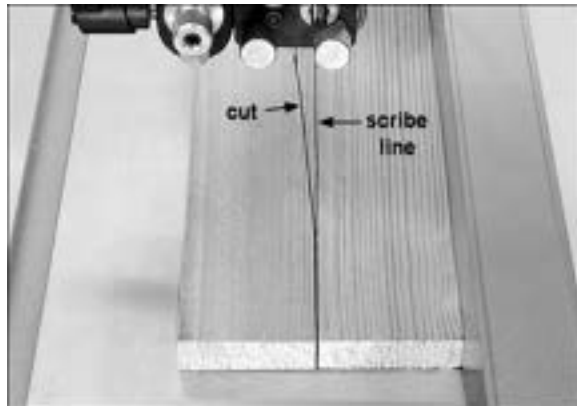


Figure 9-5: blade lead

9.6 Saw blade selection

Using the proper blade for the job will increase the operating efficiency of your band saw, help reduce necessary saw maintenance, and improve your productivity. Thus, it is important to follow certain guidelines when selecting a saw blade.

Here are factors to consider when selecting a blade:

- The type of material you will be cutting.
- The thickness of the material.
- The features of the material, such as bends or curves with small radii.

These factors are important because they involve basic concepts of saw blade design. There are five (5) blade features that are normally changed to meet certain sawing requirements. They are:

1. width
2. pitch (number of teeth per inch)
3. tooth form (or shape)
4. the "set" of the teeth
5. the blade material itself.

9.7 Width

Band saw blades come in different standard widths, measured from the back of the blade to the tip of the tooth. Generally, wider blades are used for ripping or making straight cuts; narrower blades are often used when the part being cut has curves with small radii. When cutting straight lines with a narrow blade, the blade may have a tendency to wander, causing *blade lead*. (refer to sect. 9.5).

9.8 Pitch

Pitch is measured in "teeth per inch" (TPI). Figure 9-6 shows blades with different pitches. A fine pitch (more teeth per inch) will cut more slowly but smoother. A coarse pitch (fewer teeth per inch) will cut rougher but faster. As a rule of thumb, the thicker the workpiece, the coarser will be the blade pitch. If you cut a hard or very brittle material, you may want to use a blade with a finer pitch in order to get clean cuts.

General rule: Use a blade that will have no fewer than 6 and no more than 12 teeth in the workpiece at any given time.

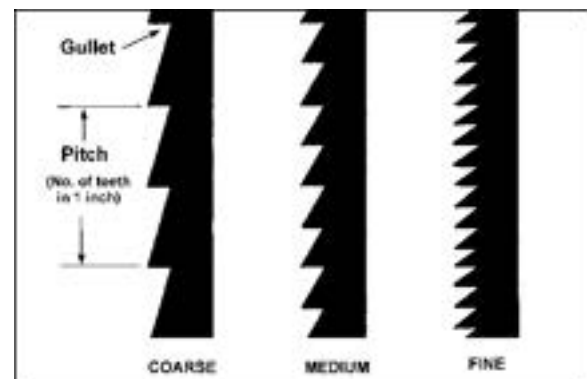


Figure 9-6: blade pitch

9.9 Shape

Figure 9-7 shows common types of tooth shape. Tooth shape has an effect on cutting rate, and with few exceptions, the Skip and Hook types are used to obtain higher feed rates when cutting thick workpieces. Variable-tooth blades are also available, which combine features of the other styles.

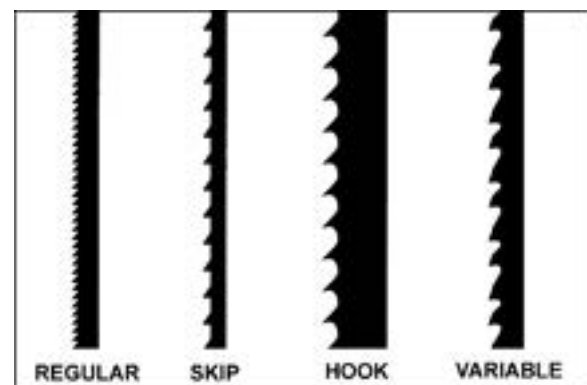


Figure 9-7: blade shape

9.10 Set

The term "set" refers to the way in which the saw teeth are bent or positioned. Set patterns are usually selected depending on the type of material that needs to be cut. Three common set patterns are shown in Figure 9-8.

Generally, the *Raker* set is used for cutting metal workpieces; the *Wave* set, when the thickness of the workpiece changes, such as cutting hollow tubing or structurals. The *Straight* set is most often preferred when cutting wood or plastics.

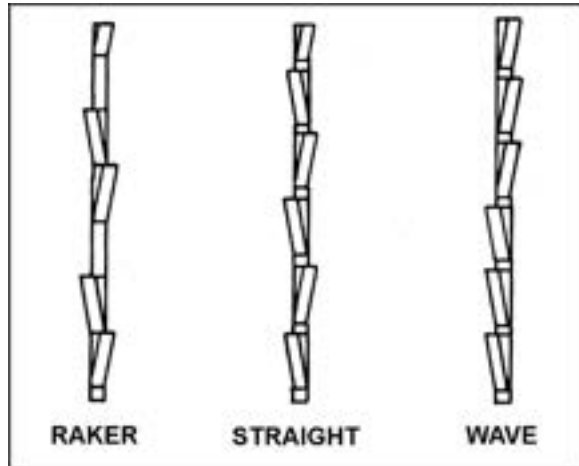


Figure 9-8: blade set

9.11 Material

Band saw blades can be made from different types of materials. Some of the most common include spring steel, carbon steel, carbon steel equipped with a high speed or welded edge (bi-metal), or carbide tips. A special type of saw blade is made from "high speed steel"; these should not be used on band saws with low rates of speed.

Because of the importance of blade selection, it is recommended that you use the *Blade Selection Guide* in sect. 11.0.

9.12 Blade breakage

Band saw blades are subject to high stresses and breakage may sometimes be unavoidable. However, many factors can be controlled to help prevent most blade breakage. Here are some common causes for breakage:

1. Misalignment of blade guides
2. Feeding work too fast
3. Using a wide blade to cut a short radius curve
4. Excessive tension
5. Teeth are dull or improperly set
6. Upper guides are set too high off workpiece
7. Faulty weld on blade

10.0 User Maintenance

WARNING Before any intervention on the machine, disconnect it from electrical supply by pulling out the plug. Failure to comply may cause serious injury.

Clean band saw regularly to remove any resinous deposits and sawdust.

Keep miter slot and guide bearings clean and free of resin.

Keep blade clean and sharp. Check it periodically for cracks or other signs of wear.

The drive belt should be checked periodically. If it looks worn, frayed, glazed or otherwise damaged, replace it.

Check that the cleaning brush over the band wheel is working properly, and remove any deposits from the band wheels to avoid vibration and blade breakage.

Do not allow saw dust to build up in the upper and lower wheel housings. Vacuum or blow out dust from inside cabinet. (Use proper dust mask equipment).

The table surface must be kept clean and free of rust for best results. If rust appears, it can often be removed with a mixture of household ammonia, good commercial detergent and #000 steel wool. Alternatively, commercial rust removers can be found at many hardware stores.

Periodically apply a light coat of paste wax or other non-silicone protectant to the table surface. Select a product that will protect the metal and provide a smooth surface, without staining workpieces.

If the power cord is worn, cut, or damaged in any way, have it replaced immediately.

Connect the band saw to a dust collection system of appropriate capacity. (See our website for a full line of JET dust collectors.)

Periodically vacuum out the motor fan cover.

10.1 Lubrication points

1. Periodically apply a light, multi-purpose grease to the following:
 - Rack and pinion system of guide post.
 - Sliding surfaces of table trunnions.
2. Oil any pins, shafts, and joints. (Do not get oil on pulleys or belts.)
3. Clean and oil the blade tension mechanism if it becomes difficult to adjust.

Note: Bearings on the band saw are pre-lubricated and sealed, and do not require attention.

10.2 Additional servicing

Any other servicing should be performed by an authorized service representative.

11.0 Blade Selection Guide

Table 3

Identify the material and thickness of your workpiece. The chart will show the recommended PITCH, blade TYPE, and FEED RATE.

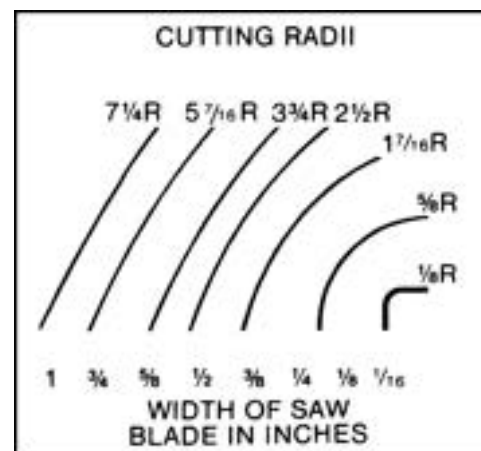
Key: H – Hook L – Low
 S – Skip M – Medium
 R – Regular H – High

Example: 10/H/M means 10 teeth per inch / Hook Type Blade / Medium Feed

Material/s		Workpiece Thickness			
		1/2"	1"	3"	6+"
Woods	Hardwood	10/R/L	8/R/L	3/H/M	3/H/M
	Softwood	10/R/L	8/R/L	3/H/M	3/H/M
Non-Metals	Carbon	10/R/L	6/R/L	3/S/M	3/S/M
	Mica	32/R/L	--	--	--
	Asbestos	8/R/L	6/R/L	3/S/M	3/S/M
	Hard Rubber	10/R/L	8/R/L	6/R/M	2/S/H
Plastics	Formica	14/R/M	10/R/M	4/H/H	4/H/H
	Masonite	10/R/L	4/S/L	3/S/M	3/H/M
	Micarta	14/R/M	10/R/M	4/H/H	3/H/H
	Plexiglas	10/R/L	6/R/L	3/S/M	3/S/M
	Paper	14/R/L	10/R/L	4/S/L	3/S/M

Study the part drawing or prototype, or actually measure the smallest cutting radius required, and locate this radius (in inches) on the chart at the right. Follow the curve to where the approximate blade width is specified. If a radius falls between two of the curves, select the widest blade that will saw this radius.

This procedure should be used for making initial blade selections. These recommendations can, of course, be adjusted to meet specific requirements of a cutting job. Compromises may be necessary if you cannot find all needed specifications in a single blade.



12.0 Troubleshooting JWBS-14SFX Band Saw

12.1 Operational problems

Table 4

Symptom	Probable Cause	Correction
Table tilt does not hold position under load.	Lock handle not tight.	Tighten lock handle.
	Trunnion locking mechanism is broken or worn.	Replace trunnion locking mechanism.
Table will not tilt.	Trunnion not lubricated.	Lubricate trunnion.
	Trunnion jammed.	Disassemble and replace jammed parts.
Table vibration while sawing.	Band saw on uneven floor.	Place machine on level surface; use shims if needed.
	Loose fasteners.	Inspect and tighten screws, nuts, etc.
	Drive belt too slack.	Increase tension on drive belt. Replace belt if worn.
	Incorrect choice of saw blade pitch.	Check blade selection chart and use correct blade.
	Saw dust or debris on band wheel. Or tire is worn/damaged.	Keep band wheels clean. Replace tires if necessary.
Surface finish on workpiece is rough.	Blade pitch too coarse.	Change to finer pitch blade.
	Workpiece being fed too strongly.	Reduce feed force.
Blade cutting inaccurately. Cuts not straight.	Gum or pitch on blade.	Clean blade.
	Worn blade teeth or damaged blade.	Replace blade.
	Fence not parallel to blade.	Align fence properly.
	Incorrect adjustment of blade guides.	Adjust blade guides properly.
	Workpiece being fed too strongly.	Reduce feed force.
	Upper blade guides not located close enough to workpiece.	Position guides about 3/16" above workpiece.
	Incorrect choice of saw blade for that particular operation.	Install correct blade.
	Blade tension too light.	Increase tension.
Blade cannot be tensioned properly.	Tension spring is fatigued.	Replace tension spring (contact JET service representative).
Blade binds in workpiece.	Incorrect blade tension or damaged blade.	Correct accordingly.
	Blade too wide for desired radius.	Select narrower blade.
Blade forms cracks at base of teeth.	Teeth not suitable for operation, or incorrectly set.	Replace with proper blade.
	Blade thickness not suitable for band wheel diameter.	Replace with proper thickness blade.
	Blade sharpened incorrectly, becomes overheated.	Sharpen blade properly or replace.
	Band wheels have become misaligned.	Contact JET service representative.
Cracks on back edge of blade.	Workpiece being fed too quickly.	Reduce feed speed to lessen strain on blade.
	Welding on blade not perfectly aligned.	Eliminate welded part, and re-weld properly; or acquire a new blade. Round (i.e. "stone") the back edge of a new blade.
	Thrust bearing is worn; caused by constant contact with back of blade.	Replace thrust bearing. Adjust new bearing according to instructions.

Symptom	Probable Cause	Correction
Blade breaks prematurely.	Feed force too great.	Reduce feed force.
	Blade pitch too coarse.	Refer to blade selection chart; use finer pitch blade.
	Guide bearings not properly supporting blade.	Check guide bearings for correct position and signs of wear. Adjust or replace as needed.
	Blade tensioned too tightly.	Reduce tension.
Blade breaks close to weld.	Blade overheated during welding.	Have blade annealed, or eliminate brittle part and weld correctly.
	Blade cooled too rapidly after welding.	Have blade annealed, or eliminate brittle part and weld correctly.
Premature dulling of saw teeth.	Blade pitch too fine.	Refer to blade selection chart. Use blade with coarser pitch.
	Feed pressure too light.	Increase feed pressure.
	Cutting rate too low.	Increase feed pressure and cutting rate.
	Incorrect choice of blade.	Re-examine material. Select proper blade from chart.
	Chipped tooth or foreign object lodged in cut.	Stop saw and remove lodged particle. Replace blade if damaged.

12.2 Mechanical and electrical problems

Table 5

Symptom	Probable Cause	Correction *
Machine will not start/restart or repeatedly trips circuit breaker or blows fuses.	No incoming power.	Verify machine connections.
	Cord damaged.	Replace cord.
	Band Saw frequently trips.	One cause of overloading trips which are not electrical in nature is too heavy a cut. The solution is to reduce feed pressure into the blade. If this does not resolve the issue, check for a loose electrical lead.
	Building circuit breaker trips or fuse blows.	Verify that band saw is on a circuit of correct size. If circuit size is correct, there is probably a loose electrical lead.
	Switch or motor failure (how to distinguish).	If you have access to a voltmeter, you can separate a switch failure from a motor failure by first, verifying incoming voltage at 115 +/-10% (or 230+/-10%) and second, checking the voltage between switch and motor at 115 +/-10% (or 230+/-10%). If incoming voltage is incorrect, you have a power supply problem. If voltage between switch and motor is incorrect, you have a switch problem. If voltage between switch and motor is correct, you have a motor problem.
	Motor overheated.	Clean motor of dust or debris to allow proper air circulation. Allow motor to cool down before restarting.
	Motor failure.	Have a qualified electrician or motor repair shop test the motor for function.
	Miswiring of unit.	Double check to confirm all electrical connections are correct. Refer to wiring diagram to make needed corrections.
Band Saw does not attain full speed.	Switch failure.	If the start/stop switch is suspect, you have two options: Have a qualified electrician test the switch for function, or purchase a new start/stop switch and establish if that was the problem on change-out.
	Extension cord too light or too long.	Replace with adequate size and length cord.
	Low current.	Contact a qualified electrician.
	Motor failure.	Have a qualified electrician or motor repair shop test the motor for function.

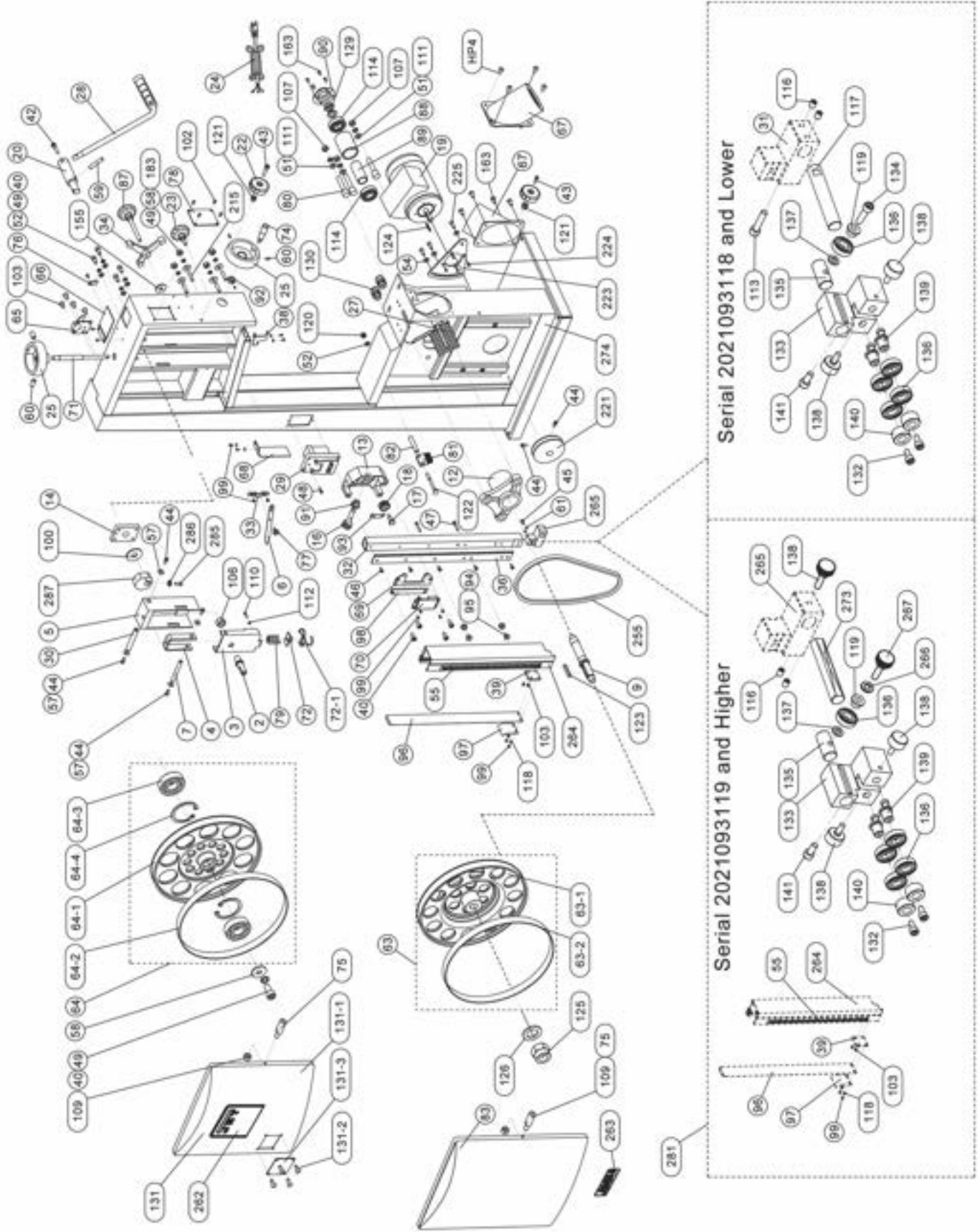
* **WARNING:** Some corrections may require a qualified electrician.

13.0 Replacement Parts

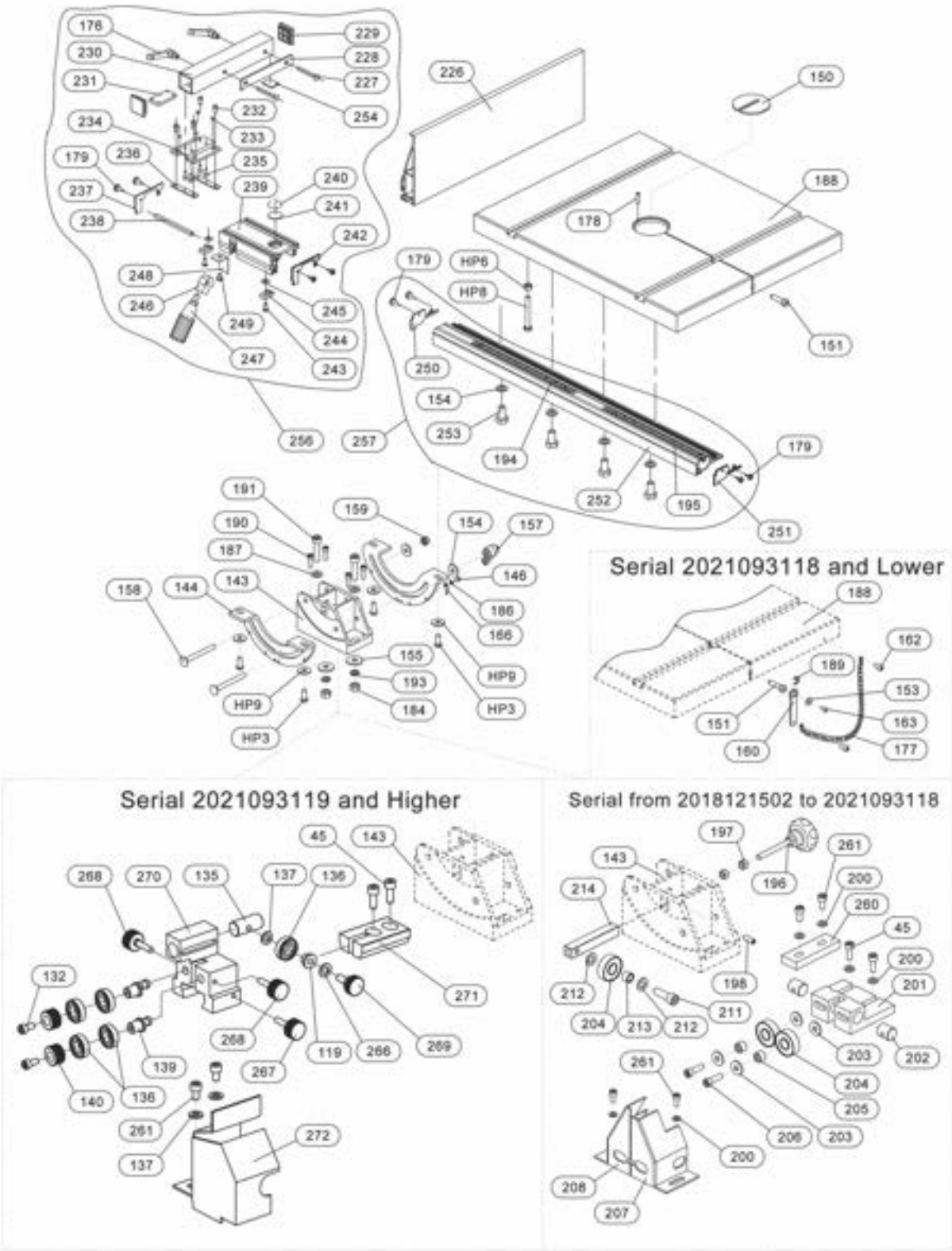
Replacement parts are listed on the following pages. To order parts or reach our service department, call 1-800-274-6848 Monday through Friday, 8:00 a.m. to 5:00 p.m. CST. Having the Model Number and Serial Number of your machine available when you call will allow us to serve you quickly and accurately.

Non-proprietary parts, such as fasteners, can be found at local hardware stores, or may be ordered from JET. Some parts are shown for reference only, and may not be available individually.

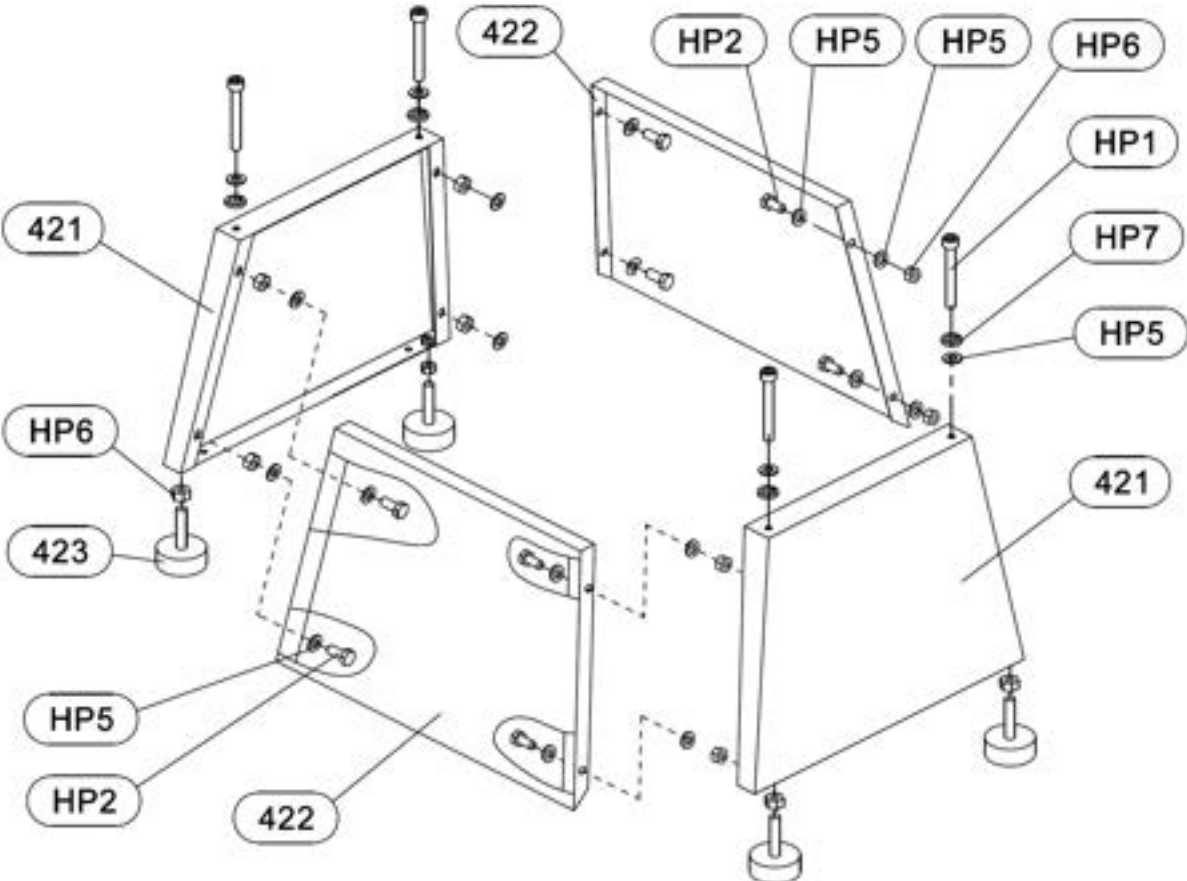
13.1.1 JWBS-14SFX (#714401) – Band Saw Assembly – Exploded View



13.1.2 JWBS-14SFX (#714401) – Table, Fence, Lower Blade Guide Assembly – Exploded View



13.1.3 JWBS-14SFX – Band Saw Stand Assembly – Exploded View



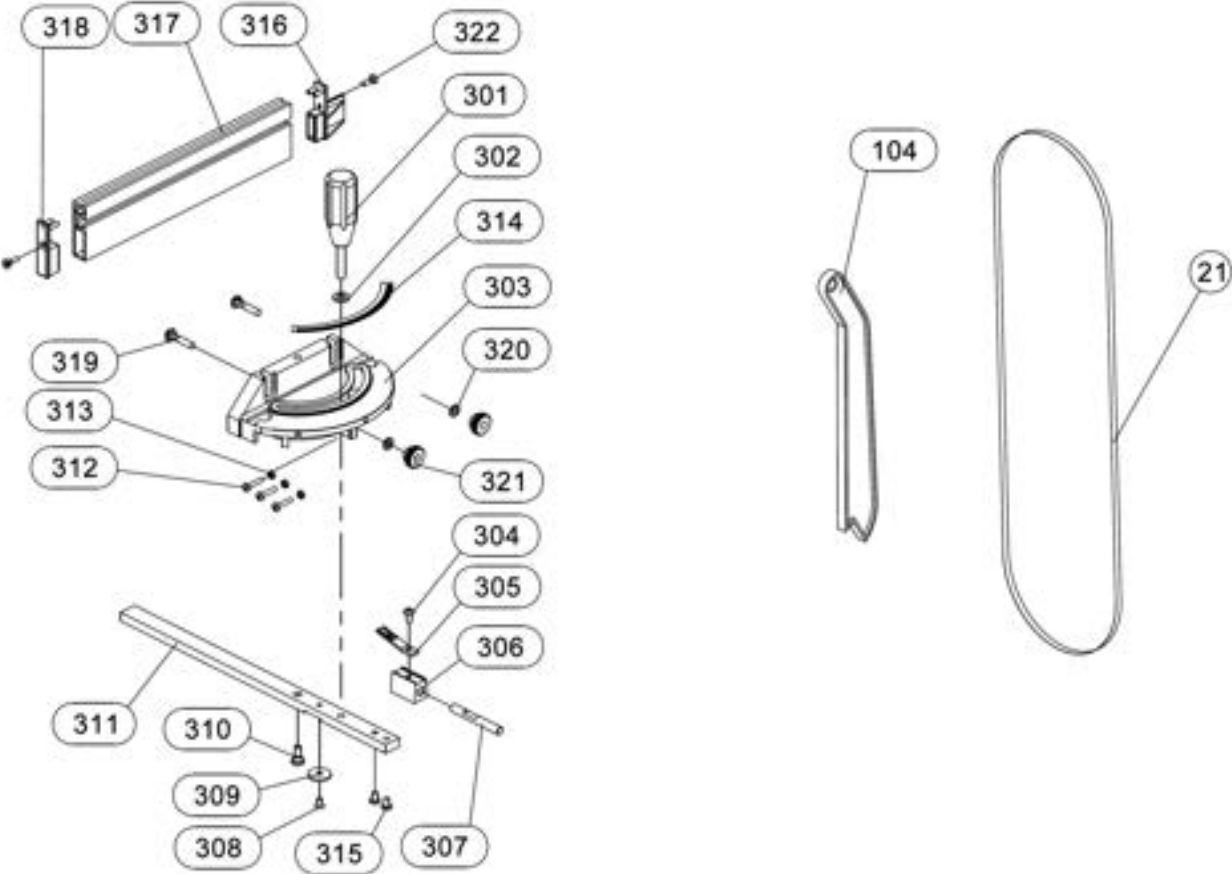
Serial 2018121502 and higher

13.1.4 JWBS-14LIT (#714403) – Band Saw Light Kit * – Exploded View



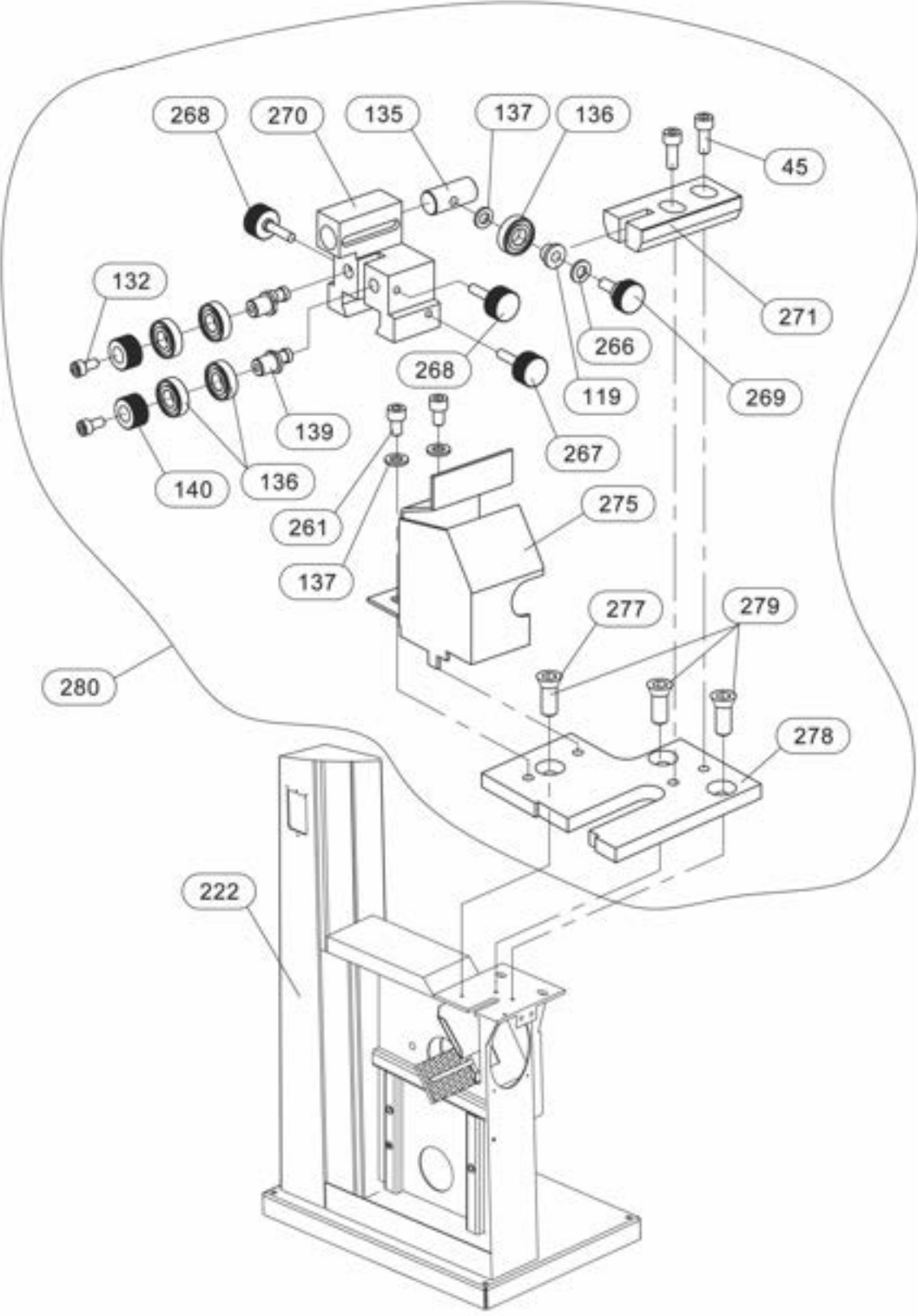
* Optional Accessory – see your dealer to order.

13.1.5 JWBS-14SFX (#714401) – Miter Gauge Assembly* – Exploded View



* Optional Accessory – see your dealer to order.

13.1.6 Retrofit Kit – Lower Blade Guide and Guard – To Install s/n2021093119 and Higher Components on S/N 2021093118 and Lower Saws – Exploded View



13.1.7 JWBS-14SFX Band Saw (#714401) – Parts List

Index No	Part No	Description	Size	Qty
002	JWBS14SFX-002	Upper Wheel Shaft		1
003	JWBS14SFX-003	Upper Wheel Axis Seat		1
004	JWBS14SFX-004	U-Bracket		1
005	JWBS14SFX-005	Guide Plate		1
006	JWBS14SFX-006	Tension Pointer		1
007	JWBS14SFX-007	Shaft		1
009	JWBS14SFX-009	Lower Wheel Shaft		1
012	JWBS14SFX-012	Lower Wheel Bracket		1
013	JWBS14SFX-013	Upper Guide Mount		1
014	JWBS14SFX-014	Eccentric Base		1
016	JWBS14SFX-016	Worm		1
017	JWBS14SFX-017	Gear Shaft		1
018	JWBS14SFX-018	Gear		1
019	JWBS14SFX-019	Motor Assembly	1.75HP, 115V/230V	1
	JWBS14SFX-019WD	Wiring Diagram (not shown)		1
	LM000333	Motor Label, JWBS-14SFX (not shown)		1
	JWBS14SFX-019MF	Motor Fan (not shown)		1
	JWBS14SFX-019MFC	Motor Fan Cover (not shown)		1
	JWBS14SFX-019RC	Running Capacitor (not shown)	40µF, 450V AC	1
	JWBS14SFX-019SC	Start Capacitor (not shown)	100µF, 275V AC	1
	JWBS14SFX-019JB	Junction Box (not shown)		1
	JWBS14SFX-019JBC	Junction Box Cover (not shown)		1
020	JWBS14SFX-020	Shaft		1
022	JWBS14SFX-022	Door Lock Knob		2
023	JWBS14SFX-023	Knob		1
024	JWBS14SFX-024	Power Cord	14AWGx3C, 5-15 plug	1
025	JWBS14SFX-025	Handwheel		1
027	JWBS14SFX-027	Wood Insert	70x113x7.5 mm	1
028	JWBS14SFX-028	Tension Handle and Grip		1
029	JWBS14SFX-029	Switch Assembly		1
030	JWBS14SFX-030	Shaft		1
031	JWBS14SFX-031	Upper Guide Mount (s/n2021083118 and Lower)		1
032	JWBS14SFX-032	Upper Guide Square Tube		1
033	JWBS14SFX-033	Tension Indicator Plate		1
034	JWBS14SFX-034	Handle		1
036	JWBS14SFX-036	Upper Guide Rack		1
038	JWBS14SFX-038	Guide Pointer		1
039	JWBS14SFX-039	Plate		1
040	TS-1504031	Socket Head Cap Screw	M8x16	13
042	TS-1504061	Socket Head Cap Screw	M8x30	1
043	TS-1502051	Socket Head Cap Screw	M5x20	3
044	TS-1503031	Socket Head Cap Screw	M6x12	6
045	TS-1503041	Socket Head Cap Screw (s/n23028014 and Lower)	M6x16	2
046	TS-1502021	Socket Head Cap Screw	M5x10	8
047	TS-1502071	Socket Head Cap Screw	M5x30	2
048	TS-2244162	Socket Head Button Screw	M4x16	2
049	TS-2361081	Lock Washer	8mm	9
051	TS-2361101	Lock Washer	10mm	3
052	TS-1550061	Flat Washer	8mm	5
054	TS-1550071	Flat Washer	10mm	6
055	JWBS14SFX-051	Cutting Height Scale		1
057	TS-1550041	Flat Washer	6mm	5
058	TS-1550061	Flat Washer	8mm	5
059	F010422	Socket Set Screw, CPP	M10x50	1
060	TS-1523041	Socket Set Screw	M6x12	5
061	TS-1522011	Socket Set Screw	M5x6	3
063	JWBS14SFX-063	Lower Wheel Assembly (#63-1 thru 63-2)		1
063-1	JWBS14SFX-063-1	Lower Wheel		1

Index No	Part No	Description	Size	Qty
063-2	JWBS14SFX-063-2	Tire		1
064	JWBS14SFX-064	Upper Wheel Assembly (#64-1 thru 64-4)		1
064-1	JWBS14SFX-064-1	Upper Wheel		1
064-2	JWBS14SFX-064-2	Tire		1
064-3	BB-6203ZZ	Bearing	6203/2RZ	2
063-4	F006035	C-Retaining Ring, Internal	40mm	2
065	JWBS14SFX-065	Electrical Socket		1
066	JWBS14SFX-066	Hinge Plate		1
067	JWBS14SFX-067	Dust Chute	100mm	2
068	JWBS14SFX-068	Protective Bending Plate		1
069	JWBS14SFX-069	Plate for Gear Box		1
070	JWBS14SFX-070	Gear Box Cover		1
071	JWBS14SFX-071A	Blade Tension Shaft (s/n 2019063134 and Higher)	200mm	1
072	JWBS14SFX-072	Connector Nut		1
	JWBS14SFX-072-1	Cotter Pin (not shown) (s/n 2019063134 and Higher)		1
074	JWBS14SFX-074	Knob		1
075	JWBS14SFX-075	Shaft		2
076	JWBS14SFX-076	Cord Clip		1
077	JWBS14SFX-077	Slotted Head Screw		1
078	JWBS14SFX-078	Sight Glass		1
079	JWBS14SFX-079	Spring		1
080	JWBS14SFX-080	Bolt		3
081	JWBS14SFX-081	Brush		1
082	JWBS14SFX-082	Spacer Bushing		1
083	JWBS14SFX-083	Lower Door		1
087	JWBS14SFX-087	Lock Handle		1
088	JWBS14SFX-088	Sleeve A		1
089	JWBS14SFX-089	Sleeve B		1
090	JWBS14SFX-090	Cover		1
091	JWBS14SFX-091	Thread Tube		1
092	JWBS14SFX-092	Collar		1
093	JWBS14SFX-093	Upper Guide Insert		1
094	JWBS14SFX-094	Washer A		2
095	JWBS14SFX-095	Washer B		2
096	JWBS14SFX-096	Plate		1
097	JWBS14SFX-097	Spring Plate		1
098	JWBS14SFX-098	Cover A		1
099	F009875	Socket Head Button Screw	M4x8	22
100	F009884	Socket Head Button Screw	M5x8	5
102	JWBS14SFX-102	Rivet	4x8mm	8
103	TS-2284082	Pan Head Machine Screw	M4x8	6
106	TS-154010	Hex Nut	M16	1
107	TS-1540081	Hex Nut	M12	3
109	TS-1540041	Hex Nut	M6	2
110	TS-1532052	Pan Head Machine Screw	M4x16	1
111	TS-2360121	Flat Washer	12mm	1
112	TS-1540021	Hex Nut	M4	1
113	TS-1503061	Socket Head Cap Screw (s/n2021083118 and Lower)	M6x25	1
114	BB-6205ZZ	Ball Bearing	6205/2RZ	2
116	TS-2276081	Socket Set Screw	M6x8	2
117	JWBS14SFX-117	Bearing Guide Rod		1
118	TS-1550021	Flat Washer	4mm	6
119	JWBS14SFX-119	Sleeve		2
120	TS-1541031	Nylon Lock Hex Nut	M8	1
121	TS-1541011	Nylon Lock Hex Nut	M5	2
122	JWBS14SFX-122	Carriage Bolt	M8x105	1
126	TS-2360181	Flat Washer	18mm	2
129	JWBS14SFX-129	Hex Nut	M18-1.5	1
130	JWBS14SFX-130	Strain Relief	M20-1.5	2
131	JWBS14SFX-131	Upper Door Assembly (#131-1 thru 131-3)		1
131-1	JWBS14SFX-131-1	Upper Door		1

Index No	Part No	Description	Size	Qty
123	F014011	Key, Dbl Rd Hd	8x50mm	1
124	6294761	Key, Dbl Rd Hd	6x45mm	1
125	JWBS14SFX-125	Nylon Lock Hex Nut, LH thds	M18 Left	1
131-2	JWBS14SFX-131-2	Rivet	4x8mm	4
131-3	JWBS14SFX-131-3	Sight Glass		1
132	TS-1502021	Socket Head Cap Screw	M5x10	4
133	JWBS14SFX-133	Upper Guide Base		1
134	TS-1503051	Socket Head Cap Screw	M6x20	2
135	JWBS14SFX-135	Bearing Nut		2
136	BB-61900ZZ	Ball Bearing	61900/2RZ	10
137	TS-1550041	Flat Washer	6mm	4
138	JWBS14SFX-138	Lock Knob		3
139	JWBS14SFX-139	Eccentric Shaft		4
140	JWBS14SFX-140	Bearing Bushing		4
141	TS-1503031	Socket Head Cap Screw	M6x12	1
143	JWBS14SFX-143	Lower Table Trunnion		1
144	JWBS14SFX-144	Upper Table Trunnion		2
146	F009884	Socket Head Button Screw	M5x8	1
150	JWBS14SFX-150	Table Insert		1
151	JWBS14SFX-151	Table Pin		1
153	TS-1550031	Flat Washer	5mm	1
154	TS-1550061	Flat Washer	8mm	6
155	TS-1550071	Flat Washer	10mm	2
157	JWBS14SFX-157	Lock Handle		1
158	JWBS14SFX-158	Carriage Bolt	M8x80	2
159	TS-1541031	Nylon Lock Hex Nut	M8	1
160	JWBS14SFX-160	Table Pin Wrench (s/n2021083118 and Lower)		1
162	F009875	Socket Head Button Screw (s/n2021083118 and Lower)	M4x8	2
163	F009884	Socket Head Button Screw	M5x8	8
166	JWBS14SFX-166	Pointer		1
176	JWBS14SFX-176	Adjustable Handle		2
177	JWBS14SFX-177	Chain (s/n2021083118 and Lower)		1
178	JWBS14SFX-178	Pin		1
179	F011652	Self-Tapping Screw	#8x3/8"	4
183	TS-2311081	Hex Nut	M8	3
184	TS-2311101	Hex Nut	M10	2
186	TS-1550031	Flat Washer	5mm	1
187	TS-1550071	Flat Washer	10mm	2
188	JWBS14SFX-188	Table		1
189	F006090	E-Retaining Ring (s/n2021083118 and Lower)	7mm	1
190	TS-1503051	Socket Head Cap Screw	M6x20	4
191	TS-1505061	Socket Head Cap Screw	M10x40	2
193	TS-2361101	Lock Washer	10mm	2
194	JWBS14SFX-194	Scale A		1
195	JWBS14SFX-195	Scale B		1
196	JWBS14SFX-196	Adjustable Handle (s/n2021083118 and Lower)		2
197	TS-1540041	Hex Nut (s/n2021083118 and Lower)	M6	2
198	TS-1523051	Socket Set Screw (s/n2021083118 and Lower)	M6x16	1
200	TS-1550041	Flat Washer (s/n2021083118 and Lower)	6mm	6
201	JWBS14SFX-201	Guide Base, Lower Guide (s/n2021083118 and Lower)		1
202	JWBS14SFX-202	Nut, Bearing (s/n2021083118 and Lower)		2
203	TS-1550041	Flat Washer (s/n2021083118 and Lower)	6mm	4
204	BB-6201ZZ	Ball Bearing (s/n2021083118 and Lower)	6201/2RZ	3
205	JWBS14SFX-205	Sleeve B (s/n2021093118 and Lower)		2
206	TS-1503051	Socket Head Cap Screw (s/n2021083118 and Lower)	M6x20	2
207	JWBS14SFX-207	Guard Right, Lower Guide (s/n2021083118 and Lower)		1
212	TS-1550061	Flat Washer (s/n2021083118 and Lower)	8mm	1
213	JWBS14SFX-213	Sleeve (s/n2021083118 and Lower)		1
214	JWBS14SFX-430	Guide Rod, Bearing (s/n2021083118 and Lower)		1
215	JWBS14SFX-215	Adjust Screw		1

Index No	Part No	Description	Size	Qty
208	JWBS14SFX-208	Guard Left, Lower Guide (s/n2021083118 and Lower)		1
211	TS-1504051	Socket Head Cap Screw (s/n2021083118 and Lower)	M8x25	1
221	JWBS14SFX-221	Motor Pulley		1
222	JWBS14SFX-222	Saw Body (s/n2021083118 and Lower)		1
223	JWBS14SFX-223	Motor Plate		1
224	TS-1514011	Socket Head Flat Screw	M6x12	4
225	TS-1505041	Socket Head Cap Screw	M10x30	3
226	JWBS14SFX-226	Fence		1
227	JWBS14SFX-227	Carriage Bolt	M6x50	2
228	JWBS14SFX-228	Lock Bar		1
229	JWBS14SFX-229	Cap for Fence Body		2
230	JWBS14SFX-230	Fence Body		1
231	JWBS14SFX-231	Guide Plate, Screw		1
232	TS-2246122	Socket Head Button Screw	M6x12	4
233	TS-1521011	Socket Set Screw	M4x4	4
234	JWBS14SFX-234	Connecting Plate		1
235	TS-1501041	Socket Head Cap Screw	M4x12	4
236	JWBS14SFX-236	Connecting Long Plate		2
237	JWBS14SFX-237	Left Cap for Fence Guide		1
238	JWBS14SFX-238	Lock Shaft		1
239	JWBS14SFX-239	Fence Guide		1
240	JWBS14SFX-240	Cursor Stop		1
241	JWBS14SFX-241	Cursor		1
242	JWBS14SFX-242	Right Cap for Fence Guide		1
243	TS-1533042	Pan Head Machine Screw	M5x12	2
244	JWBS14SFX-244	Low Stop Plate		2
245	JWBS14SFX-245	Insert Plate	M5	2
246	JWBS14SFX-246	Eccentric Locking Rod		1
247	JWBS14SFX-247	Lock Handle		1
248	JWBS14SFX-248	Eccentric Locking Spring		1
249	TS-2284082	Pan Head Machine Screw	M4x8	1
250	JWBS14SFX-250	Left Cap for Fence Rail		1
251	JWBS14SFX-251	Right Cap for Fence Rail		1
252	JWBS14SFX-252	Fence Rail Extrusion		1
253	TS-1490021	Hex Cap Screw	M8x16	4
254	JWBS14SFX-254	Plate		1
255	VB-A860	V-Belt (s/n2018121502 and Higher)	A-860La	1
256	JWBS14SFX-256	Fence Body Assembly (includes #176,179,227~249,254)		1
257	JWBS14SFX-257	Rail Assembly (includes #179,194,195,250~252)		1
260	JWBS14SFX-260	Guide Base Positioning plate (s/n2021083118 and Lower)		1
261	TS-1503021	Socket Head Cap Screw	M6x10	2
262	JWBS14SFX-262	JET Logo with Adhesive (s/n2020098030 and Higher)	8.6"x8"	1
263	JWBS14SFX-263	JBS14 Model Logo with Adhesive (s/n2020098030 and Higher)		1
264	JWBS14SFX-264	Blade Guard (s/n2021093119 and Higher)		1
	JWBS14SFX-008	Blade Guard (s/n2021083118 and Lower)		1
	JWBS14SFX-037	Blade Guard Cover (s/n2021083118 and Lower)		1
	TS-1501011	Socket Head Cap Screw (s/n2021083118 and Lower)	M4X6	2
	TS-1550021	Flat Washer (s/n2021083118 and Lower)	4mm	2
265	JWBS14SFX-265	Upper Guide Mount (s/n2021093119 and Higher)		1
266	JWBS14SFX-266	Wave Washer (s/n2021093119 and Higher)	6mm	2
267	JWBS14SFX-267	Knurled Lock Knob A (s/n2021093119 and Higher)		2
268	JWBS14SFX-268	Knurled Lock Knob B (s/n2021093119 and Higher)		2
269	JWBS14SFX-269	Knurled Lock Knob C (s/n2021093119 and Higher)		1
270	JWBS14SFX-270	Guide Base, Lower Guide (s/n2021093119 and Higher)		1
271	JWBS14SFX-271	Wedge Way Guide (s/n2021093119 and Higher)		1
272	JWBS14SFX-272	Lower Blade Guard (s/n2021093119 and Higher)		1
273	JWBS14SFX-273	Bearing Guide Rod (s/n2021093119 and Higher)		1
277	TS-1513021	Socket Head Flat Screw (s/n2020035917 and Lower)	M5x12	1
278	JWBS14SFX-278	adapter plate (s/n2021083118 and Lower)		1
279	TS-1514011	Socket Head Flat Screw (s/n2021083118 and Lower)	M6x12	3

Index No	Part No	Description	Size	Qty
274	JWBS14SFX-274	Saw Body (s/n2021093119 and Higher)		1
275	JWBS14SFX-275	Lower Blade Guard (s/n2021083118 and Lower)		1
278	JWBS14SFX-278	adapter plate (s/n2021093118 and lower)		1
279	TS-1514011	Socket Head Flat Screw (s/n2021093118 and lower) M6x12		3
280	JWBS14SFX-280	Lower Blade Guard & Guide Assembly - for s/n2021093118 and Lower (#119, #132, #135, #136, #137; #139, #140, #45 #266 thru271, #275; #277, #278, #279)		1
281	JWBS14SFX-281	Upper Blade Guard & Guide Kit - for s/n2021083118 and Lower (#39, #55, #96, #97, #99, #103, #118, #264, #116, #119, #132, #133, #135 thru141; #265 thru 267; #273)		1
285	TS-1503041	Socket Head Cap Screw (s/n23028014 and Lower)	M6x16	1
285	TS-1503071	Socket Head Cap Screw (s/n23028015 and Higher)	M6x30	1
286	TS-2361061	Lock Washer (s/n23028015 and Higher)	6 mm	1
287	JWBS14SFX-015	Eccentric Shaft (s/n23028014 and Lower)		1
287	JWBS14SFX-287	Eccentric Shaft (s/n23028015 and Higher)		1
	LM000330	ID Label, JWBS-14SFX (not shown)		1
	LM000331	Warning Label, JWBS-14SFX (not shown)		1
	JET750-55	Hex wrench (not shown)	2.5mm	1
	TS-152704	Ball End Hex wrench (not shown)	3mm	1
	TS-152706	Hex wrench (not shown)	5mm	1
	TS-152707	Hex wrench (not shown)	6mm	1
	TS-227D081	Hex Wrench (not shown)	8mm	1
	LM000332	Quick Release Label, JWBS-14SFX (not shown)		1
	JWBS14SFX-HPN	Hardware Package (see sect. 5-1 for contents) (s/n 2018121502 and Higher)		
HP1	TS-1504101	Socket Head Cap Screw	M8x50	4
HP2	TS-2228161	Hex Cap Screw	M8x16	8
HP3	TS-2248202	Socket Head Button Screw	M8x20	4
HP4	F009884	Socket Head Button Screw	M5x8	4
HP5	TS-1550061	Flat Washer	8mm	20
HP6	TS-2311081	Hex Nut	M8	12
HP7	TS-2361081	Lock Washer	8mm	4
HP8	F009484	Hex Cap Screw	M8x65	1
HP9	JWBS14SFXHP9	Large Flat Washer	24x8x2mm	4

13.1.8 JWBS-14SFX Stand – Parts List

Index No	Part No	Description	Size	Qty
421	JWBS14SFX-421	Stand Base		2
422	JWBS14SFX-422	Stand Plate		2
423	JWBS14SFX-423	Rubber Foot		4
HP1	TS-1504101	Socket Head Cap Screw	M8x50	4
HP2	TS-2228161	Hex Cap Screw	M8x16	8
HP5	TS-1550061	Flat Washer	8mm	20
HP6	TS-2311081	Hex Nut	M8	12
HP7	TS-2361081	Lock Washer	8mm	4
	JWBS14SFX-429	JET Stripe, JWBS-14SFX (not shown)		1

13.1.9 JWBS-14LIT Light Kit* (#714403) – Parts List (Optional Accessory)

Index No	Part No	Description	Size	Qty
	714403	Band Saw Light Kit (#501 thru 503)		1
501	JWBS14SFX-503	Light Kit (110V—230V)		1
502	TS-1502041	Socket Head Cap Screw	M5x16	4
503	TS-152705	Hex Wrench	4mm	1
	LM000338	ID Label, JWBS-14LIT (not shown)		1

13.1.10 Miter Gauge Assembly for JWBS-14SFX Band Saw* (Optional Accessory)

Index No	Part No	Description	Size	Qty
	JWBS14SFX-300	Miter Gauge Assembly (#301 thru 322)		1
301	JWBS14SFX-301	Miter Gauge Handle		1
302	TS-1550061	Flat Washer	8mm	1
303	JWBS14SFX-303	Miter Gauge		1
304	TS-1534041	Flat Head Machine Screw	M5x10	1
305	JWBS14SFX-305	Pointer		1
306	JWBS14SFX-306	Pointer Base		1
307	JWBS14SFX-307	Shaft		1
308	JWP208-053A	Flat Head Machine Screw	M5x8	1
309	JWBS14SFX-309	Washer		1
310	JWBS14SFX-310	Screw		1
311	JWBS14SFX-311	Sliding Guide		1
312	TS-2284202	Pan Head Machine Screw	M4x20	3
313	TS-1540021	Hex Nut	M4	3
314	JWBS14SFX-314	Scale		1
315	TS-1533032	Pan Head Machine Screw	M5x10	2
316	JWBS14SFX-316	Cap A		1
317	JWBS14SFX-317	Miter Gauge Fence		1
318	JWBS14SFX-318	Cap B		1
319	JWBS14SFX-319	Carriage Bolt	M6x30	2
320	TS-1550041	Flat Washer	6mm	2
321	JWBS14SFX-321	Thumbnut	M6	2
322	F011652	Self-Tapping Screw	#8x3/8"	2

13.1.11 Optional Accessory* – Blade & Push Stick

Index No	Part No	Description	Size	Qty
104	JWBS14SFX-104	Push Stick, Red		1
021	JWBS14SFX-021	Blade	116.25" x 5/8" x 0.025" x 4 TPI	1

* Optional Accessory – see your dealer to order.

15.0 Warranty and service

JET warrants every product it sells against manufacturers' defects. If one of our tools needs service or repair, please contact Technical Service by calling 1-800-274-6846, 8AM to 5PM CST, Monday through Friday.

Warranty Period

The general warranty lasts for the time period specified in the literature included with your product or on the official JET branded website.

- JET products carry a limited warranty which varies in duration based upon the product. (See chart below)
- Accessories carry a limited warranty of one year from the date of receipt.
- Consumable items are defined as expendable parts or accessories expected to become inoperable within a reasonable amount of use and are covered by a 90 day limited warranty against manufacturer's defects.

Who is Covered

This warranty covers only the initial purchaser of the product from the date of delivery.

What is Covered

This warranty covers any defects in workmanship or materials subject to the limitations stated below. This warranty does not cover failures due directly or indirectly to misuse, abuse, negligence or accidents, normal wear-and-tear, improper repair, alterations or lack of maintenance. JET woodworking machinery is designed to be used with Wood. Use of these machines in the processing of metal, plastics, or other materials outside recommended guidelines may void the warranty. The exceptions are acrylics and other natural items that are made specifically for wood turning.

Warranty Limitations

Woodworking products with a Five Year Warranty that are used for commercial or industrial purposes default to a Two Year Warranty. Please contact Technical Service at 1-800-274-6846 for further clarification.

How to Get Technical Support

Please contact Technical Service by calling 1-800-274-6846. **Please note that you will be asked to provide proof of initial purchase when calling.** If a product requires further inspection, the Technical Service representative will explain and assist with any additional action needed. JET has Authorized Service Centers located throughout the United States. For the name of an Authorized Service Center in your area call 1-800-274-6846 or use the Service Center Locator on the JET website.

More Information

JET is constantly adding new products. For complete, up-to-date product information, check with your local distributor or visit the JET website.

How State Law Applies

This warranty gives you specific legal rights, subject to applicable state law.

Limitations on This Warranty

JET LIMITS ALL IMPLIED WARRANTIES TO THE PERIOD OF THE LIMITED WARRANTY FOR EACH PRODUCT. EXCEPT AS STATED HEREIN, ANY IMPLIED WARRANTIES OF MERCHANTABILITY AND FITNESS FOR A PARTICULAR PURPOSE ARE EXCLUDED. SOME STATES DO NOT ALLOW LIMITATIONS ON HOW LONG AN IMPLIED WARRANTY LASTS, SO THE ABOVE LIMITATION MAY NOT APPLY TO YOU.

JET SHALL IN NO EVENT BE LIABLE FOR DEATH, INJURIES TO PERSONS OR PROPERTY, OR FOR INCIDENTAL, CONTINGENT, SPECIAL, OR CONSEQUENTIAL DAMAGES ARISING FROM THE USE OF OUR PRODUCTS. SOME STATES DO NOT ALLOW THE EXCLUSION OR LIMITATION OF INCIDENTAL OR CONSEQUENTIAL DAMAGES, SO THE ABOVE LIMITATION OR EXCLUSION MAY NOT APPLY TO YOU.

JET sells through distributors only. The specifications listed in JET printed materials and on official JET website are given as general information and are not binding. JET reserves the right to effect at any time, without prior notice, those alterations to parts, fittings, and accessory equipment which they may deem necessary for any reason whatsoever. JET® branded products are not sold in Canada by JPW Industries, Inc.

Product Listing with Warranty Period

90 Days – Parts; Consumable items
1 Year – Motors; Machine Accessories
2 Year – Metalworking Machinery; Electric Hoists, Electric Hoist Accessories; Woodworking Machinery used for industrial or commercial purposes
5 Year – Woodworking Machinery
Limited Lifetime – JET Parallel clamps; VOLT Series Electric Hoists; Manual Hoists; Manual Hoist Accessories; Shop Tools; Warehouse & Dock products; Hand Tools; Air Tools

NOTE: JET is a division of JPW Industries, Inc. References in this document to JET also apply to JPW Industries, Inc., or any of its successors in interest to the JET brand.



427 New Sanford Road
LaVergne, Tennessee 37086
Phone: 800-274-6848
www.jettools.com