

## One Year Limited Warranty

Warrantor warrants to the original purchaser that the PortaMate PM5090/PM5093 will be free from defects in materials and workmanship under normal use and service for a period of one (1) year from the date of original purchase.

The obligation of this Warranty is limited to repair or replacement, at our option, of components which prove defective under normal use.

Any product or component claimed to be defective should be sent during Warranty period, postage prepaid to **Affinity Tool Works, 1161 Rankin, Troy, MI 48083, Attn: Warranty Department**, together with a copy of your original dated sales receipt. Call for authorization number before sending.

This warranty is in lieu of all other express warranties, obligations or liabilities. ANY IMPLIED WARRANTIES, OBLIGATIONS OR LIABILITIES, SHALL BE LIMITED IN DURATION TO THE ONE YEAR PERIOD OF THIS LIMITED WARRANTY. NO AGENT, REPRESENTATIVE, DEALER, OR EMPLOYEE OF THE COMPANY HAS THE AUTHORITY TO INCREASE OR ALTER THE OBLIGATIONS OF THIS WARRANTY.

This Warranty shall not apply to any product or component which in the opinion of the Warrantor has been modified or altered in any way, damaged as a result of an accident, misuse or abuse, or loss of parts. In no case shall the Warrantor be liable for any special or consequential damages, or any other costs or warranty, expressed or implied, whatsoever.

## Garantie limitée de un an

Le garant garantit à l'acheteur d'origine que le PortaMate PM5090/PM5093 sera exempt de défaut de matériaux et de fabrication dans des conditions d'usage et d'entretien normal pendant une période de un (1) an à partir de la date de l'achat d'origine.

Les obligations de cette garantie sont limitées à la réparation ou au remplacement, à notre discrétion, des composants dont il a été déterminé qu'ils sont défectueux suite à une utilisation normale.

Tout produit ou composant considéré défectueux doit être envoyé pendant la période de garantie, dans un colis affranchi à **Affinity Tool Works, 1161 Rankin, Troy, MI 48083, Attn: Warranty Department**, avec une copie du reçu original de vente daté. Appeler pour obtenir un numéro d'autorisation avant d'envoyer.

Cette garantie remplace toute autre garantie expresse, obligation ou responsabilité. TOUTE GARANTIE IMPLICITE, OBLIGATION OU RESPONSABILITÉ EST LIMITÉE À LA PÉRIODE DE UN AN DE CETTE GARANTIE LIMITÉE. AUCUN AGENT, REPRÉSENTANT, DÉTAILLANT OU EMPLOYÉ DE L'ENTREPRISE N'EST AUTORISÉ À AUGMENTER OU MODIFIER LES OBLIGATIONS DE CETTE GARANTIE.

Cette garantie ne peut s'appliquer à aucun autre produit ou composant qui, selon l'opinion du garant, a été modifié ou altéré en quelque manière, endommagé suite à un accident, mal utilisé ou abusé, ou encore perdu. En aucun cas le garant ne peut être responsable de dommages spéciaux ou consécutifs ou de tout autre coût ou garantie, explicite ou implicite.

## Garantía Limitada de Un Año

El fiador le garantiza al comprador original que el PortaMate PM5090/PM5093 estará libre de defectos de materiales y mano de obra bajo uso y servicio normales durante un período de un (1) año a partir de la fecha de la compra original.

La obligación de esta Garantía está limitada a reparación o reemplazo, a nuestra opción, de los componentes que se comprueben defectuosos bajo uso normal.

Cualquier producto o componente que se reclame defectuoso debe ser enviado durante el periodo de Garantía, franqueo prepago a **Affinity Tool Works, 1161 Rankin, Troy, MI 48083, Attn: Warranty Department**, junto con una copia de su recibo de compra original fechado. Llámenos antes de enviarlo para obtener un número de autorización.

Esta Garantía precede a todas las demás garantías expresas, obligaciones o responsabilidades. CUALQUIER GARANTÍA IMPLÍCITA, OBLIGACIÓN O RESPONSABILIDAD, ESTARÁ LIMITADA EN CUANTO A DURACIÓN AL PERIODO DE UN AÑO DE ESTA GARANTÍA LIMITADA. NINGÚN AGENTE, REPRESENTANTE, COMERCIANTE NI EMPLEADO DE LA COMPAÑÍA TIENE LA AUTORIDAD DE AUMENTAR O ALTERAR LAS OBLIGACIONES DE ESTA GARANTÍA.

Esta Garantía no aplicará a ningún producto ni componente que en la opinión del Fiador haya sido modificada o alterada de manera alguna, dañada como resultado de un accidente, mal uso o abuso, o pérdida de partes. Bajo ninguna circunstancia el Fiador será responsable por daños especiales ni consecuentes, ni por cualquier otro costo o garantía, expresada o implícita, pase lo que pase.

Customer Service Department • Service Clientèle • Departamento de Atención al Cliente

**866-588-0395 • www.boratool.com**

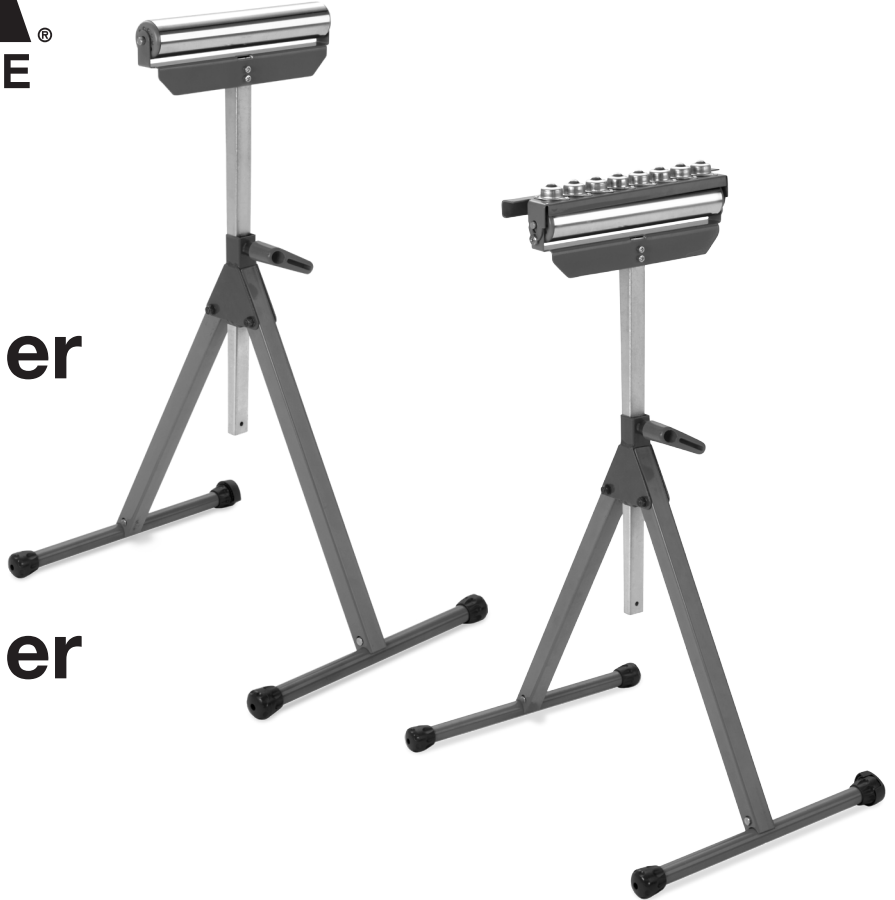


# **BORA**

P O R T A M A T E

## **PM5090 Standard Pedestal Roller**

## **PM5093 Deluxe Pedestal Roller**



## **OPERATORS MANUAL**

Assembly • Operation • Parts List • Warnings • Warranty

**Caution: Read all instructions carefully.**

**SAVE THESE INSTRUCTIONS. Refer to them often and use them to instruct others.**

## **MANUEL DE L'UTILISATEUR**

Assemblage • Fonctionnement • Liste de pièces • Avertissements • Garantie

**Mise en garde : Lire attentivement l'ensemble des instructions.**

**CONSERVER CES INSTRUCTIONS. Les consulter souvent et les utiliser pour éduquer les autres.**

## **MANUAL DEL OPERADOR**

Ensamble • Operación • Lista de Partes • Advertencias • Garantía

**Precaución: Lea cuidadosamente todas las instrucciones.**

**GUARDE ESTAS INSTRUCCIONES. Refiérase a las instrucciones y úselas para enseñarle a otras personas.**

Date Purchased/Date d'achat /Fecha de compra: \_\_\_\_\_

Where Purchased/Lieu d'achat /Dónde se compró: \_\_\_\_\_

Address/Adresse /Dirección: \_\_\_\_\_

# Congratulations!

You have just purchased a Portamate PM-5090 or PM-5093 folding pedestal roller. This versatile, sturdy workshop accessory is built for supporting material. This pedestal roller solves many woodworker's needs for stable support and freedom of movement when using larger work material. Quality cutting, planing or other machining operations depend on precise stability and material control. When working alone and using power tools, the Portamate pedestal roller becomes an important safety tool to prevent workplace injuries.

The pedestal roller has been manufactured under high quality standards to meet superior performance criteria. With proper care it should give you many years of dependable service. Before using, familiarize yourself with all the operating features and safety requirements.

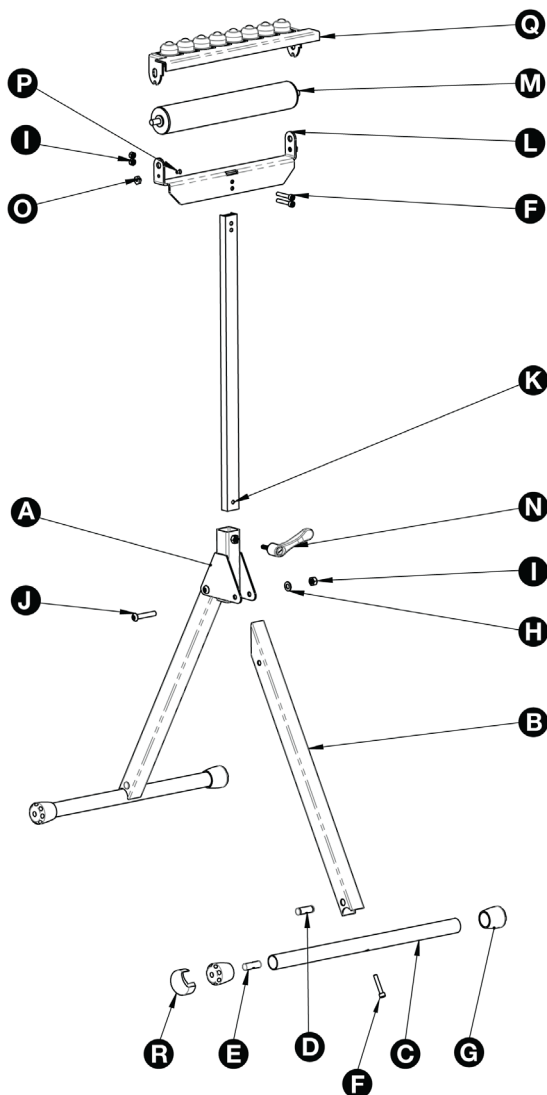
When unpacking this product be careful to check for all the parts listed in Figure-1. Sometimes hardware kits are accidentally discarded with the packaging material so do NOT throw anything away until you have completed the assembly process.

Save this owner's manual for future reference to the safety warnings, parts list, assembly instructions, operating and maintenance procedures. Just in case of warranty support, keep your payment receipt together with this manual.

## Parts List and Specifications

Tools Required: 5mm Allen Wrench, Adjustable Wrench

Figure 1



Description	Part No.	Qty.
<b>A</b> CENTER HINGE	PR106	1
<b>B</b> VERTICAL LEGS	PR107	2
<b>C</b> HORIZONTAL FEET	PR101	2
<b>D</b> 6MM THREADED CYLINDER NUT	HD500	2
<b>E</b> CYLINDER SLEEVE	PR108	3
<b>F</b> M5 X 35MM BOLT	HD214	4
<b>G</b> RUBBER FEET	PR109	4
<b>H</b> M6 FLAT WASHER	HD215	2
<b>I</b> M6 LOCK NUT	HD216	4
<b>J</b> M6 X 45MM BOLT	HD217	2
<b>K</b> EXTENSION ARM	PR110	1
<b>L</b> ROLLER BRACKET	PR111	1
<b>M</b> 12" BALL BEARING ROLLER	PR112	1
<b>N</b> HEIGHT ADJUSTMENT HANDLE	PR104	1
<b>R</b> ADJUSTABLE FOOT	PR116	1

PM 5093 ONLY		
<b>O</b> SHOULDER NUT	PR113	2
<b>P</b> BOLT FOR SHOULDER NUT	PR114	2
<b>Q</b> ROLLER BALL ATTACHMENT	PR115	1

# Important Safety Warnings

Read all instructions before setup and use of this product. Recognizing the hazards of each workshop operation and proper attention to safety to anticipate problems will considerably limit the risk of personal injury. Always use common sense. Your personal safety is your responsibility.

1. Do not use this pedestal roller to support people or animals. Do not sit or stand on it.
2. Keep children away. Never allow children to play with the pedestal roller.
3. Ensure that the material can be securely supported by the pedestal roller and will not vibrate or move unexpectedly during use.
4. Do not continue working if the pedestal roller tips, slides or moves in any way.
5. Do not exceed the maximum weight capacity of 200lbs.
6. Think safety and provide extra support like a second stand or consider getting assistance from another person for extremely large or long pieces when working.
7. Check for damaged parts before use. A broken part could compromise the strength and performance of the pedestal roller and create an unsafe operating condition.
8. Proper maintenance is your responsibility. For safety, periodically check hardware for tightness, and replace damaged components immediately.
9. When servicing, use only identical replacement parts. Use of other parts will void the warranty.
10. Use the pedestal roller on a flat and level surface.
11. Use the correct tools for the job. This roller top may not be suitable for every application.
12. Maintain safety labels on this tool for clear readability. If missing or unreadable, please contact HTC for a replacement.
13. Never stand or sit on tools.
14. Replace damaged components immediately.
15. Make sure your work platform is sufficiently sturdy to do the specific job at hand.
16. Properly anchor power tools to work stands.
17. Use correct blade for job being done.
18. Think Safety. Safety is a combination of operator awareness, common sense and alertness at all times.

# General Power Tool Safety Precautions

Using power tools of any kind can be dangerous if safe operating procedures are not followed. Recognizing the hazards of each tool and using them with respect and caution will considerably limit the risk of personal injury.

1. Keep the work area well illuminated and clean. Cluttered benches, misplaced tools, messy floors and dimly lit work surfaces can lead to injuries. Maintain a safe work environment by making sure you have an adequate surrounding workspace that is dry and clear of debris.
2. Stay Alert – Watch what you are doing and use common sense. Do not operate tools while you are tired, under the influence of drugs, alcohol or any medication. Avoid distractions because a moment of inattention while operating power tools may result in serious personal injury.
3. Dress Properly – Do not wear loose clothing, gloves, neckties, rings, bracelets or other jewelry that may get caught in moving parts. Non-slip footwear is recommended. Long hair must be contained.
4. Always Wear Safety Protection – Recommendations for power tool usage include: safety glasses that comply with ANSI Z87.1 standards, earmuffs to reduce noise exposure, and a face or dust mask to prevent inhalation of sanding dust.
5. Keep Children and Visitors Away – Operate tools at a safe distance from onlookers and distractions. Be cautious of flying debris and sparks if onlookers are present. Store power tools locked up and out of the reach of children. Tools are very dangerous in the hands of untrained users.
6. Do Not Overreach – Take care to maintain proper footing and balance at all time. Clamps and other practical ways to secure and support the workpiece or to keep power cords from moving during operation make work safer. Holding your work by hand or against your body for support is unstable and may lead to loss of control and injury.
7. Electrical Safety – If a tool is equipped with a three-prong plug then it is specifically designed for a grounded three-hole electrical receptacle. If an adapter or extension cord is used, always use a three-prong type attached to a known grounded electrical connection and NEVER remove the third prong. Do not abuse the cord. Keep the power cord away from heat, oil, water and sharp objects. Grasp the plug when disconnecting from the power receptacle and do NOT pull from the cord. Do not use electrically powered tools in the presence of flammable gases or liquids.
8. Do not carry a plugged in tool. Avoid accidental starting by making certain the switch is in the OFF position before plugging in the power cord. Never leave a tool running unattended.
9. Do Not Force Tool – The tool will do a better job and be safer sanding at a moderate rate.
10. Check Tools Regularly – Inspect tools periodically for misalignment or binding of moving parts, breakage or damaged parts. Repair or replace any damaged parts before further operation. Follow the instructions on recommended accessory changes and lubrication maintenance. Do not use a tool if the switch does not turn the tool on and off correctly. Storing tools in a dry location will inhibit performance damage due to rust.
11. Use only approved parts and accessories. The use of replacement parts from unauthorized sources may present a risk of personal injury. Accessories that may be suitable for one tool may become hazardous when used on another tool.
12. Warning: Work in a well ventilated area at all times. Dust from wood, plastic and other materials may be hazardous to your health so you should always wear a dust mask when sanding, sawing, grinding, drilling, etc. Many power tools provide built-in vacuum attachment dust ports designed to provide proper dust removal and it is highly recommended that you have one properly fitted to your tool when in operation to reduce your exposure to harmful chemicals.

# Assembly Instructions

See parts list table and Figure-1 for names and identification of the components and hardware.

Tools Required: 5mm Allen Wrench (included), Adjustable Wrench

Remove components from the box and spread them out to make certain that all parts and hardware are included and are not damaged from shipment. Complete the assembly before discarding the box.

1. Begin by inserting a Cylinder Nut (D) into the hole at the bottom of a Vertical Leg (B). Orient the hole in the Cylinder Nut to accept the M6 x 35mm bolt (F) as shown in Figure-2.
2. Place a M6 x 35 bolt (F) through the Horizontal Foot (C) as shown in Figure-3 so that the head of the screw is inside the tube. A 5mm Allen Wrench is useful to keep the screw steady during alignment.
3. Tighten the bolt firmly into the Cylinder Nut with the 5mm Allen Wrench.
4. Repeat Steps 1 – 3 for the other Vertical Leg.
5. Next fasten the two Vertical Legs together at the hinge point with an M6 x 45 bolt (J). Use a M6 washer (H) and an M6 lock nut (I) to complete the assembly as shown in Figure-4. The M6 bolt is tightened using a 5mm Allen Wrench while a standard adjustable wrench holds the nut steady.
6. Insert the Extension Arm (L) into the center hinge.
7. Fasten the Height Adjustment Handle (N) into the pre-drilled hole on the side of the hinge as shown in Figure-5.
8. Spread the stand legs open and rest it on the ground. Attach the roller bracket (L) using two M6 x 35 bolts (F) and M6 lock nuts (I) as shown in Figure-6.

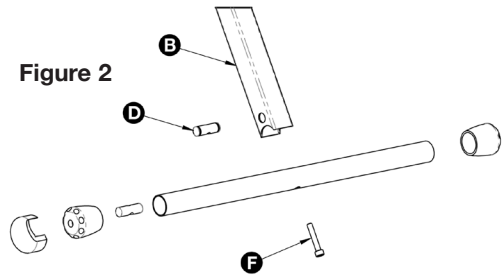


Figure 2

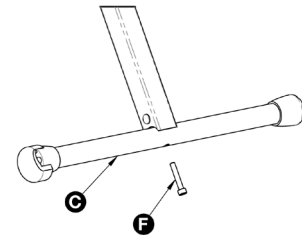


Figure 3

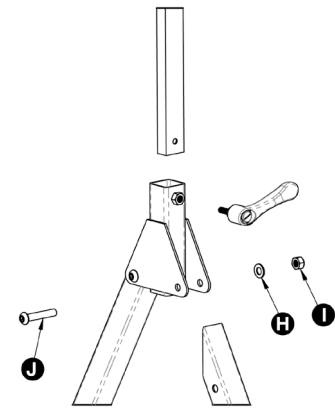


Figure 4

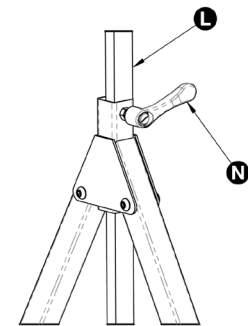
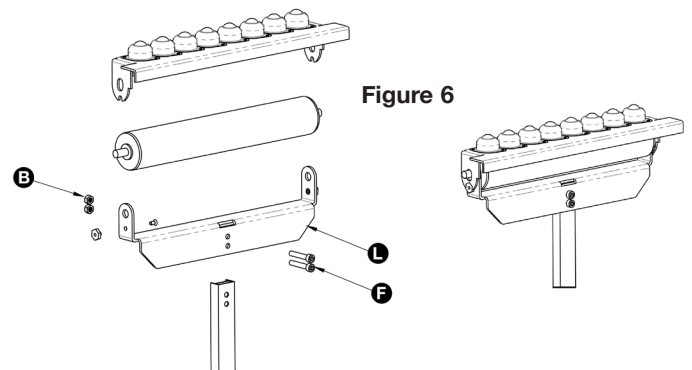


Figure 5



# Operating Instructions

Setting up the Pedestal Roller Stand properly is the key to safe use. This Stand is designed to safely support the maximum weight at the maximum height setting. Do not overload the stand.

1. Be sure the stand legs are fully opened and situated on a flat level surface.
2. Ensure the stand height is set level to the bottom of the workpiece for stability.
3. Be sure that the adjustable handle is fully tightened before using the stand.
4. It is extremely dangerous to loosen the adjustable handle while the stand is supporting a load.
5. Safe maintenance includes periodically checking all hardware for tightness prior to use.

## Adjusting the 3-in-1 Roller Head (PM-5093 model only)

The PM-5093 features a handy 3-in-1 roller head that can be set in three different positions depending on the project and the shape of your workpiece. See Figure-8.

1. Position-1: Flat surface up. Use this position if the workpiece needs to be supported but does not need to move, such as in a gluing or assembly process.
2. Position-2: Large roller surface up. Use this position when your project requires the workpiece to move only in one direction, such as an infeed or outfeed support in a sawing process.
3. Position-3: Ball bearing roller surface up. Use this position when the workpiece needs to move in more than one direction, such as aligning your piece under a drill press.

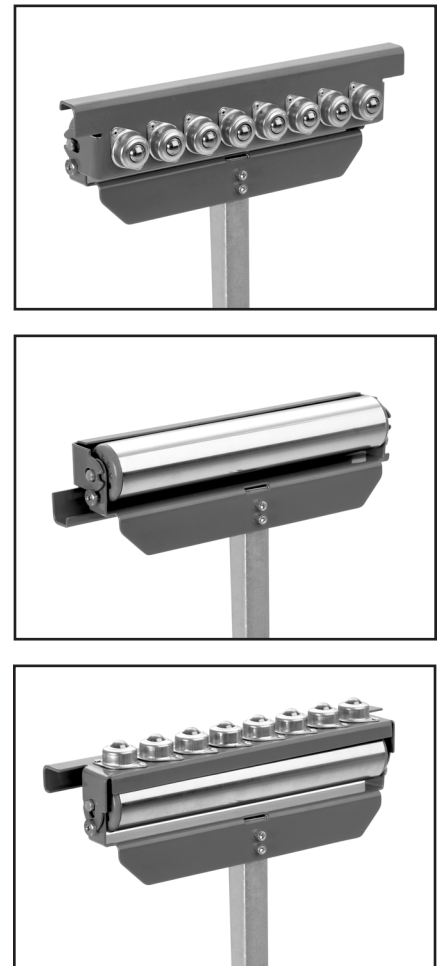


Figure 8

## Portamate Customer Support

Should you encounter any problems, need replacement parts, or have any questions about your PM-5090 or PM-5093 Pedestal Roller, call 1-800-624-2027. For assistance via email, contact [info@htcproductsinc.com](mailto:info@htcproductsinc.com).

# Félicitations!

Vous venez de vous procurer un support à rouleau pliant Portamate PM-5090 ou PM-5093. Cet accessoire polyvalent et robuste pour l'atelier est conçu pour soutenir des matériaux. Ce support à rouleau répond à la majorité des besoins des travailleurs du bois assurant un soutien stable et une liberté de mouvement lors de l'utilisation de matériaux plus grands. La qualité de la coupe, du rabotage ou tout autre travail d'usinage dépend d'une stabilité précise et un contrôle parfait du matériel. Lorsque vous travaillez seule et utilisez des outils électriques, le support à rouleau Portamate fournit une sécurité indispensable qui aide à prévenir des accidents de travail.

Les PM-5090 et PM-5093 ont été fabriquées en tenant compte des plus hautes normes de qualité afin de satisfaire à des critères supérieurs en rendement. En se conformant à un entretien approprié, cet équipement vous offrira plusieurs années d'utilisation fiable. Avant son utilisation, veuillez vous familiariser avec toutes les caractéristiques d'opérations ainsi qu'avec les contraintes de sécurité.

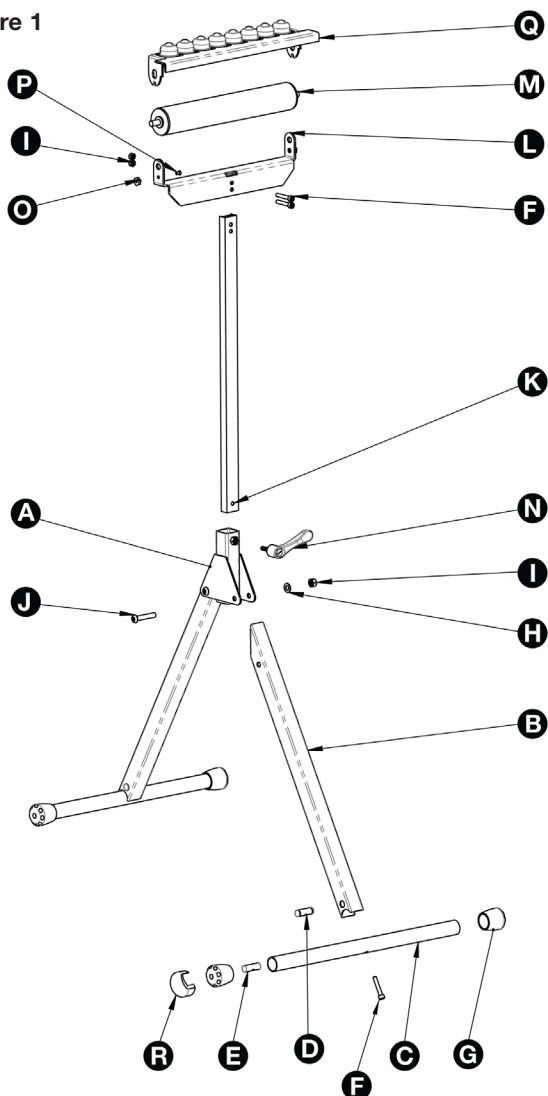
Lors du déballage de l'équipement, veuillez vérifier soigneusement que toutes les pièces énumérées à la Figure 1 sont présentes. Parfois les ensembles de quincaillerie sont accidentellement mis à la poubelle en même temps que les matériaux d'emballages alors, ne jetez rien jusqu'à la fin de la procédure d'assemblage.

Veuillez conserver ce manuel du propriétaire pour consulter ultérieurement les avertissements de sécurité, la liste des pièces, les instructions d'assemblage et les procédures d'entretien. Dans l'éventualité qu'un recours à la garantie soit nécessaire, veuillez garder votre preuve d'achat avec le manuel.

## Liste des pièces et caractéristiques

Outils requis (non compris) : clé hexagonale (Allen) 5 mm; clé hexagonale (Allen) 6 mm; et une clé réglable.

Figure 1



Description	Part No.	Qty.
<b>A</b> CENTER HINGE	PR106	1
<b>B</b> VERTICAL LEGS	PR107	2
<b>C</b> HORIZONTAL FEET	PR101	2
<b>D</b> 6MM THREADED CYLINDER NUT	HD500	2
<b>E</b> CYLINDER SLEEVE	PR108	3
<b>F</b> M5 X 35MM BOLT	HD214	4
<b>G</b> RUBBER FEET	PR109	4
<b>H</b> M6 FLAT WASHER	HD215	2
<b>I</b> M6 LOCK NUT	HD216	4
<b>J</b> M6 X 45MM BOLT	HD217	2
<b>K</b> EXTENSION ARM	PR110	1
<b>L</b> ROLLER BRACKET	PR111	1
<b>M</b> 12" BALL BEARING ROLLER	PR112	1
<b>N</b> HEIGHT ADJUSTMENT HANDLE	PR104	1
<b>R</b> ADJUSTABLE FOOT	PR116	1

### PM 5093 ONLY

<b>O</b> SHOULDER NUT	PR113	2
<b>P</b> BOLT FOR SHOULDER NUT	PR114	2
<b>Q</b> ROLLER BALL ATTACHMENT	PR115	1



# Importantes mises en garde de sécurité

Veillez lire toutes les instructions avant l'assemblage et l'utilisation de cet équipement. L'identification de tous les dangers liés aux travaux en atelier et une attention appropriée envers la sécurité afin de prévoir tout problème réduira considérablement les risques de blessures à la personne. Utilisez toujours votre bon sens. Votre sécurité personnelle est votre responsabilité.

1. N'utilisez pas ce support à rouleau pour soutenir des gens ou des animaux. Ne vous assoyez pas et ne vous tenez pas debout sur cet équipement.
2. Tenez les enfants éloignés. Ne laissez jamais des enfants jouer avec le support à rouleau.
3. Assurez-vous que le matériel peut être soutenu de manière sécuritaire par le support à rouleau et qu'il ne vibrera pas ni ne se déplacera de manière inattendue au cours de son utilisation.
4. Cessez tout travail si le support à rouleau bascule, glisse ou se déplace.
5. Ne dépassez pas la capacité maximum du poids. PM-5090: de 132 lb (60 kg) PM-5093: de 200 lb (91 kg)
6. Songez à la sécurité et utilisez un soutien supplémentaire, tel un deuxième support ou demandez de l'aide lors de travaux qui nécessitent des pièces extrêmement larges ou longues.
7. Vérifiez qu'aucune pièce n'est endommagée avant l'utilisation. Une pièce cassée peut compromettre la puissance et le rendement du support à rouleau et occasionner ainsi une situation dangereuse lors de son utilisation.
8. L'entretien approprié de l'équipement est votre responsabilité. Pour des raisons de sécurité, vérifiez périodiquement la quincaillerie afin d'assurer que toutes les pièces sont bien resserrées et remplacez immédiatement toute composante endommagée.
9. Lors de l'entretien de l'équipement, veuillez utiliser uniquement des pièces de rechange identiques. L'utilisation d'autres pièces annulera la garantie.
10. Utilisez le support à rouleau sur une surface droite et à niveau.
11. Utilisez les outils qui conviennent pour le travail. Ce rouleau n'est peut-être pas convenable pour certains travaux.
12. Assurez-vous que les étiquettes de sécurité sur l'outil soient visibles et faciles à lire. Si des étiquettes manquent ou sont illisibles, veuillez communiquer avec HTC afin d'obtenir des remplacements.

# Précautions générales de sécurité pour l'utilisation d'outils électriques

L'utilisation de tout outil électrique peut constituer un danger si les procédures de sécurité ne sont pas respectées. L'identification des dangers que présente chaque outil et une utilisation attentive et prudente diminueront considérablement les risques de blessures personnelles.

1. Gardez les lieux de travail bien éclairés et propres. Des établis de travail encombrés, outils égarés, parquets en désordre et surfaces de travail mal éclairées peuvent mener à des blessures. Maintenez un environnement de travail sécuritaire en vous assurant que vous avez un espace de travail adéquat qui est sec et libre de tout débris.
2. Restez alerte – concentrez-vous sur ce que vous faites et faites preuve de bon sens. N'utilisez pas les outils lorsque vous êtes fatigué, ou sous l'influence de drogues, de l'alcool ou de médicaments. Évitez les distractions puisqu'un instant d'inattention lors de l'utilisation d'outils électriques peut mener à des blessures graves à la personne.
3. Portez un équipement approprié – Ne portez pas de vêtements amples, de gants, de cravates, de bagues, de bracelets ni tout autre bijou qui pourraient se prendre dans les pièces en mouvement. Il est recommandé de porter des chaussures antidérapantes. Les cheveux longs doivent être attachés.
4. Portez toujours l'équipement de protection approprié – Les recommandations pour l'utilisation d'outils électriques incluent : les lunettes de sécurité (conformes aux normes ANSI Z87.1), les protections auriculaires pour réduire l'exposition aux bruits et un masque facial ou un masque anti-poussières pour éviter de respirer la poussière de ponçage.
5. Tenez les enfants et les visiteurs à l'écart – utilisez les outils à une distance suffisante des observateurs et des sources de distractions. Soyez alerte pour la présence de l'éjection de débris et étincelles lors de la présence de spectateurs. Entreposez les outils électriques dans un endroit verrouillé et hors de portée des enfants. Lorsqu'utilisé par des gens inexercés les outils présentent un extrême danger.
6. Ne vous penchez pas – faites attention de rester toujours d'aplomb et équilibré sur vos jambes. Des serre-joints et autres procédures pratiques utilisés pour fixer et soutenir la pièce de travail ou pour empêcher le déplacement des cordons d'alimentation au cours de travaux contribuent à assurer un travail sécuritaire. Tenir une pièce de travail dans vos mains ou la maintenir contre votre corps pour la soutenir rend le travail instable et peut mener à une perte de contrôle et des blessures.
7. Sécurité électrique – si l'outil est équipé d'une fiche à trois broches alors elle est spécialement conçue pour se brancher dans une prise électrique avec mise à la terre. En cas d'utilisation d'un adaptateur ou d'une rallonge, utilisez toujours un dispositif à trois broches relié à une connexion électrique dont vous êtes certain qu'elle est mise à la terre et ne retirez JAMAIS la troisième broche. Soyez attentif au cordon. Tenez le cordon d'alimentation éloigné de toute source de chaleur, d'huile, d'eau et d'objets tranchants. Saisissez la fiche lorsque vous la débranchez de la prise; NE tirez PAS sur le cordon pour la débrancher. N'utilisez pas des outils électriques lorsqu'il y a présence de gaz ou liquides inflammables.
8. Débranchez l'outil – mettez l'interrupteur en position « off » (arrêt) et débranchez l'outil lorsque vous ne vous en servez pas, avant tout entretien et lorsque vous changez les manchons et les cylindres de ponçage. Ne transportez pas un outil branché. Évitez les démarrages intempestifs – veillez à ce que l'interrupteur soit à la position « OFF » (Arrêt) avant de brancher le cordon à la prise électrique. Ne laissez jamais un outil en marche lors de votre absence.
9. Ne forcez pas l'outil – L'outil poncera bien mieux et de manière plus sûre s'il tourne à une vitesse modérée
10. Vérifiez les outils régulièrement – inspectez les outils périodiquement afin de détecter des désalignements, pincements de pièces mobiles, cassures ou pièces endommagées. Réparez ou remplacez, le cas échéant, avant de continuer à utiliser l'outil. Respectez les consignes sur les changements d'accessoires recommandés et la lubrification préventive. N'utilisez pas l'outil si l'interrupteur ne permet pas d'activer ou de désactiver l'outil correctement. L'entreposage d'outils dans un endroit sec aidera à prévenir une diminution du rendement en raison de dommages causés par la rouille.
11. Utilisez que des pièces et accessoires approuvés. L'utilisation de pièces de rechange parvenant de sources non autorisées peut mener à des blessures à la personne. Des accessoires qui conviennent à un outil peuvent présenter un danger si utilisés sur un autre outil.

12. Mise en garde : Travaillez toujours dans un endroit bien aéré. La poussière du bois, du plastique et d'autres matériaux peut nuire à votre santé. Portez toujours un masque à poussière lors de travaux de sablage, sciage, meulage, perçage, etc. Plusieurs outils comportent des dispositifs d'aspiration intégrée conçue pour offrir une élimination appropriée de la poussière. Afin de réduire votre exposition à des produits chimiques nocifs, il est fortement recommandé que vous équipez votre outil avec cet accessoire au cours de son utilisation.

## Instructions d'assemblage

Veuillez consulter le tableau de la liste des pièces et la Figure 1 pour obtenir le nom et l'identification des composantes et de la quincaillerie.

Outils requis (non compris) : clé hexagonale (Allen) 5 mm; clé hexagonale (Allen) 6 mm; et une clé réglable.

Retirez les composantes de la boîte et étendez-les afin de vérifier que toutes les pièces et la quincaillerie sont incluses et que ces dernières n'ont subi aucun dommage au cours de l'expédition. Complétez l'assemblage avant de jeter la boîte.

- Commencez par insérer l'écrou cylindrique (I) dans le trou situé au bas d'une patte verticale (B). Orientez le trou de l'écrou cylindrique vers le haut tel d'illustré à la Figure 2.
- Placez une petite vis (J) à travers du pied horizontal (A) comme illustré à la Figure 3 de manière à ce que la tête de la vis soit située à l'intérieur du tube. Une clé hexagonale (Allen) 5 mm (non comprise) est utile afin de maintenir la vis en position stable au cours de la procédure de centrage.
- Serrez fermement la petite vis dans l'écrou cylindrique en utilisant la clé hexagonale (Allen) 5 mm comme illustré à la Figure 4.
- Répétez les étapes 1 et 2 pour l'autre patte verticale.
- Ensuite, utilisez la grosse vis (F) pour fixer les deux pattes verticales ensemble à partir du point d'articulation. Utilisez une grosse rondelle (G) et un gros écrou (H) pour compléter l'assemblage comme illustré à la Figure 5. Utilisez une clé hexagonale (Allen) 6 mm (non comprise) pour serrer la grosse vis tout en utilisant une clé réglable standard pour maintenir l'écrou en place.
- Identifiez le trou à fente situé sur une extrémité du bras de rallonge interne (D). Ceci est le côté supérieur avant qui s'alignera avec les étiquettes de l'équipement. Insérez ce bras (D) dans la patte courte de manière à ce que le petit trou se situe en face de l'articulation arrière comme illustré à la Figure 6.
- Fixez la poignée de réglage de la hauteur (E) dans les trous prépercés situés sur le côté de l'articulation comme illustré à la Figure 6.
- Ouvrez les pattes du support et placez-le sur le sol. Ensuite, fixez l'ensemble de tête de rouleau (C) en utilisant une petite vis 5 mm (J), une petite rondelle (K) et un petit écrou (L) comme illustré à la Figure 6.

Figure 2

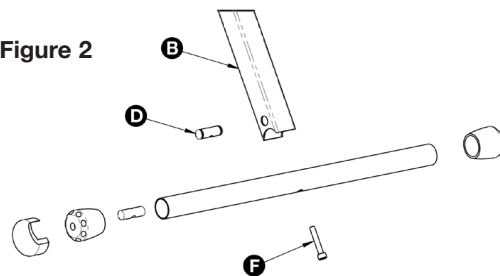


Figure 3

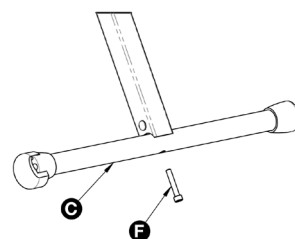


Figure 4

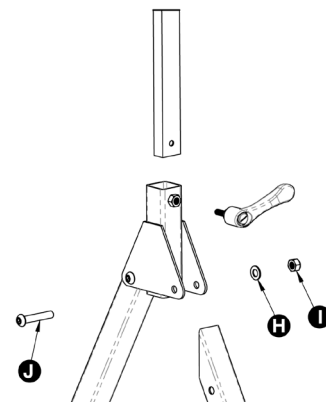


Figure 5

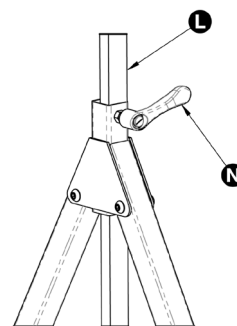
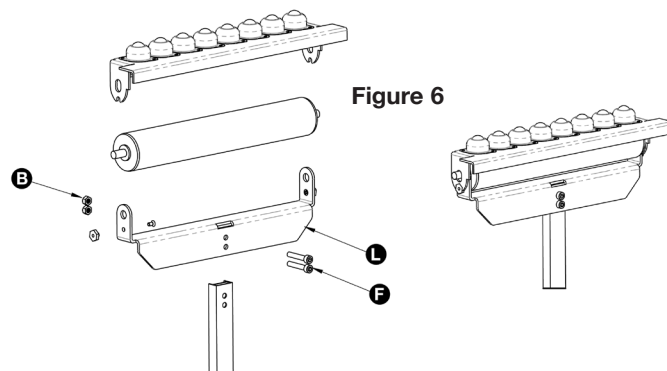


Figure 6



# Mode d'emploi

Un assemblage approprié du support à rouleau est essentiel pour assurer son utilisation en toute sécurité. Le support est conçu pour soutenir en toute sécurité un poids maximum à sa hauteur maximum. Ne surchargez pas le support.

1. Assurez-vous que les pattes du support sont complètement ouvertes et qu'elles reposent sur une surface droite et à niveau.
2. Enfin d'assurer la stabilité du support, assurez-vous que le haut du support est réglé à niveau et que le dessous de la pièce sur laquelle vous travaillez repose bien à plat sur les rouleaux.
3. Assurez-vous que la poignée réglable est fermement serrée avant l'utilisation du support.
4. C'est extrêmement dangereux de desserrer la poignée réglable lorsqu'une charge repose sur le support.
5. Un entretien sécuritaire inclut une vérification périodique de toute la quincaillerie afin d'assurer que toutes les pièces sont fermement resserrées avant l'utilisation du support.

## Réglage de la tête à rouleau 3 en 1 (Le seul modèle PM-5093)

Une caractéristique pratique de la PM-5093 consiste en une tête à rouleau 3 en 1 qui peut être placée dans trois positions différentes d'après le projet et la forme de la pièce sur laquelle vous travaillez. Voir Figure 8.

1. Position-1 : Surface plane — utilisez cette position si la pièce sur laquelle vous travaillez doit être soutenue, mais ne nécessite pas un déplacement; comme lorsque vous appliquez de la colle ou vous faites un assemblage.
2. Position-2 : Surface large du rouleau — utilisez cette position lorsque votre projet nécessite que la pièce sur laquelle vous travaillez doive se déplacer uniquement dans une direction; comme pour l'avance ou le recul de la pièce lors d'une opération de sciage.
3. Position-3 : Surface de roulement à billes — utilisez cette position si la pièce sur laquelle vous travaillez doit être déplacée dans plus d'une direction; comme pour le centrage de votre pièce sous une perceuse à colonnes.



Figure 8

## Soutien à la clientèle Portamate

Si vous avez des problèmes avec l'équipement, avez besoin de pièces de rechange ou que vous avez des questions à l'égard de votre support à rouleau PM-5090 ou PM-5093 veuillez appeler le 1-800-624-2027. Afin d'obtenir de l'aide par courriel, envoyez votre demande à : [info@htcproductsinc.com](mailto:info@htcproductsinc.com).

# ¡Felicitaciones!

Ha comprado un pedestal de rodillo plegable y portátil modelo PM-5090 o PM-5093 de Portamate. Este accesorio versátil y resistente de taller está construido para soportar material. Este pedestal de rodillo resuelve muchas de las necesidades del carpintero de un soporte estable y libertad de movimiento cuando usa materiales de trabajo grandes. Cortes de calidad, cepillado u otras operaciones de mecanizado dependen de una estabilidad precisa y control del material. Cuando trabaje solo y use herramientas eléctricas, el pedestal de rodillo Portamate se convierte en una importante herramienta de seguridad para impedir lesiones en el trabajo.

Los modelos PM-5090 y PM-5093 se han fabricado siguiendo estándares de calidad superiores para cumplir con los criterios de rendimiento más exigentes. Si se usa con cuidado, brinda varios años de servicio confiable. Antes de usar el pedestal de rodillo, debe familiarizarse con las características de operación y los requisitos de seguridad.

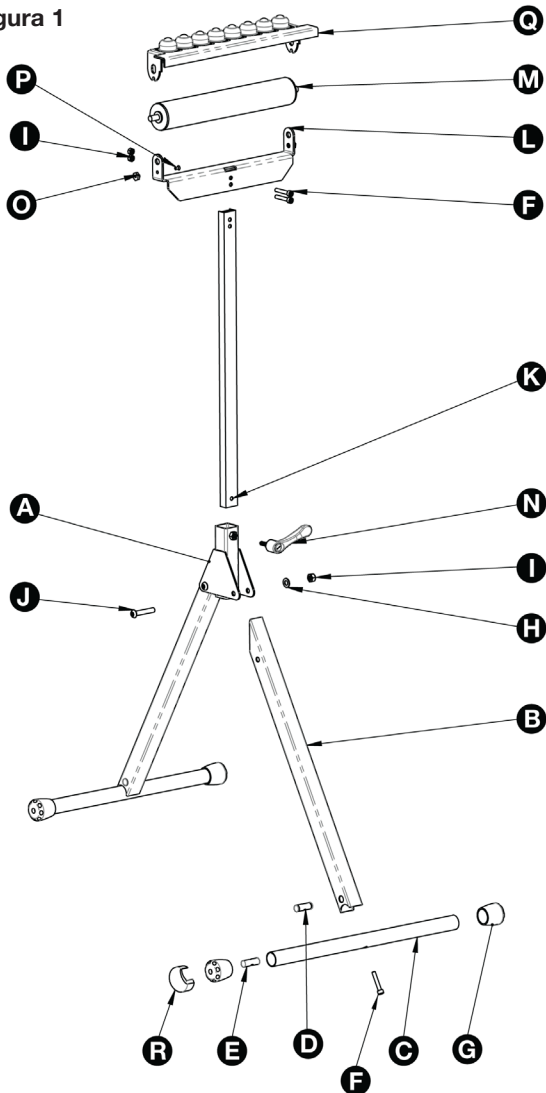
Cuando desembale este producto tenga cuidado de comprobar todas las piezas enumeradas en la Figura-1. A veces, juegos de accesorios se desechan accidentalmente con el material de embalaje, así que NO tire nada a la basura hasta que haya completado el proceso de ensamblaje.

Guarde este manual del propietario para referencia futura de avisos de seguridad, lista de piezas, instrucciones de ensamblaje y procedimientos de operación y mantenimiento. En caso de que tenga que usar la garantía, guarde su recibo de pago junto con este manual.

## Lista de piezas y especificaciones

Herramientas requeridas (no incluidas): Llave hexagonal de 5 mm, llave hexagonal de 6 mm, llave ajustable

Figura 1



Description	Part No.	Qty.
<b>A</b> CENTER HINGE	PR106	1
<b>B</b> VERTICAL LEGS	PR107	2
<b>C</b> HORIZONTAL FEET	PR101	2
<b>D</b> 6MM THREADED CYLINDER NUT	HD500	2
<b>E</b> CYLINDER SLEEVE	PR108	3
<b>F</b> M5 X 35MM BOLT	HD214	4
<b>G</b> RUBBER FEET	PR109	4
<b>H</b> M6 FLAT WASHER	HD215	2
<b>I</b> M6 LOCK NUT	HD216	4
<b>J</b> M6 X 45MM BOLT	HD217	2
<b>K</b> EXTENSION ARM	PR110	1
<b>L</b> ROLLER BRACKET	PR111	1
<b>M</b> 12" BALL BEARING ROLLER	PR112	1
<b>N</b> HEIGHT ADJUSTMENT HANDLE	PR104	1
<b>R</b> ADJUSTABLE FOOT	PR116	1

PM 5093 ONLY		
<b>O</b> SHOULDER NUT	PR113	2
<b>P</b> BOLT FOR SHOULDER NUT	PR114	2
<b>Q</b> ROLLER BALL ATTACHMENT	PR115	1

# Advertencias de seguridad importantes

Lea todas las instrucciones antes de instalar y usar este producto. Reconocer los peligros de cada operación de trabajo y prestar la atención debida a la seguridad para anticipar problemas, limitará considerablemente el riesgo de lesiones personales. Use siempre sentido común. Su seguridad personal es su responsabilidad.

1. No use este pedestal de rodillo para soportar personas o animales. No se siente ni ponga de pie encima.
2. Manténgala alejada de los niños. No deje nunca que los niños jueguen con el pedestal de rodillo.
3. Asegúrese que el material puede soportarse con seguridad por el pedestal de rodillo y que ni vibrará ni se moverá inesperadamente durante su uso.
4. No continúe trabajando si el pedestal de rodillo se ladea, resbala o se mueve de cualquier modo.
5. No exceda la capacidad máxima de carga. PM-5090: 132 lb (60 kg.) PM-5093: 200 lb (91 kg.)
6. Piense en la seguridad y proporcione un soporte extra como un segundo pedestal o considere obtener la asistencia de otra persona cuando trabaje con piezas extremadamente grandes o largas.
7. Compruebe si hay piezas dañadas antes de su uso. Una pieza rota pudiera comprometer la resistencia y rendimiento del pedestal; de rodillo y crear una condición de trabajo no segura.
8. El debido mantenimiento es su responsabilidad. Por seguridad, compruebe periódicamente que los accesorios tienen un buen ajuste y sustituya componentes dañados inmediatamente.
9. Cuando preste servicio, use solamente piezas de repuesto idénticas. El uso de otras piezas anulará la garantía.
10. Use el pedestal de rodillo sobre una superficie plana y nivelada.
11. Use las herramientas apropiadas para el trabajo. Este cilindro de apoyo puede que no sea adecuado para cada aplicación.
12. Mantenga las etiquetas de seguridad de esta herramienta para que puedan leerse claramente. Si faltan o no pueden leerse, por favor, póngase en contacto con HTC para una reposición.

# Precauciones generales de seguridad para herramientas eléctricas

El usar cualquier tipo de herramienta eléctrica puede ser peligroso si no se siguen los procedimientos debidos de seguridad. El reconocer los peligros de cada herramienta y el usarlas con respeto y precaución limitará considerablemente el riesgo de lesiones personales.

1. Mantenga el área de trabajo bien iluminada y limpia. Bancos desordenados, herramientas extraviadas, suelos muy sucios y superficies de trabajo mal iluminadas pueden producir lesiones. Mantenga un ambiente de trabajo seguro asegurándose de que tiene un espacio de trabajo circundante adecuado que está seco y libre de residuos.
2. Manténgase atento. Mire lo que hace y emplee el sentido común. No opere las herramientas si está cansado, si consumió drogas, alcohol o si tomó un medicamento. Evite distracciones porque un momento de distracción mientras maneja herramientas eléctricas puede resultar en lesiones personales graves.
3. Use la vestimenta adecuada. No use prendas sueltas, guantes, corbatas, anillos, pulseras u otro tipo de alhaja que pueda quedar atrapada en las piezas móviles. Se recomienda usar calzado antideslizante. Si tiene el cabello largo, debe recogerse.
4. Use siempre protección de seguridad – Las recomendaciones para el uso de herramientas eléctricas incluyen: gafas de seguridad que cumplan con las normas ANSI Z87.1, orejeras protectoras para reducir la exposición al ruido y una mascarilla o máscara antipolvo para evitar la inhalación del polvo del lijado.
5. Mantenga a los niños y visitantes alejados. Opere las herramientas a una distancia prudencial de los espectadores y de las distracciones. Tenga cuidado con residuos en el aire y chispas si hay personas mirando. Almacene las herramientas eléctricas bajo llave y lejos del alcance de los niños. Las herramientas son muy peligrosas en las manos de personal no entrenado.
6. No se estire demasiado. Asegúrese de mantenerse en posición firme y estable todo el tiempo. Mordazas y otros medios prácticos de sujetar y soportar la pieza de trabajo o el impedir que los cables de las herramientas eléctricas se muevan durante la operación hacen el trabajo más seguro. Sujetar su trabajo con la mano o contra su cuerpo por apoyo, es inestable y puede ocasionar pérdida de control y lesiones.
7. Seguridad eléctrica – Si una herramienta está equipada con un enchufe de tres clavijas entonces está específicamente diseñada para un tomacorriente de tres agujeros con conexión a tierra. Si se usa un adaptador o un cable prolongador, utilice siempre uno de tres clavijas conectado a un tomacorriente que usted sepa que tiene conexión a tierra y NUNCA retire el dispositivo de tres clavijas. No abuse el cable. Mantenga el cable alimentador alejado del calor, aceite, agua y objetos cortantes. Al desconectar la máquina, tome el enchufe para desconectar el cable del tomacorriente, NO tire del cable. No utilice herramientas eléctricas en presencia de gases o líquidos inflamables.
8. Desconecte la herramienta. Interrumpa la energía y desenchufe la herramienta cuando no esté en uso, antes de repararla y cuando cargue los tambores y los manguitos abrasivos. No transporte una herramienta mientras esté enchufada. Evite el arranque accidental. Cerciórese de que el interruptor esté en la posición “OFF” (apagado) antes de enchufar el cable eléctrico. No deje nunca una herramienta en marcha desatendida.
9. No fuerce la herramienta. Hará un mejor trabajo y el lijado será más seguro a una velocidad moderada.
10. Compruebe las herramientas frecuentemente – Inspeccione las herramientas periódicamente para desalineación o agarrotamiento de piezas móviles, rotura o piezas dañadas. Repare o reemplace cualquier pieza dañada antes de seguir haciendo funcionar la herramienta. Siga las instrucciones sobre los cambios de accesorios y el mantenimiento de la lubricación recomendados. No utilice una herramienta si el interruptor no enciende ni apaga dicha herramienta correctamente. El almacenamiento de las herramientas en un lugar seco inhibirá daño al desempeño debido al óxido.
11. Use solamente piezas y accesorios aprobados. El uso de piezas de repuesto de fuentes no autorizadas puede presentar un riesgo de lesiones personales. Accesorios que puedan ser adecuados para una herramienta pueden resultar peligrosos cuando se usan con otra herramienta.

12. Advertencia: Trabaje en un área bien ventilada en todo momento. El polvo de Madera, plástico y otros materiales puede resultar peligroso para su salud, así que debiera utilizar siempre una máscara anti polvo al lijar, cortar, moler, perforar, etc. Muchas herramientas eléctricas presentan una conexión incorporada para el aspirador del polvo diseñada para proporcionar la debida retirada del polvo y se recomienda encarecidamente que tenga una debidamente instalada en su herramienta cuando la use para reducir su exposición a productos químicos peligrosos.

## Instrucciones de montaje

Consulte la lista de piezas que se incluye en la Figura-1 para obtener información sobre los nombres y la identificación de los componentes y los elementos de montaje.

Herramientas requeridas (no incluidas): Llave hexagonal de 5 mm, llave hexagonal de 6 mm, llave ajustable

Retire los componentes de la caja y extiéndalos para asegurarse que todas las piezas y accesorios están incluidos y que no se dañaron durante el envío. Complete el montaje antes de tirar la caja.

1. Comience insertando una tuerca cilíndrica (I) en el agujero en la base de una pata vertical (B). Oriente el agujero de la tuerca cilíndrica hacia arriba como se muestra en la Figura-2.
2. Coloque un pequeño tornillo (J) a través del pie horizontal (A) como se muestra en la Figura-3 de forma que la cabeza del tornillo esté dentro del tubo. Una llave hexagonal de 5 mm (no incluida) resulta útil para mantener el tornillo fijo durante el alineamiento.
3. Apriete el tornillo pequeño firmemente en la tuerca cilíndrica con una llave hexagonal de 5 mm como se muestra en la Figura-4.
4. Repita los pasos 1 y 2 para la otra pata vertical.
5. A continuación sujete las dos patas verticales juntas en la bisagra con un tornillo grande (F). Use una arandela grande (G) y una tuerca grande (H) para completar el montaje como se muestra en la Figura-5. El tornillo grande se aprieta usando una llave hexagonal de 6 mm (no incluida) mientras que una llave inglesa ajustable estándar sujeta la tuerca.
6. Identifique el agujero acanalado en un extremo del brazo interno de extensión (D). Este es el lado frontal superior que se alineará con las etiquetas del producto. Inserte este brazo (D) en la pata corta de forma que el agujero pequeño esté de cara a la bisagra trasera como se muestra en la Figura-6.
7. Sujete el mando de ajuste de altura (E) en el agujero pre-taladrado en el lado de la bisagra como puede verse en la Figura-6.
8. Separe las patas y apóyelas en el suelo. Una el conjunto de la cabeza del rodillo (C) utilizando un tornillo pequeño de 5 mm (J) una arandela pequeña (K) y una tuerca pequeña (L) como se muestra en la Figura-6.

Figure 2

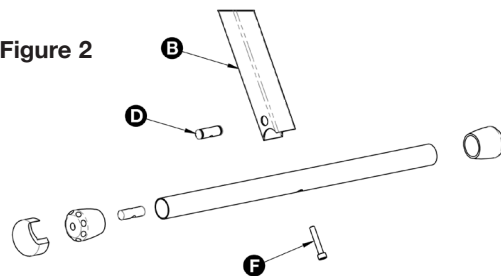


Figure 3

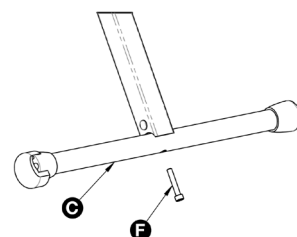


Figure 4

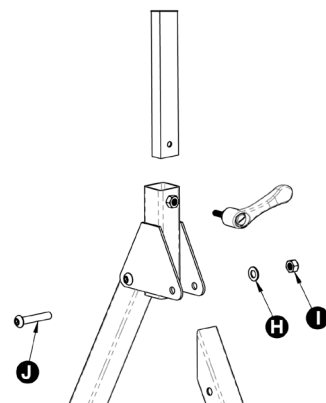


Figure 5

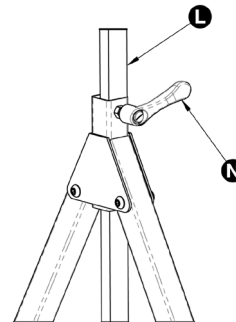
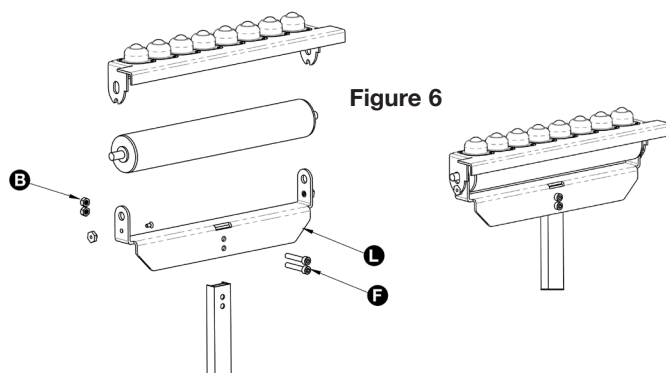


Figure 6





# Instrucciones de operación

El montaje correcto del pedestal de rodillo es clave para un uso seguro. Este pedestal está diseñado para soportar con seguridad la carga máxima a la máxima altura. No sobrecargue el pedestal.

1. Asegúrese que las patas del pedestal están completamente abiertas y situadas sobre una superficie plana y nivelada.
2. Asegúrese que la altura del pedestal está a ras de la parte inferior de la pieza de trabajo por estabilidad.
3. Asegúrese que el mango ajustable está bien apretado antes de utilizar el pedestal.
4. Es extremadamente peligroso aflojar el mango ajustable mientras el pedestal soporta una carga.
5. El mantenimiento seguro incluye la comprobación periódica de todos los accesorios para comprobar que están bien apretados antes de su uso.

## Ajuste de la cabeza del rodillo 3-en-1 (El modelo sólo PM-5093)

El PM-5093 presenta una conveniente cabeza de rodillo 3-en-1 que puede ajustarse en tres posiciones diferentes dependiendo del proyecto y la forma de su pieza de trabajo. Ver Figura-8.

1. Posición-1: Superficie plana arriba. Use esta posición si la pieza de trabajo necesita apoyarse pero no necesita moverse, tal como en un proceso de encolado o montaje.
2. Posición-2: Gran rodillo arriba. Use esta posición cuando su proyecto requiera que su pieza de trabajo se mueva solamente en una dirección, tal como un apoyo de entrada o de salida en un proceso de serrado.
3. Posición-3: Superficie con las bolas arriba. Use esta posición cuando la pieza de trabajo necesite moverse en más de una dirección, tal como al alinear su pieza bajo una taladradora.



Figure 8

## Apoyo al cliente de Portamate

Should you encounter any problems, need replacement parts, or have any questions about your PM-5090 or PM-5093 Pedestal Roller, call 1-800-624-2027. For assistance via email, contact [info@htcproductsinc.com](mailto:info@htcproductsinc.com).

