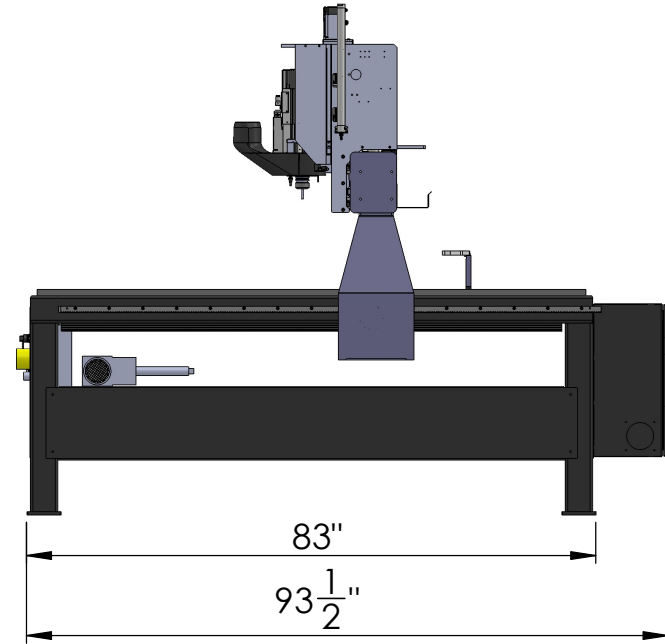
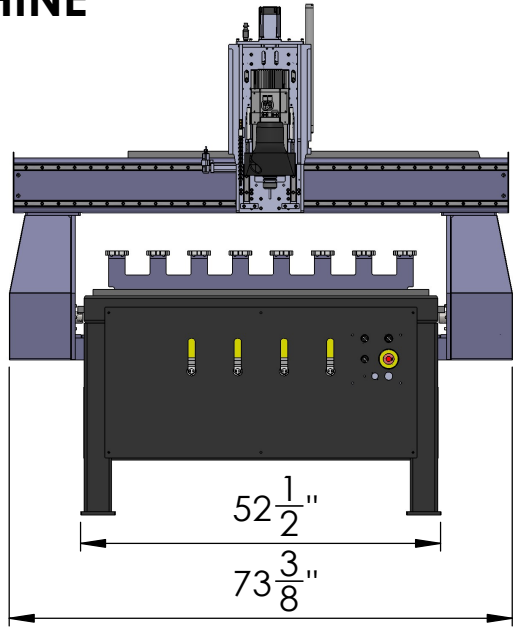
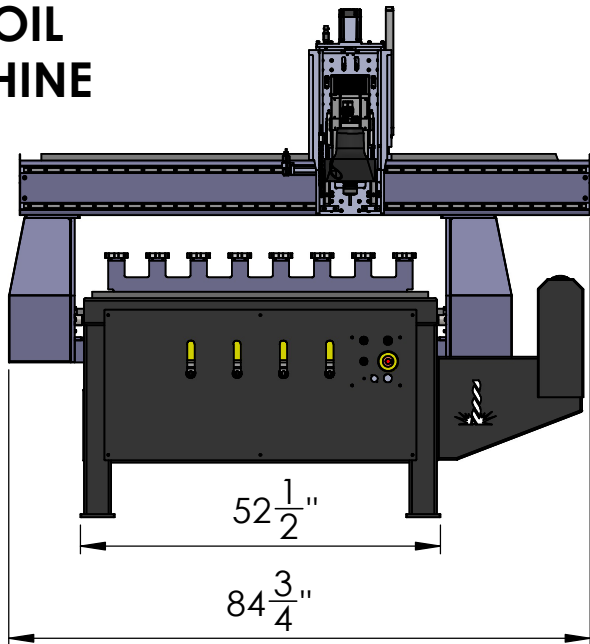


PANTHER 4x4

STANDARD MACHINE



RECOIL MACHINE



**MAXIMUM HEIGHT
WITHOUT LEVELING
FEET: 90"**

SKU NUMBER:
PT-404

CAMaster

PART NAME:
Panther

REV:
11/5/2024

CONFIGURATION:
DWG Standard 44

SCALE: 1:28

SHEET 1 OF 3