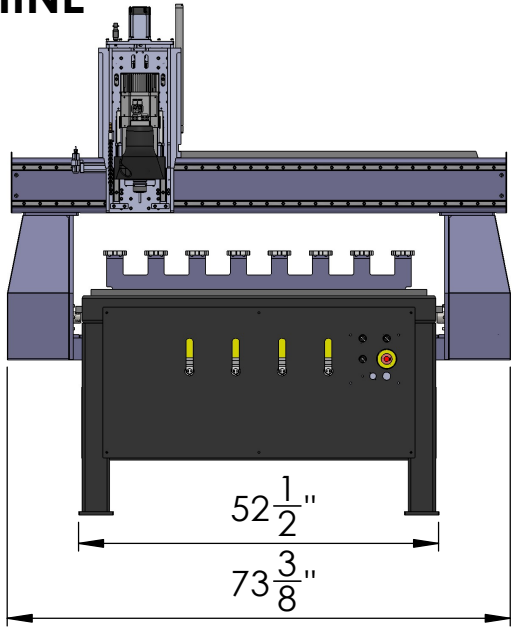
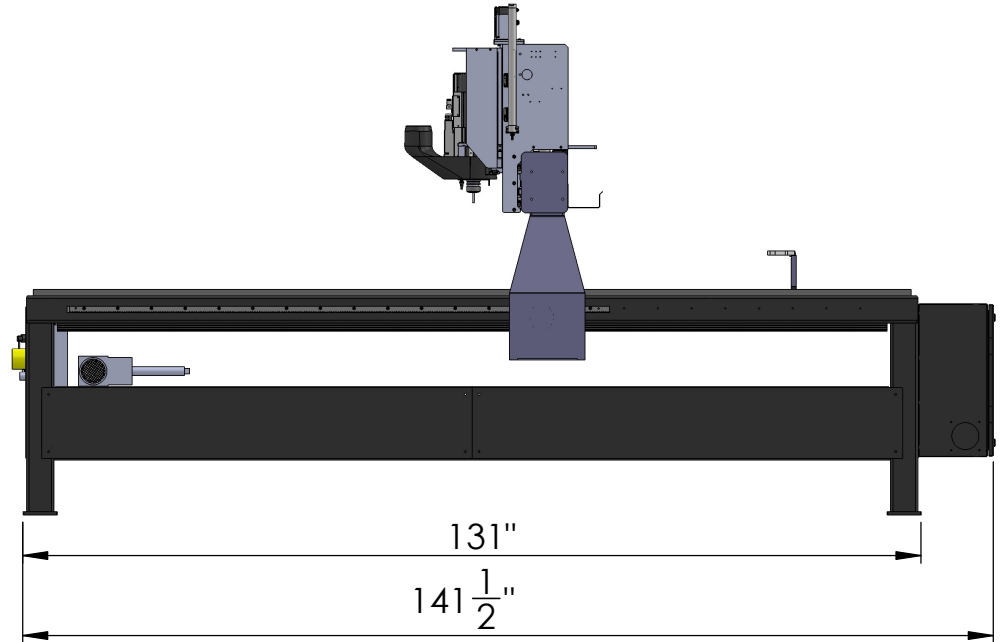


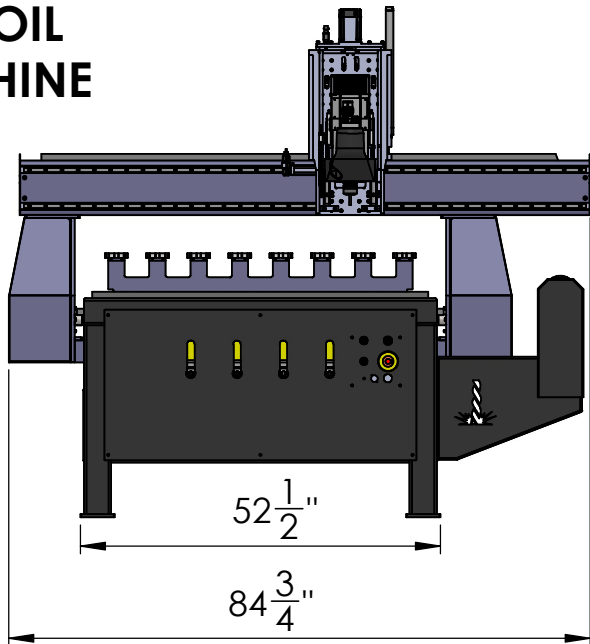
**STANDARD
MACHINE**



PANTHER 4x8



**RECOIL
MACHINE**



**MAXIMUM HEIGHT
WITHOUT LEVELING
FEET: 90"**

SKU NUMBER:
PT-408

CAMaster

PART NAME:
Panther

REV:
11/5/2024

CONFIGURATION:
DWG 48 Standard

SCALE: 1:28

SHEET 2 OF 3