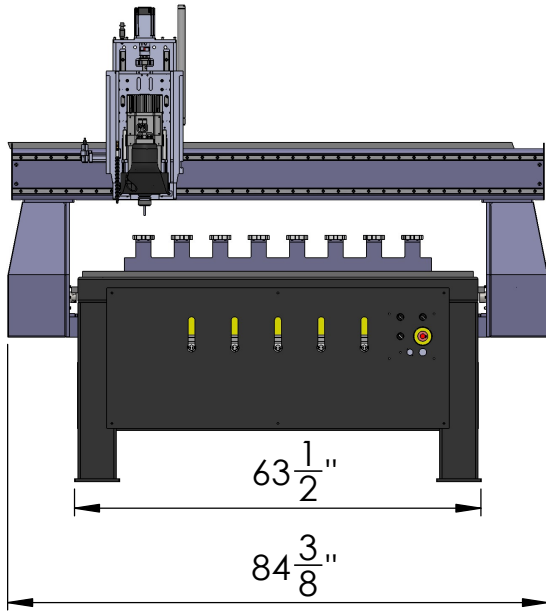
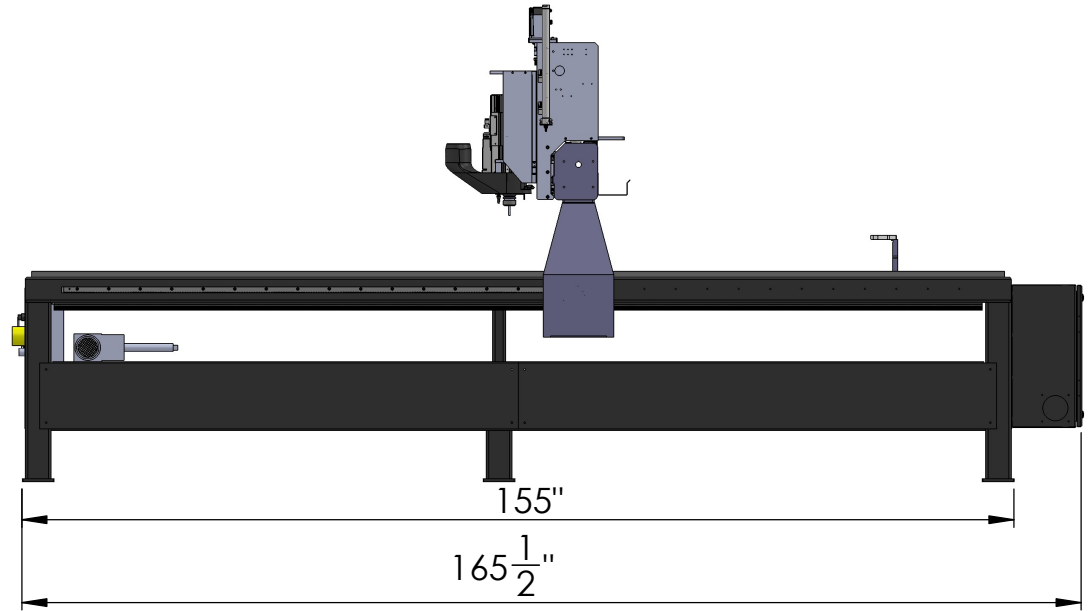


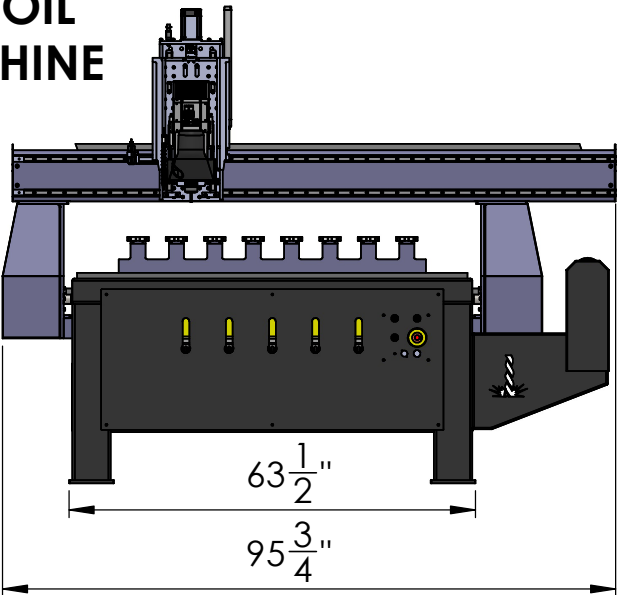
**STANDARD
MACHINE**



PANTHER 5x10



**RECOIL
MACHINE**



**MAXIMUM HEIGHT
WITHOUT LEVELING
FEET: 90"**

SKU NUMBER:
PT-510

CAMaster

PART NAME:
Centroid Panther

REV:
11/5/2024

CONFIGURATION:
DWG 510 Standard

SCALE: 1:30

SHEET 3 OF 3