

Woodpeckers[®]

2096 WORKHOLDING KIT

O W N E R ' S M A N U A L

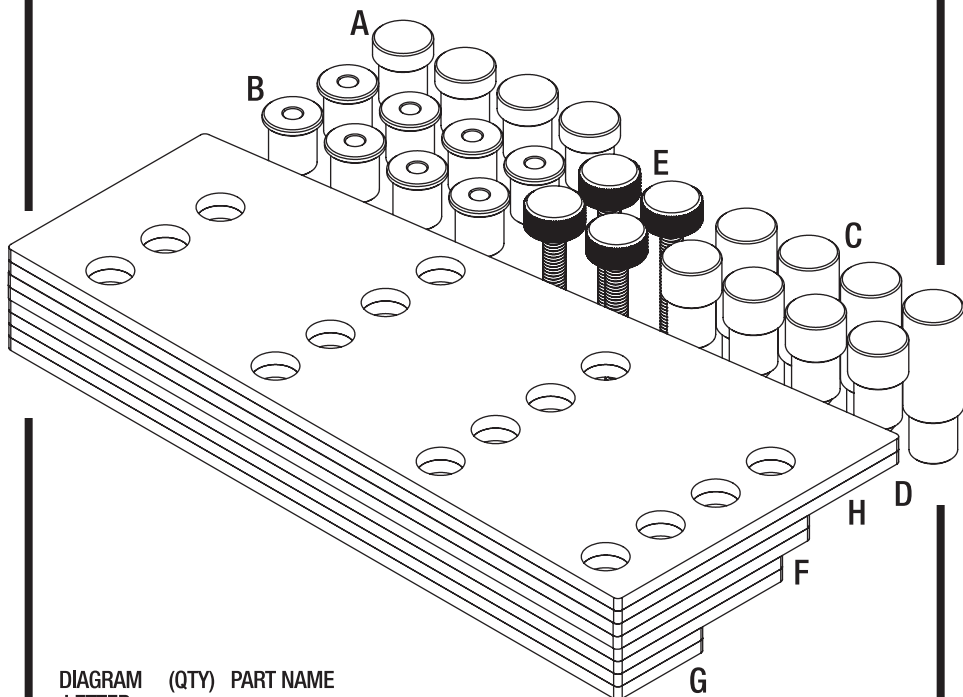


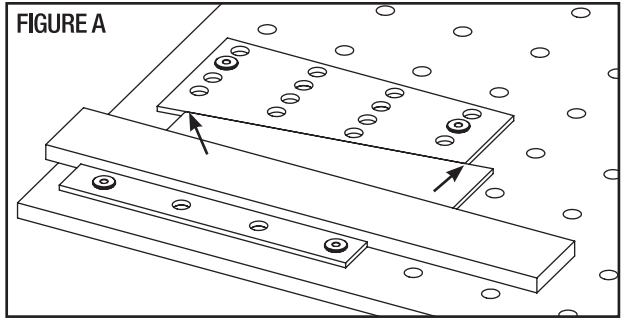
DIAGRAM LETTER	(QTY)	PART NAME
A	(4)	.375" Dogs
B	(8)	.125" Dogs
C	(4)	2" Dogs
D	(4)	0.7" Dogs
E	(4)	Adjustable Height Dogs
F	(4)	Floating Wedges
G	(2)	Straight Edge Stops
H	(2)	Fixed Wedges

The **Woodpeckers 2096 Workholding Kit** consists of a series of phenolic plates and dogs that enable you to quickly and efficiently secure your workpiece when using the Festool MFT table or your own table drilled with a gridwork of 20mm holes on 96mm centers.

If you think you're missing anything, email us at mailroom@woodpeck.com.
You can also call us at 800-752-0725 from 9:00 a.m. to 5:00 p.m. EST Monday - Friday.

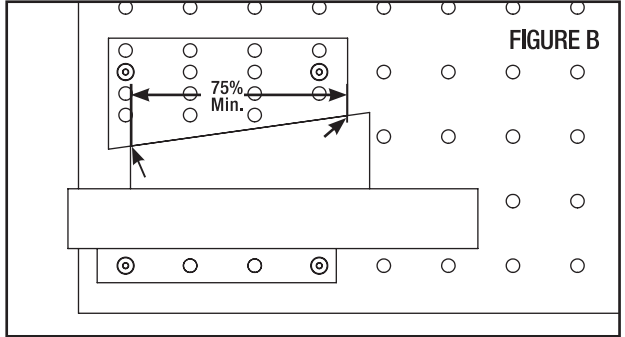
HOLDING STOCK

1. Place the wedges and stock on the table. Align the Fixed Wedge so that the holes line up with the holes in the MFT table and drop in two Dogs (size not critical) **FIGURE A.**



2. Place a Floating Wedge against the Fixed Wedge, with your material between the Floating Wedge and a Straight Edge Stop (also secured to the table with Dogs). The wedges should overlap at least 75%.

FIGURE B.



3. Hold round stock by securing two Fixed Wedges and a Straight Edge Stop to the table with a Floating Wedge applying pressure against the Straight Edge Stop. **FIGURE C.**

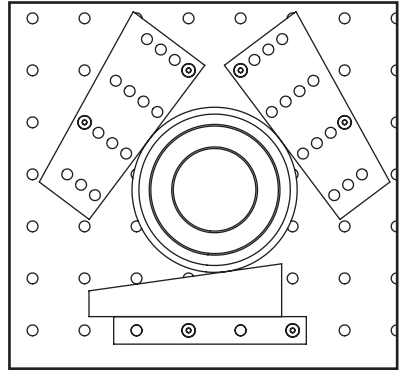


FIGURE C

4. Secure taller work by clamping it between a Fixed Wedge/Floating Wedge pair and two of the 2" Dogs. **Figure D.**

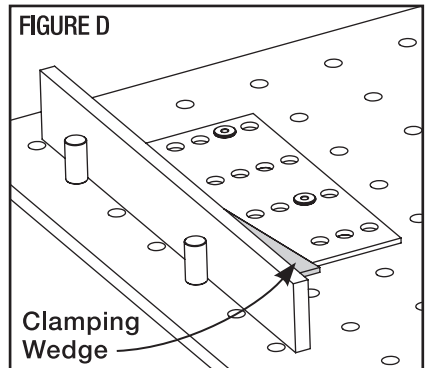


FIGURE D

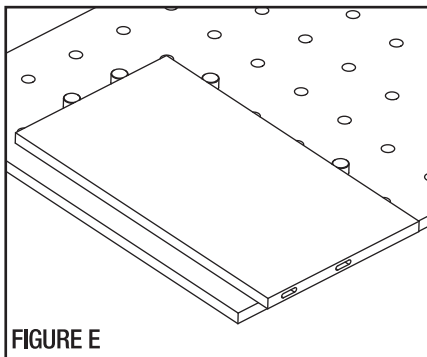


FIGURE E

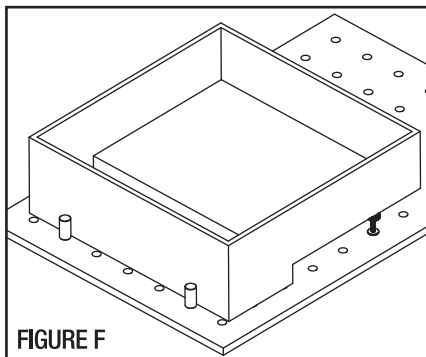


FIGURE F

DOGS

The Dogs in the Workholding Kit are designed to enable you to work with most standard sized material. The .125" Dogs are designed to provide the maximum amount of clearance. The 3/8" Dogs clear half inch stock. the 0.7" Dogs are designed to work with typical 3/4" and 18mm material and the 2" Dogs give support for larger projects. **FIGURES E & F.**

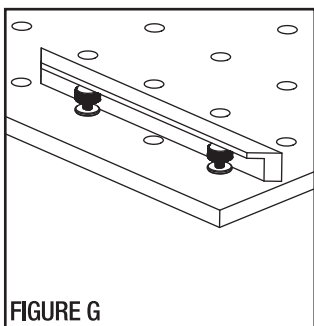


FIGURE G

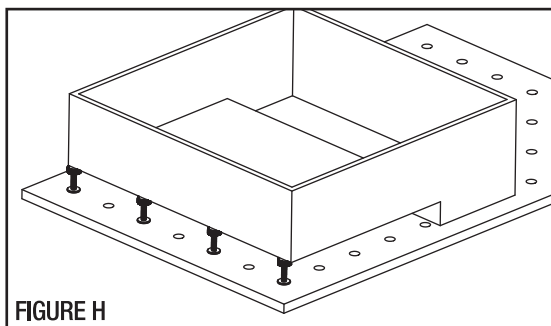


FIGURE H

ADJUSTABLE HEIGHT DOGS

1. Place the .125" Dogs into the table.
2. Thread the Adjustable Height Dogs into the .125" Dogs and adjust to the desired height. **FIGURES G & H.**

rev090319

Woodpeckers[®]

PRECISION WOODWORKING TOOLS

Woodpeckers, LLC Strongsville, Ohio · ***woodpeck.com***

© 2019 Woodpeckers, LLC



WARNING! This product can expose you to chemicals, including chromium, which is known to the State of California to cause cancer and birth defects or other reproductive harm. For more information go to www.P65Warnings.ca.gov