

# Woodpeckers®

**642SS** 

**1282SS** 

**1812SS** 

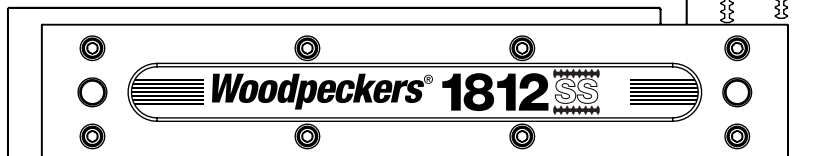
**2616SS** 

## PRECISION WOODWORKING SQUARES

O W N E R ' S M A N U A L

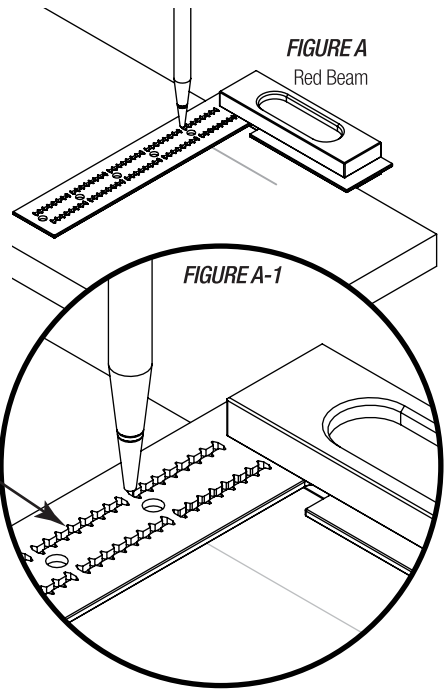
*All sold separately*

**Woodpeckers Stainless Steel Precision Squares** combine an accurate square with a tool designed for precision layout work. The laser-cut scribing guides in the blade will guide your pencil precisely parallel with the edge of your stock at a specific distance from that edge.

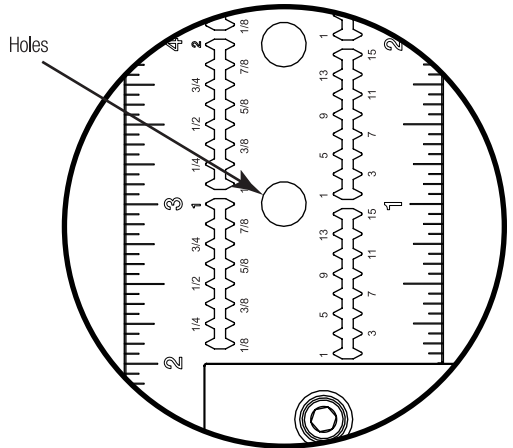


If you think you're missing anything, email us at [mailroom@woodpeck.com](mailto:mailroom@woodpeck.com).  
You can also call us at 800-752-0725 from 9:00 a.m. to 5:00 p.m. EST Monday - Friday.

1. Hold the red aluminum beam of the Square against the edge of your stock.
2. Place your pencil in the proper Scribing Guide. **FIGURE A & A-1.** *The Scribing Guides alternate from one side to the other in sixteenth inch increments.*
3. Slide the Square along the edge of your stock with one hand while keeping the pencil vertical in the scribing guide with the other.



**NOTE:** Holes spaced at 1"  
(32mm on metric versions)



# Woodpeckers®

PRECISION WOODWORKING TOOLS

Woodpeckers, LLC Strongsville, Ohio · [woodpeck.com](http://www.woodpeck.com)

© 2020 Woodpeckers, LLC



**WARNING!** This product can expose you to chemicals, including chromium, which is known to the State of California to cause cancer and birth defects or other reproductive harm. For more information go to [www.P65Warnings.ca.gov](http://www.P65Warnings.ca.gov)