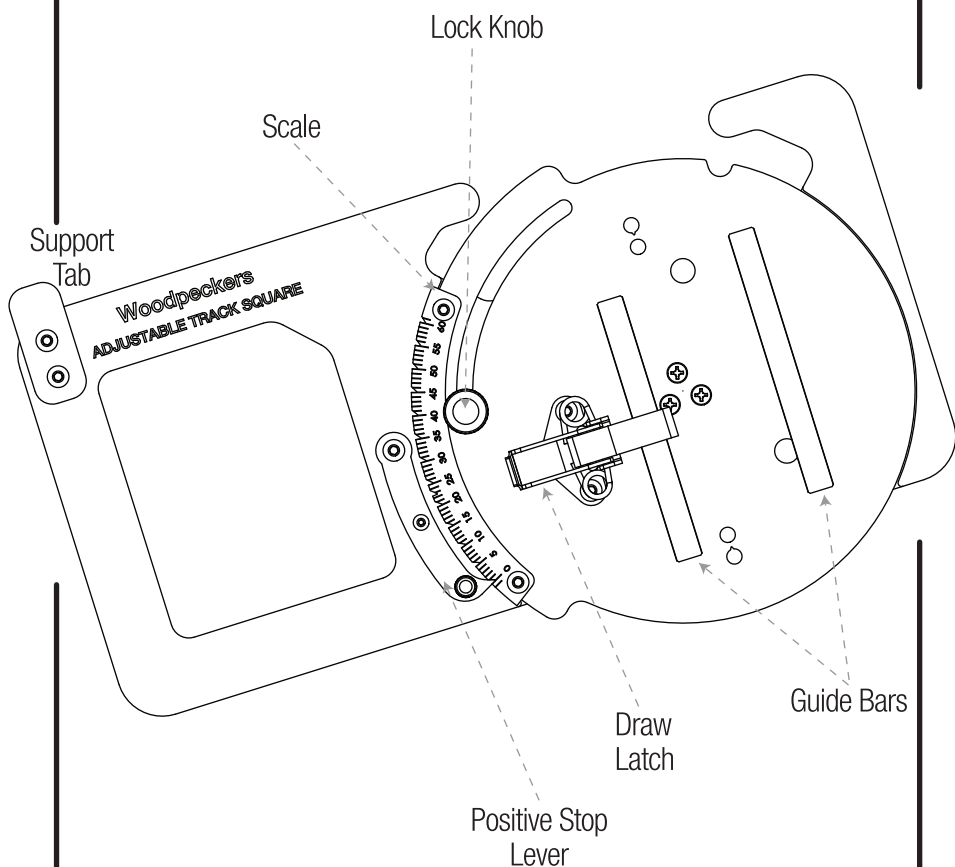


Woodpeckers[®]

ADJUSTABLE TRACK SQUARE

O W N E R ' S M A N U A L

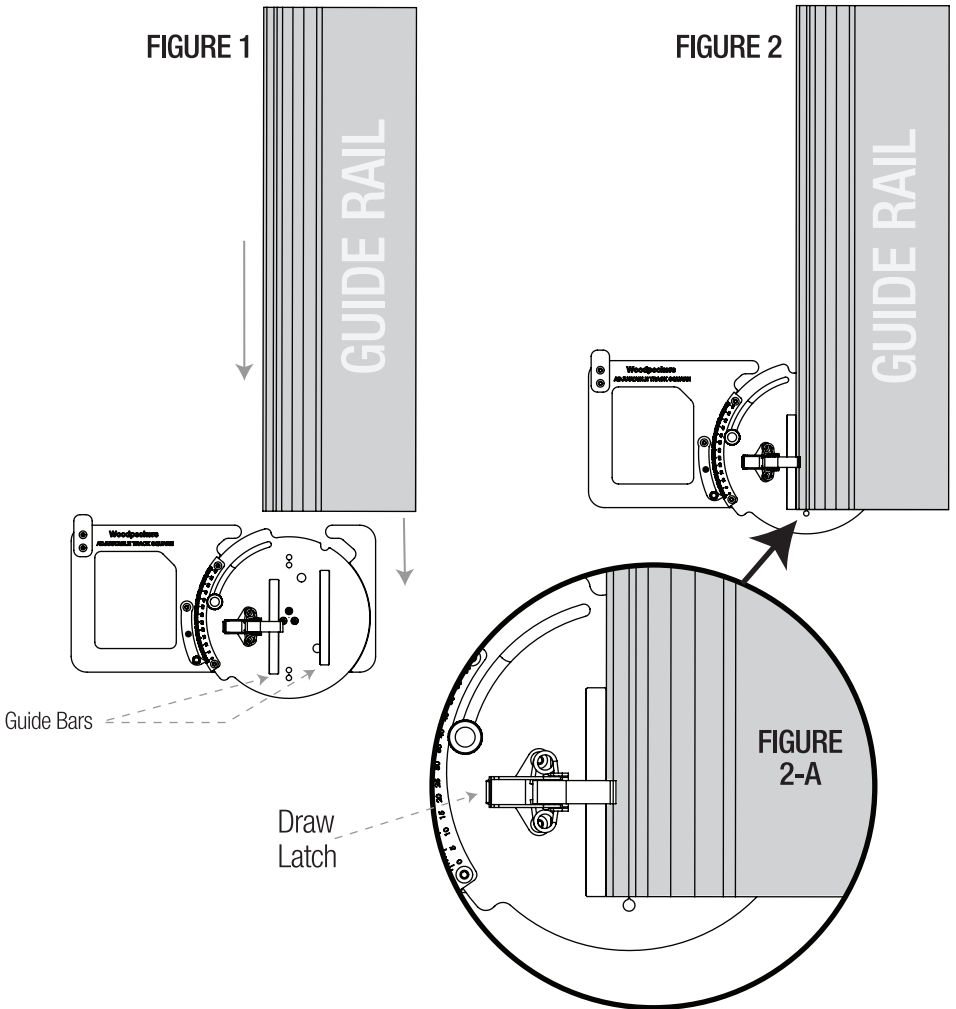


The **Woodpeckers' Adjustable Track Square** is compatible with the Festool, Makita, and Triton guide rails.

If you think you're missing anything, email us at mailroom@woodpeck.com.
You can also call us at 800-752-0725 from 9:00 a.m. to 5:00 p.m. EST Monday - Friday.

INSTALLING THE GUIDE RAIL

1. Slide your guide rail onto the right Guide Bar. **FIGURE 1.**
2. Ensure the guide rail makes 100% contact with the left Guide Bar. **FIGURE 2/2-A.**
3. Engage the Draw Latch and snap into place.



CHANGING ANGLES

1. Loosen the Lock Knob. Pull the Positive Stop Lever back, allowing movement of the Guide Rail. **FIGURES 3/3-A.**

2. Set the desired angle. Use the Positive Stop Lever to index any multiple of 5° or $22\text{-}1/2^\circ$. For settings between the detents, the Positive Stop Lever will point at the angle setting.

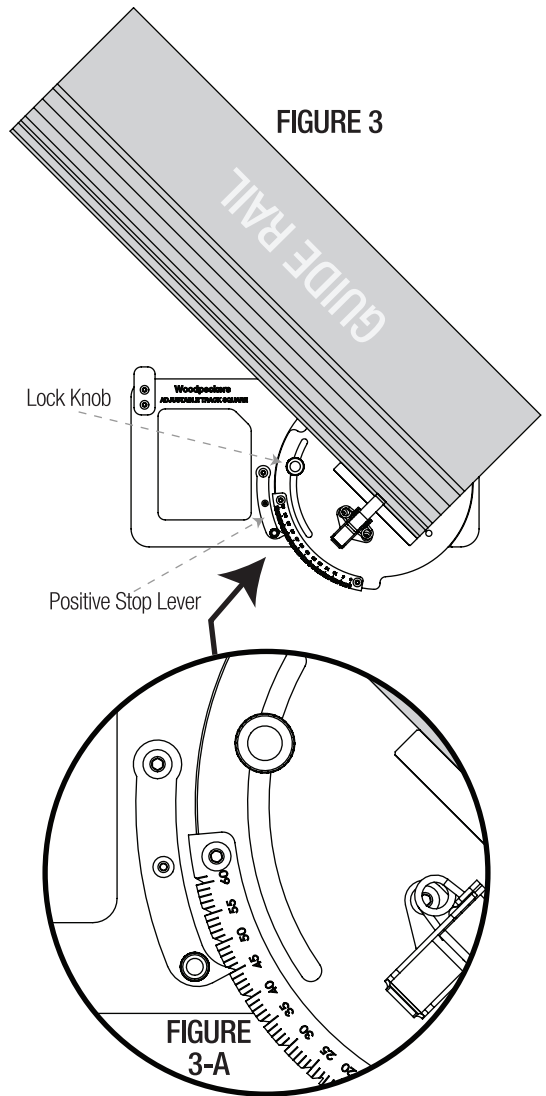
3. Secure the Lock Knob.

DUPLICATING AN ANGLE

1. Using the Adjustable Track Square and the guide rail, align the two edges of cut piece to be duplicated to the Adjustable Track Square and guide rail.

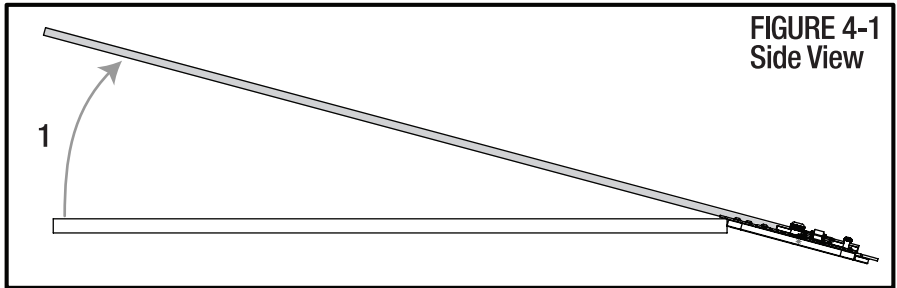
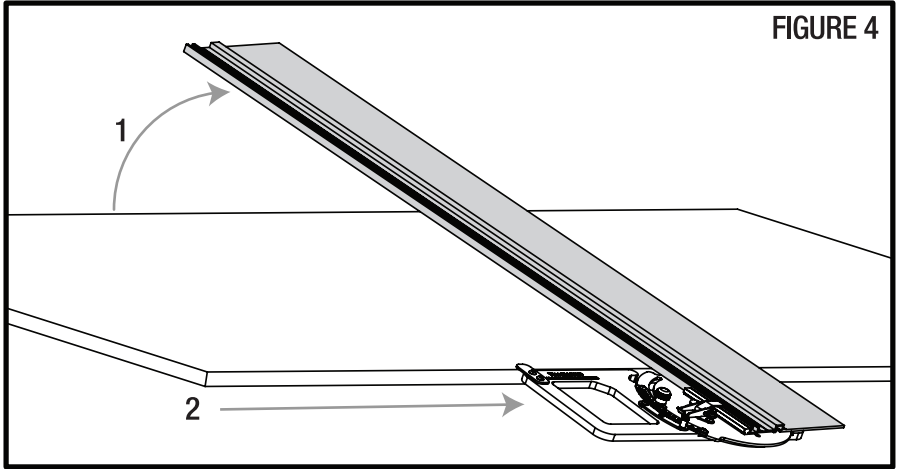
2. Tighten the Lock Knob and move your Adjustable Track Square and guide rail to the new piece of material using the same steps above.

3. Make your cut.



USING THE ADJUSTABLE TRACK SQUARE

1. Position the front edge of the Adjustable Track Square against the edge of your stock.
2. With the Guide Rail elevated above your stock, slide the Adjustable Track Square along the edge of your stock until the Guide Rail is aligned to your cut mark. **FIGURE 4/4-1.**
3. Lower the Guide Rail, confirm proper alignment of the front edge of the Adjustable Track Square with the edge of your stock and make your cut.



Woodpeckers®

PRECISION WOODWORKING TOOLS

Woodpeckers, LLC Strongsville, Ohio · woodpeck.com

© 2019 Woodpeckers, LLC

REV072519



WARNING! This product can expose you to chemicals, including chromium, which is known to the State of California to cause cancer and birth defects or other reproductive harm. For more information go to www.P65Warnings.ca.gov