

# Woodpeckers®

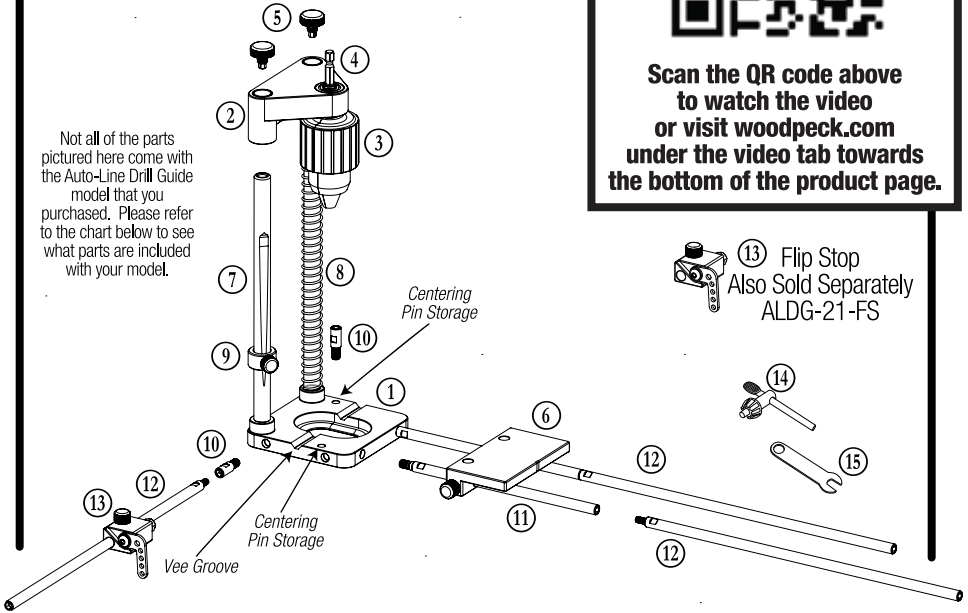
## AUTO-LINE DRILL GUIDE™

OWNER'S MANUAL



Scan the QR code above  
to watch the video  
or visit [woodpeck.com](http://woodpeck.com)  
under the video tab towards  
the bottom of the product page.

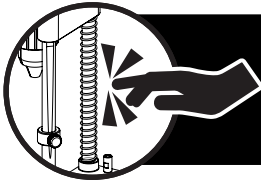
Not all of the parts  
pictured here come with  
the Auto-Line Drill Guide  
model that you  
purchased. Please refer  
to the chart below to see  
what parts are included  
with your model.



**13** Flip Stop  
Also Sold Separately  
ALDG-21-FS

DIAGRAM LETTER	ALDG-21-DEL DELUXE KIT (QTY)	ALDG-21 STANDARD KIT (QTY)	ALDG-21-FSK FLIP-STOP KIT (QTY)	ALDG-EXT-21 12-24" FENCE GUIDE EXTENSION (QTY)	PART NAME
1	(1)	(1)	--	--	Base
2	(1)	(1)	--	--	Chuck Carrier
3	(1)	(1)	--	--	Chuck
4	(1)	(1)	--	--	Standard Hex Shank Fitting
5	(2)	(2)	--	--	Lock Knob w/ 5mm Allen Wrench Tip
6	(1)	(1)	--	--	Fence w/ (2)Knobs
7	(1)	(1)	--	--	Tapered Rod
8	(1)	(1)	--	--	Spring w/Rod
9	(1)	(1)	--	--	Depth Control Stop Collar
10	(2)	(2)	--	--	Centering Pin
11	(2)	(2)	--	--	Guide Rod
12	(6)	--	(2)	(4)	Extension Rod
13	(2)	--	(2)	--	Flip-Stop
14	(1)	(1)	--	--	Chuck Key
15	(1)	--	(1)	(1)	Wrench

If you think you're missing anything, email us at [mailroom@woodpeck.com](mailto:mailroom@woodpeck.com).  
You can also call us at 800-752-0725 from 9:00 a.m. to 4:00 p.m. EST Monday - Friday.



**CAUTION!** Spring poses a pinch point and may cause injury. Keep fingers and hands clear of the spring.

## I. BASIC OPERATION

1. Insert your desired drill bit (up to 3/4") into the 1/2" Chuck (3) and tighten it down using the Chuck Key (14).
2. Draw witness marks on your board that intersect at the desired drilling location.
3. Line up the witness marks with the White Index Marks on the Base (1). *FIGURE 1.*
4. If a certain depth is required loosen the knob on the Depth Control Stop Collar (9), set it to the desired height and secure prior to drilling.
5. Affix your drill to the Standard Hex Shank Fitting (4) then push down and drill the hole.

## II. DRILLING HOLES LARGER THAN 3/4" UP TO 2"

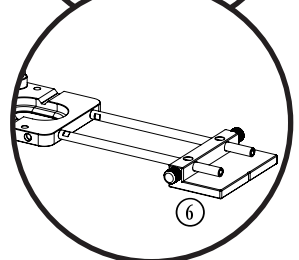
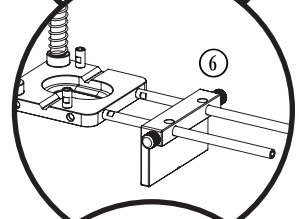
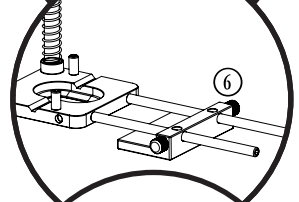
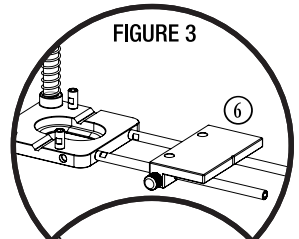
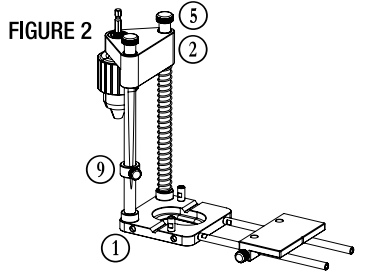
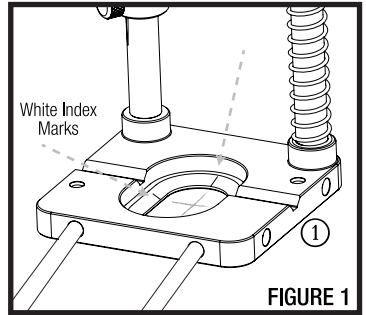
1. Remove the two Lock Knobs (5).
2. Turn the Chuck Carrier (2) 180° so that it is outside of the Base (1). *FIGURE 2.*
3. Re-install the Lock Knobs.

## III. TO INCREASE TRAVEL OF THE DRILL BIT

1. Remove the two Lock Knobs (5) and the Chuck Carrier (2) from the Auto-Line.
2. Remove the Spring (8) from the Rod then re-install the Chuck Carrier and Lock Knobs.

## V. FENCE/GUIDE ROD POSITIONS

1. The Guide Rods (11) and Fence (6) can be used on all four sides of the Base (1).
2. To loosen or to secure the Guide Rods in any position, remove the Lock Knobs (5) to expose the Allen Wrench Tips (that are machined into the bottoms of the Lock Knobs). This Allen Head Tip fits into the end of the Guide Rod.



3. Reposition the Guide Rod to the new location in the Base. Tighten with the Allen Head Tip of the Lock Knob.

- The Fence may be used in four different positions. **FIGURE 3.**
- The Guide Rods allow a hole to be drilled up to 7" away from the edge of your stock.

## VI. DRILLING ROUND STOCK

Place the round stock in the vee-groove that is milled into the Base ① of the Auto-Line. This will prevent the round stock from rolling while drilling. **FIGURE 4.**

## VII. DRILLING HOLES CENTERED ON A BOARD

1. Remove one of the Lock Knobs ⑤ from the Chuck Carrier ②.
2. Use the Allen Wrench Tip (that is machined into the bottom of the Lock Knob) to remove the Centering Pins ⑩ from the top side of the Base ①.
3. Install the Centering Pins on the bottom side of the Base and tighten them with the Allen Wrench Tip.
4. Re-install the Lock Knob on the Chuck Carrier.
5. Place the Auto-line Drill Guide on the work piece, and rotate it counter-clockwise until both Centering Pins come in contact with the work piece. **FIGURE 5 & 5-A.**
6. Drill your hole. Maximum width capacity is 3-1/8".

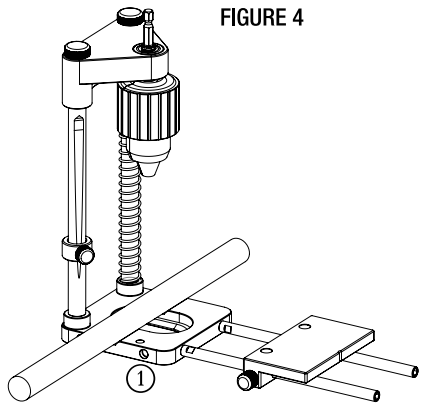


FIGURE 4

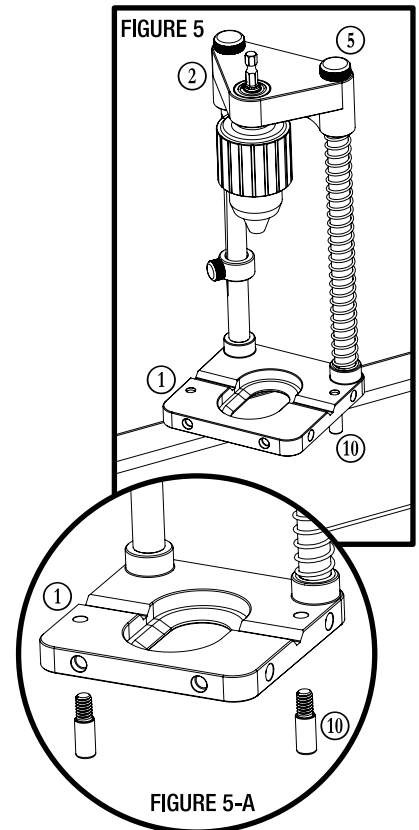


FIGURE 5

FIGURE 5-A



**PLEASE  
NOTE**

**The Auto-Line Drill Guide is not recommended for use with impact drivers.**

## VIII. EXTENSION RODS

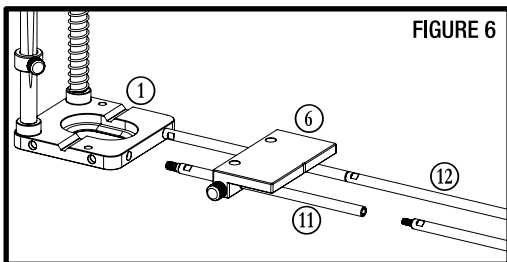
Depending on your purchase, this item may be sold separately.

The Extension Rods ⑫ add either 12" or 24" to the basic Fence ⑥ capacity of 7".

1. The Extensions Rods screw directly into the Guide Rods ⑪ of the Auto-Line.

**FIGURE 6.**

2. To tighten the Extension Rods, remove the Lock Knob ⑤ to expose the Allen Wrench Tips (that are machined into the bottoms of the Lock Knobs). This Allen Head Tip fits into the end of the Guide Rod.



## IX. FLIP STOPS

Depending on your purchase, this item may be sold separately.

1. Remove one of the Lock Knobs ⑤ from the Chuck Carrier ②.

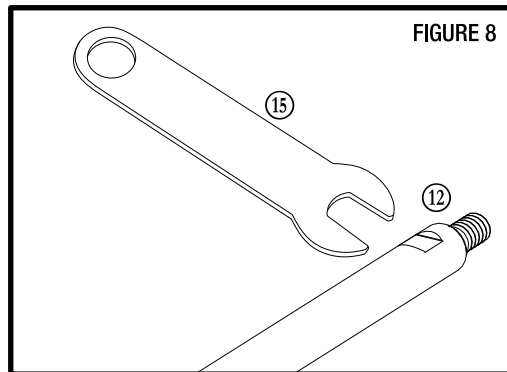
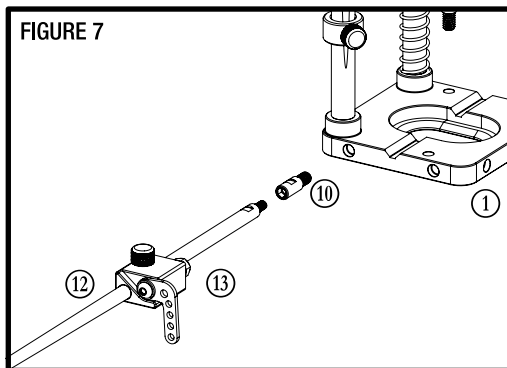
2. Use the Allen Wrench Tip (that is machined into the bottom of the Lock Knob) to remove Centering Pin ⑩ from the top side of the Base ①.

3. Install the Centering Pin on your preferred side of the Base and tighten it with the Allen Wrench Tip.

4. Thread an Extension Rod ⑫ into the Centering Pin. **FIGURE 7.**

5. Slide the Flip Stop ⑬ onto the Extension Rod.

6. Loosen and tighten the Flip Stop using the Brass Knob.



**NOTE:** Use the provided Wrench ⑮ to loosen the Extension Rods for disassembly. The Wrench fits on the cut out section of the Extension Rod. **FIGURE 8.**

# Woodpeckers®

Woodpeckers, LLC Strongsville, Ohio

**woodpeck.com**

© 2022 Woodpeckers, LLC



woodpeck.com

At Woodpeckers we are constantly reviewing & improving our tools. The most current version of our instruction manuals are always available to download/print at [woodpeck.com](http://woodpeck.com) via the tool's page.

(Located in the bottom section of the tool page under the "Additional Information" or "Instructions" tabs.)



Be the first to know all the new products & sales by subscribing to our eClub.

(Located at the top center of our webpage [woodpeck.com](http://woodpeck.com).)



Subscribe to our YouTube channel to stay up-to-date on all the latest tool tips & tricks.



Interact with us! Follow us on Facebook & Instagram!



### WARNING!

This product can expose you to chemicals, including chromium, which is known to the State of California to cause cancer and birth defects or other reproductive harm.

For more information go to [www.P65Warnings.ca.gov](http://www.P65Warnings.ca.gov)