

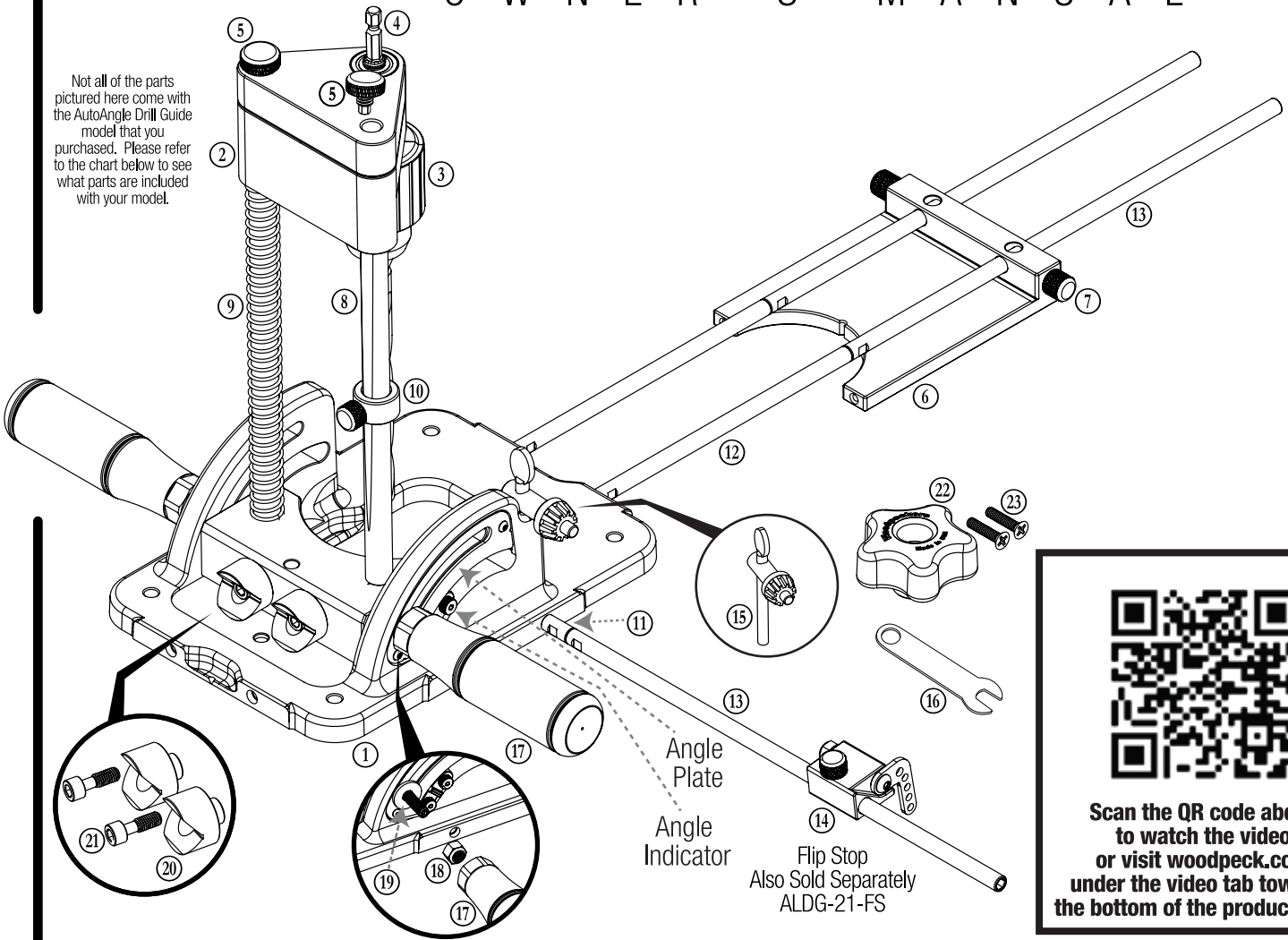
# Woodpeckers®

# AUTOANGLE™

# DRILL GUIDE

## OWNER'S MANUAL

Not all of the parts pictured here come with the AutoAngle Drill Guide model that you purchased. Please refer to the chart below to see what parts are included with your model.



Scan the QR code above to watch the video or visit [woodpeck.com](http://woodpeck.com) under the video tab towards the bottom of the product page.

Flip Stop  
Also Sold Separately  
ALDG-21-FS

DIAGRAM LETTER	AADG-DEL-22 DELUXE KIT (QTY)	AADG-22 STANDARD KIT (QTY)	ALDG-21-FSK FLIP-STOP KIT (QTY)	ALDG-EXT-21 12-24" FENCE GUIDE EXTENSION (QTY)	PART NAME	DIAGRAM LETTER	AADG-DEL-22 DELUXE KIT (QTY)	AADG-22 STANDARD KIT (QTY)	ALDG-21-FSK FLIP-STOP KIT (QTY)	ALDG-EXT-21 12-24" FENCE GUIDE EXTENSION (QTY)	PART NAME
①	(1)	(1)	--	--	Base w/ Angle Plates & Angle Indicators	⑬	(6)	--	(2)	(4)	Extension Rod
②	(1)	(1)	--	--	Chuck Carrier	⑭	(2)	--	(2)	--	Flip-Stop
③	(1)	(1)	--	--	Chuck	⑮	(1)	(1)	--	--	Chuck Key
④	(1)	(1)	--	--	Hex Shank Fitting, Standard	⑯	(1)	--	(1)	(1)	Wrench
⑤	(2)	(2)	--	--	Lock Knob w/ 5mm Allen Wrench Tip	⑰	(2)	(2)	--	--	Handle
⑥	(1)	(1)	--	--	Fence	⑱	(2)	(2)	--	--	Drag Nut
⑦	(2)	(2)	--	--	Fence Knobs	⑲	(2)	(2)	--	--	Drag Washer
⑧	(1)	(1)	--	--	Tapered Rod	⑳	(2)	(2)	--	--	Centering Button
⑨	(1)	(1)	--	--	Spring w/Rod	㉑	(2)	(2)	--	--	Centering Screw
⑩	(1)	(1)	--	--	Depth Control Stop Collar	㉒	(1)	(1)	--	--	Multi-Knob
⑪	(2)	(2)	--	--	Extension Rod Adapter	㉓	(2)	(2)	--	--	Accessory Bolts
⑫	(2)	(2)	--	--	Guide Rod						8-32 x 3/4"

If you think you're missing anything, email us at [mailroom@woodpeck.com](mailto:mailroom@woodpeck.com).  
You can also call us at 800-752-0725 from 9:00 a.m. to 4:00 p.m. EST Monday - Friday.

## I. ASSEMBLY

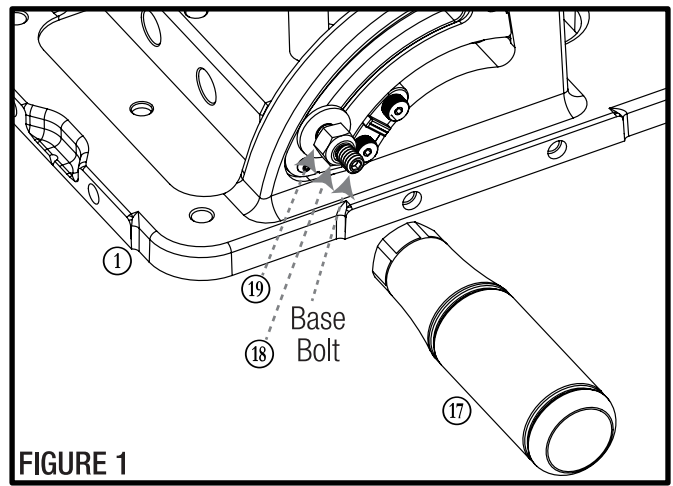
Attache the (2) Handles (17) by threading them onto the Base Bolt Assemblies. **FIGURE 1.**

## II. BASIC OPERATION

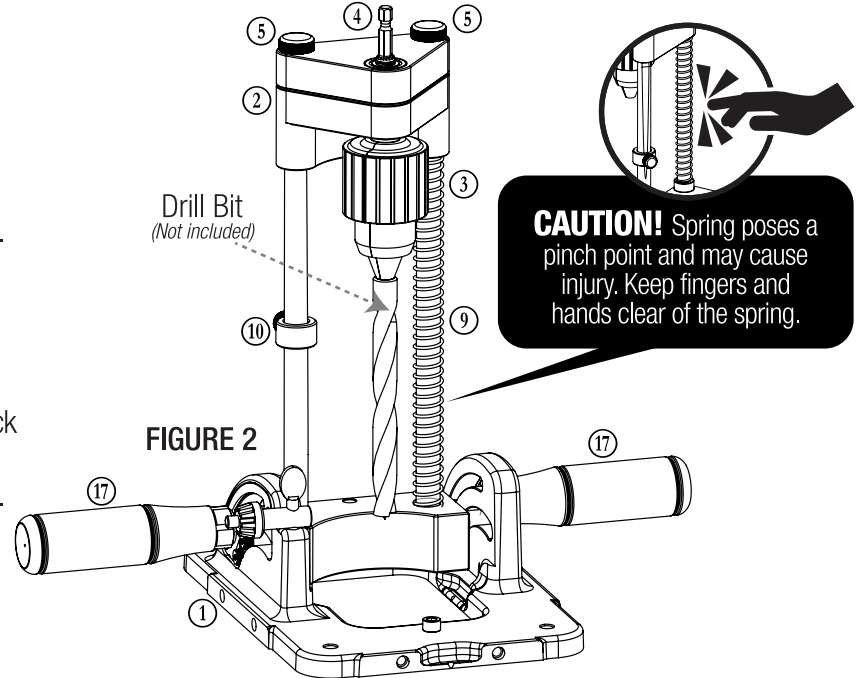
1. Insert your desired drill bit (up to 2-1/2") into the Chuck and tighten it down using the Chuck Key. **FIGURE 2.**
2. Draw witness marks on your board that intersect at the desired drilling location.
3. Line up the witness marks with the Index Marks on the Base (1). **NOTE:** Only 3 of the 4 Index Marks must align with your witness marks to accurately drill your desired location. **FIGURE 3.**
4. If a certain depth is required, loosen the knob on the Depth Control Stop Collar (10), set it to the desired height then secure prior to drilling.
5. Affix your drill to the Hex Shank Fitting (4) then push down and drill the hole.

## III. TO INCREASE THE TRAVEL OF THE DRILL BIT

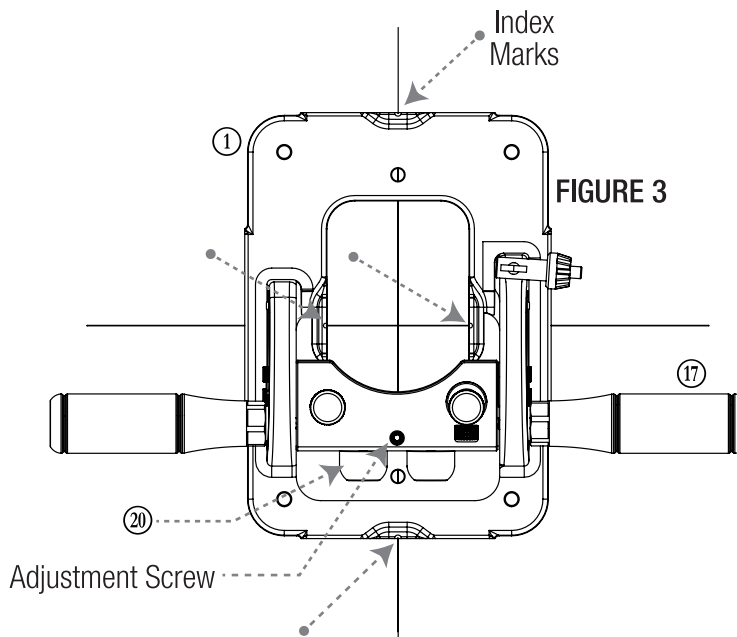
1. Remove the two Lock Knobs (5) and the Chuck Carrier (2) from the AutoAngle Drill Guide.
2. Remove the Spring from the Rod (9) then re-install the Chuck Carrier and Lock Knobs. **FIGURE 4.**



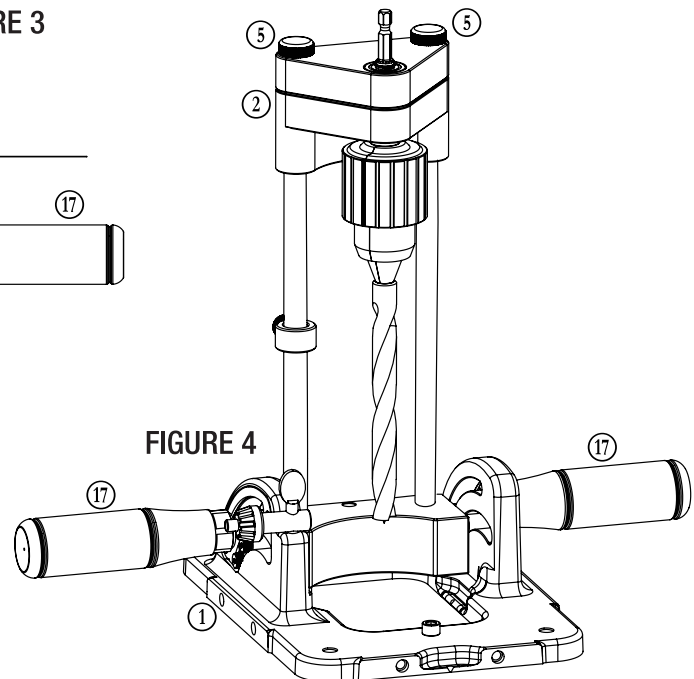
**FIGURE 1**



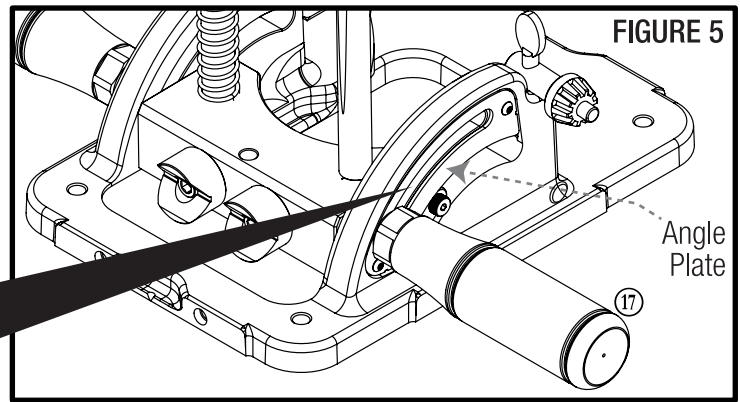
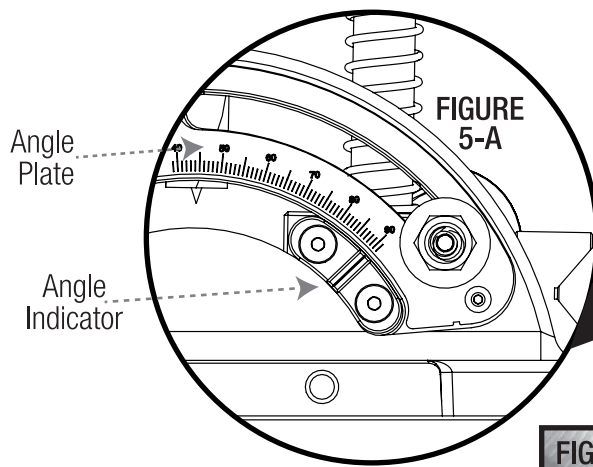
**FIGURE 2**



**FIGURE 3**



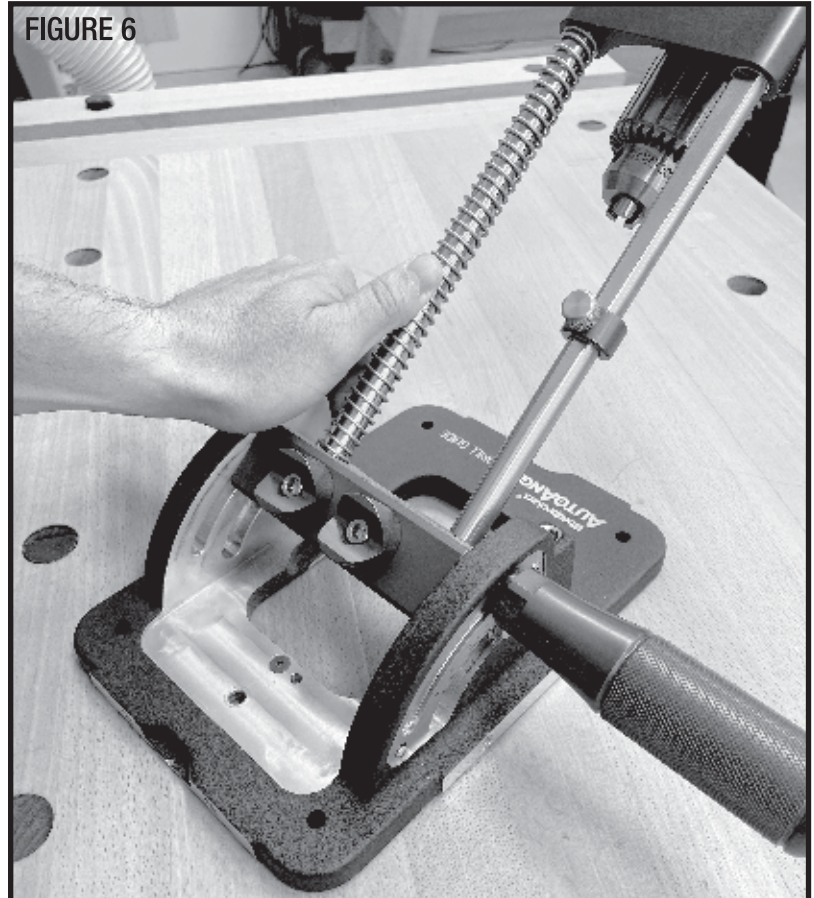
**FIGURE 4**



#### IV. DRILLING AT AN ANGLE

1. Loosen the Handles ⑰ by turning each one counter-clockwise.
2. Place your hands on the protractor base and press or pull the Vertical Guide Rods to tilt the AutoAngle Drill Guide until the Angle Indicator aligns with your desired angle. **FIGURES 5, 5-A & 6.**
3. Tighten both Handles to lock the angle in position.

**NOTE:** When drilling angled holes, it is preferred that the centering point engages the workpiece first. For best results, drill slowly and use a quality rim tracking Forstner bit. Clamping the AutoAngle Drill Guide in place will also result in a better quality hole.



**PLEASE  
NOTE**

**The AutoAngle Drill Guide is  
not recommended  
for use with impact drivers.**

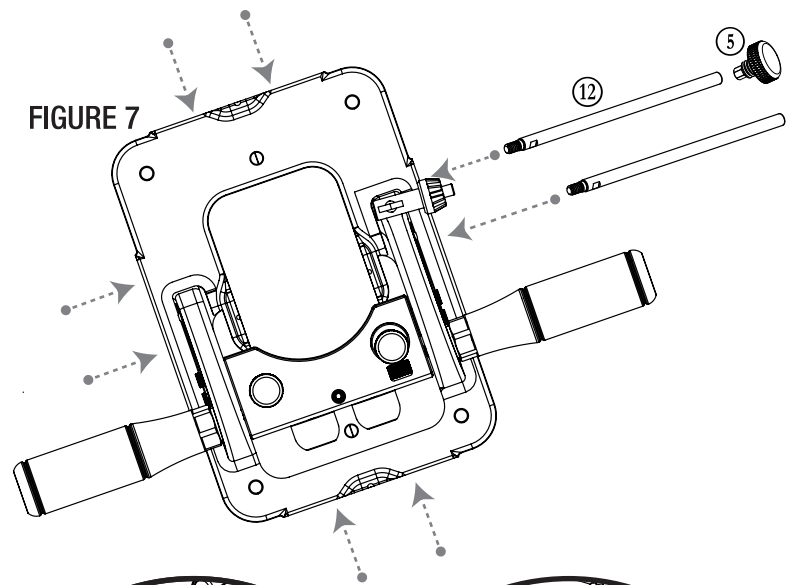
## V. FENCE/ GUIDE ROD POSITIONS

1. The Guide Rods (12) and Fence (6) can be used on all four sides of the Base (1). **FIGURE 7.**

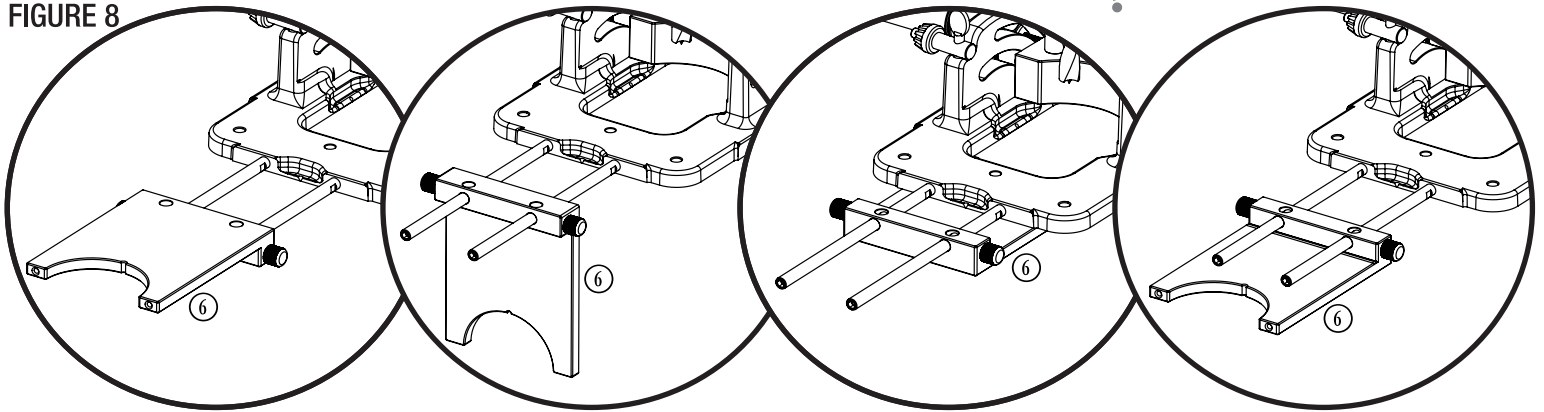
2. To loosen or secure the Guide Rods in any position, remove the Lock Knobs (5) (exposing the Allen Wrench Tip). The Allen Wrench Tip fits into the end of the Guide Rod to loosen or tighten the Guide Rod.

3. Reposition the Guide Rod to the new location in the Base. Tighten with the Lock Knob.

- The Fence may be used in four different positions. **FIGURE 8.**
- The Guide Rods allow a hole to be drilled up to 7" away from the edge of your stock.



**FIGURE 8**



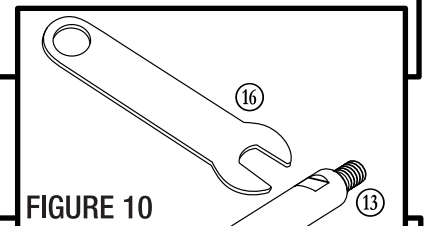
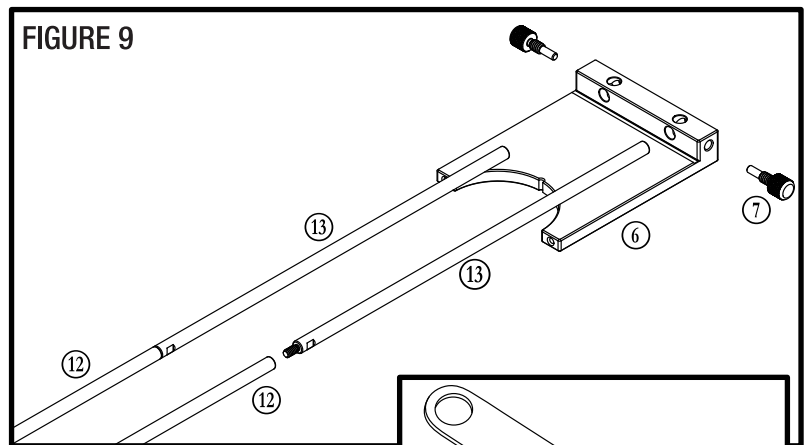
## VI. EXTENSION RODS

The Extension Rods (13) add either 12" or 24" to the basic Fence capacity of 7".

1. The Extension Rods screw directly into the 7" Guide Rods (12) of the AutoAngle Drill Guide. **FIGURE 9.**

2. To Tighten the Extension Rods, use either the Allen Wrench Tip machined into the Lock Knob (5), or the included Wrench (16). (The Wrench fits on the cut-out section of the Extension Rod.) **FIGURE 10.**

**NOTE:** When attaching the 12" Extension Rods directly to the base of the AutoAngle Drill Guide, you must thread the Extension Rod Adapter (11) onto the tip of the 12" Extension Rod. Then the threaded end of the Extension Rod Adapter will thread directly into the Base. **FIGURE 11.**



## VII. FLIP STOPS

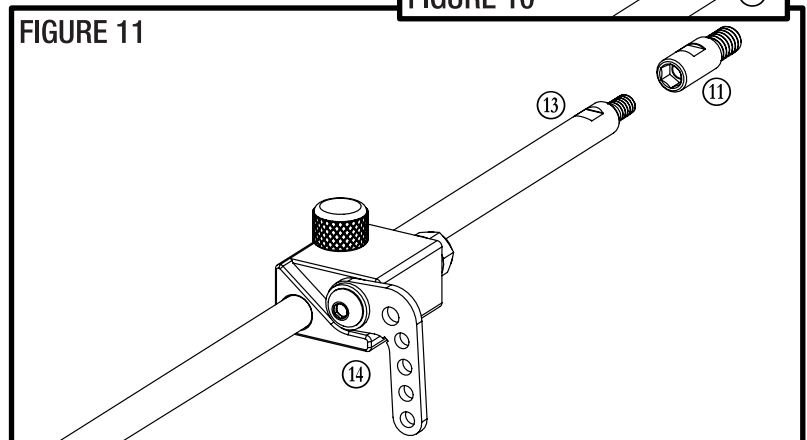
1. Use the Lock Knob or Wrench to install the Extension Rod Adapter (11) on your preferred side of the Base.

2. Thread the Extension Rod (13) into the Extension Rod Adapter.

3. Slide the Flip Stop (14) onto the Extension Rod. **FIGURE 11.**

4. Loosen and tighten the Flip Stop location using the knob on the Flip Stop.

**NOTE:** Use the Wrench to loosen the Extension Rods for disassembly.



## VIII. DRILLING ROUND STOCK

1. Utilize the Centering Buttons (20) that are stored on the back of the Base. **FIGURE 12.**
2. Begin by removing the Centering Buttons and Centering Screws (21) from their stored position by unthreading them with the Allen Wrench Tips machined into the Lock Knob (5). Once removed, make sure to completely remove the Centering Screw from the Centering Button.
3. Insert the two Centering Buttons into the countersunk holes in the bottom of the base. Loosely secure them with the Centering Screws using the Lock Knob.
4. Place the tool on a dowel rod to align the centering buttons, then tighten the centering screws with the Lock Knob. **FIGURE 13.**
5. Re-install the Lock Knob on the Chuck-Carrier.
6. Clamp your round stock down to the work surface.
7. Align the Centering Buttons with the round stock. Hold the Handle securely (or use supporting boards under the sides of the AutoAngle Drill Guide) for level support while drilling round stock.

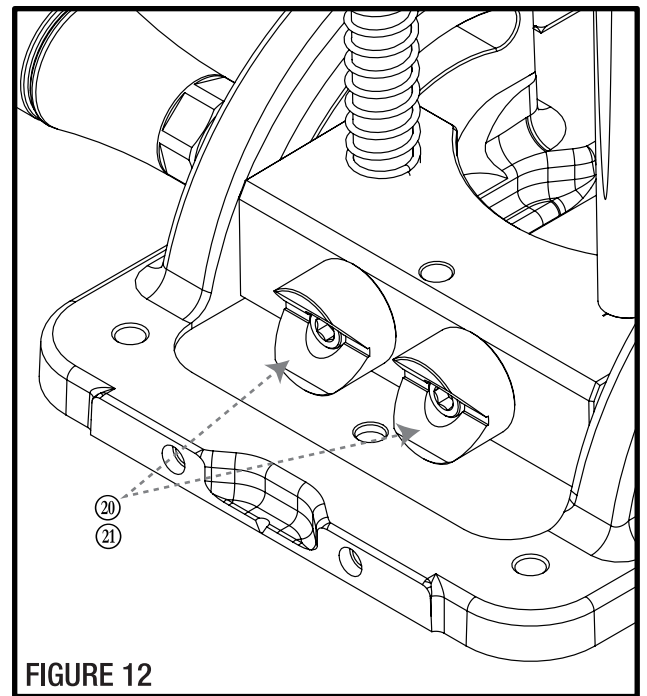


FIGURE 12

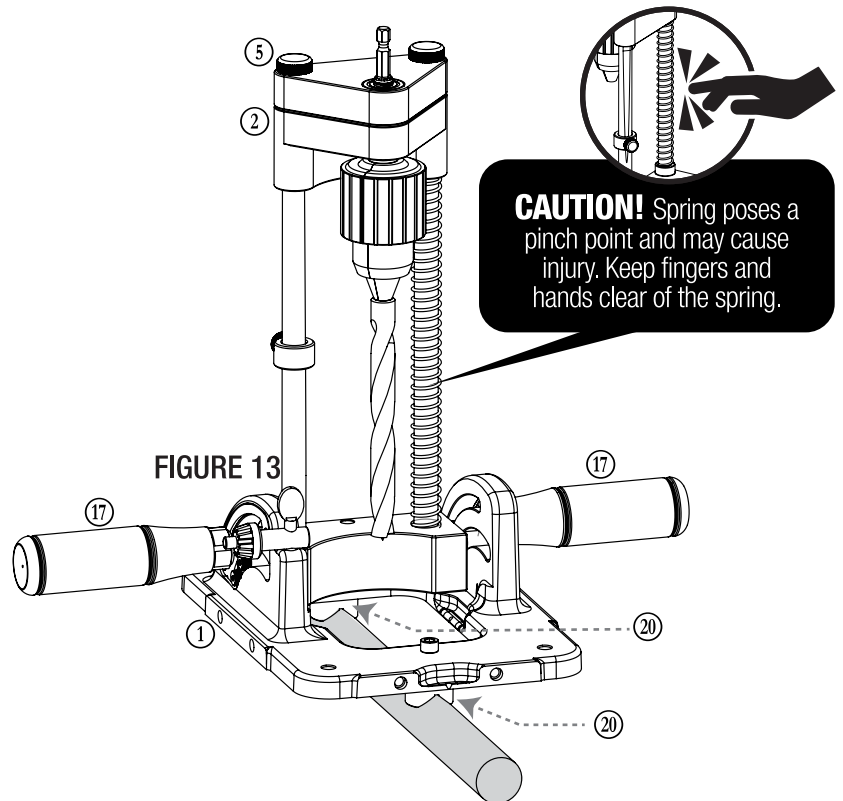


FIGURE 13

**CAUTION!** Spring poses a pinch point and may cause injury. Keep fingers and hands clear of the spring.

### PLEASE NOTE

The AutoAngle Drill Guide is not recommended for use with impact drivers.



**WARNING!** To reduce the risk of injury keep hands away from moving parts. Refer to your drill manual for proper setup and use.



**WARNING!** To reduce the risk of injury, wear safety goggles or glasses with side shields, ear protection & a dust mask.

## IX. DRILLING HOLES CENTERED ON A BOARD

1. Following the same procedure as outlined in Section VIII. *Drilling Round Stock, Steps 1-3*, install the Centering Buttons into the countersunk holes in the bottom of the Base.
2. Place the AutoAngle Drill Guide on the workpiece and rotate the workpiece counterclockwise until both Centering Buttons come in contact with the work piece. **FIGURES 14 & 15.**
3. Drill your hole.

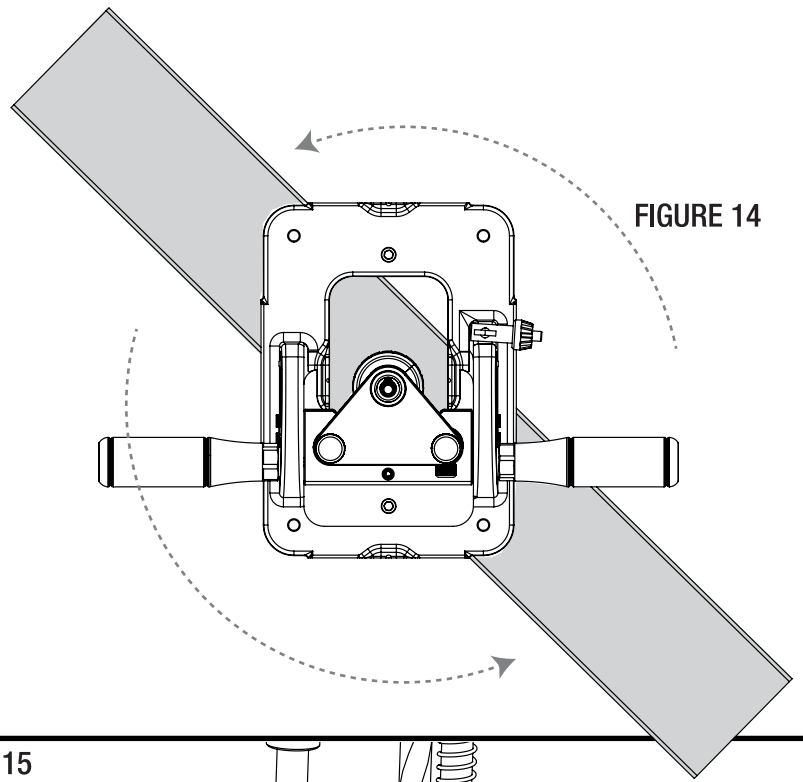


FIGURE 14

## X. MULTI-KNOB HANDLES

The Multi-Knob (22) can replace either of the Handles for working in close quarters.

1. To install, begin by removing a Handle from your preferred side. **FIGURE 16.**
2. Remove the Drag Nut (18) using a 7/16" wrench (*not included*).
3. The Drag Washer (19) remains on the Base Bolt.
4. Thread the Multi-Knob onto the Base Bolt. **FIGURE 17.**

**NOTE:** Only remove one Drag Nut and Handle when using the Multi-Knob Configuration. Set the Drag Nut and Handle aside when not in use.

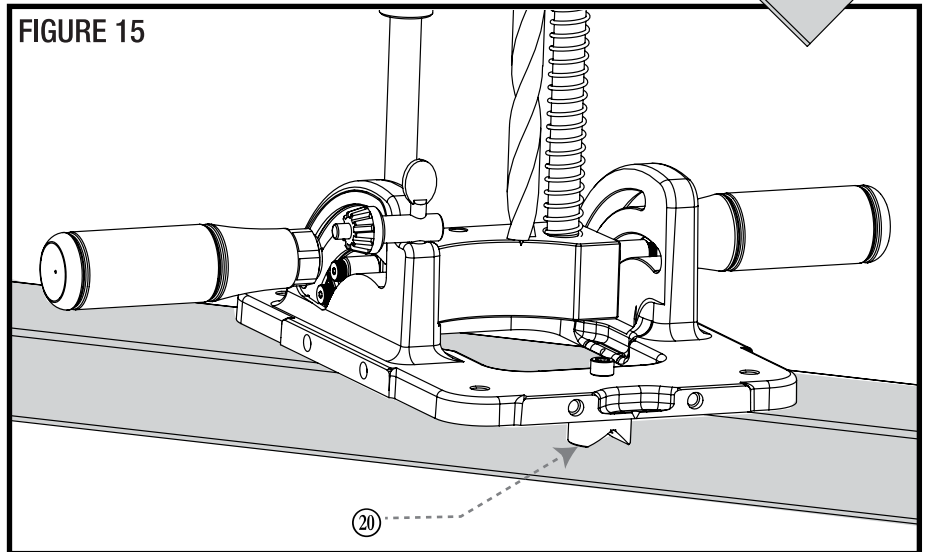


FIGURE 15

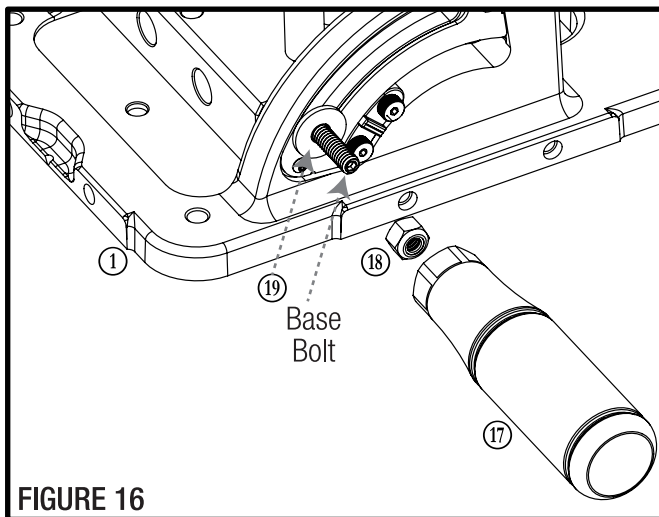


FIGURE 16

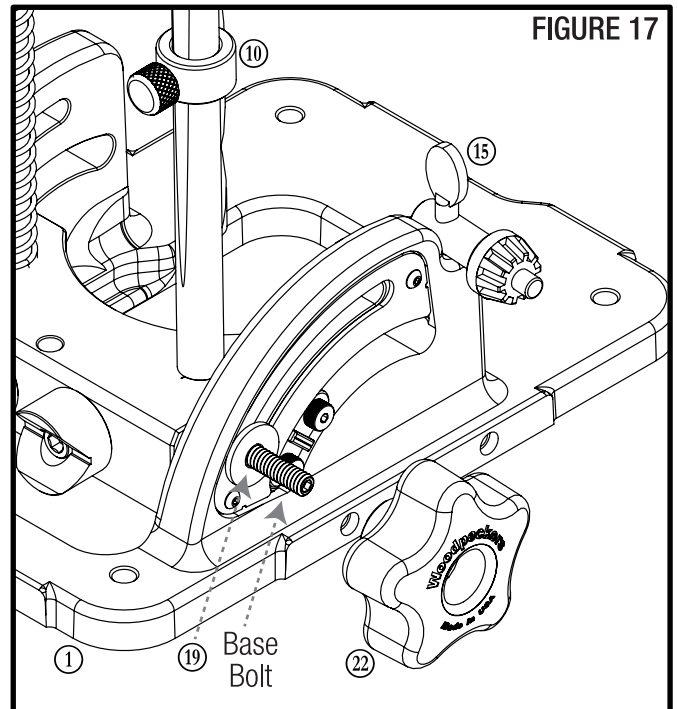
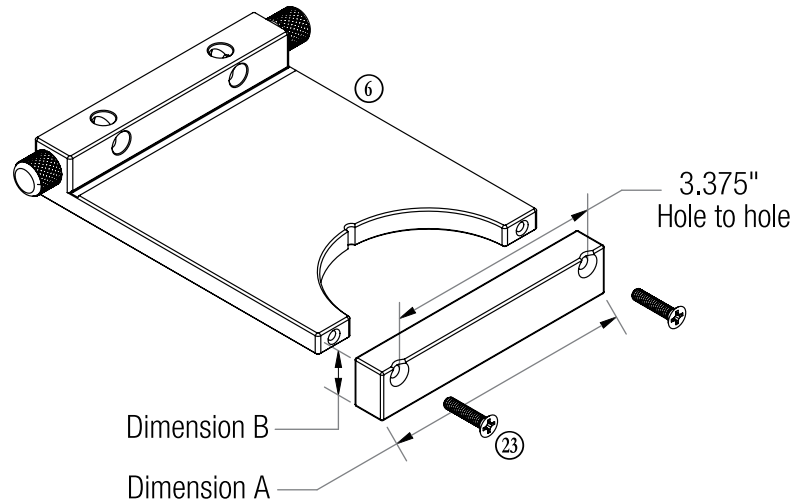
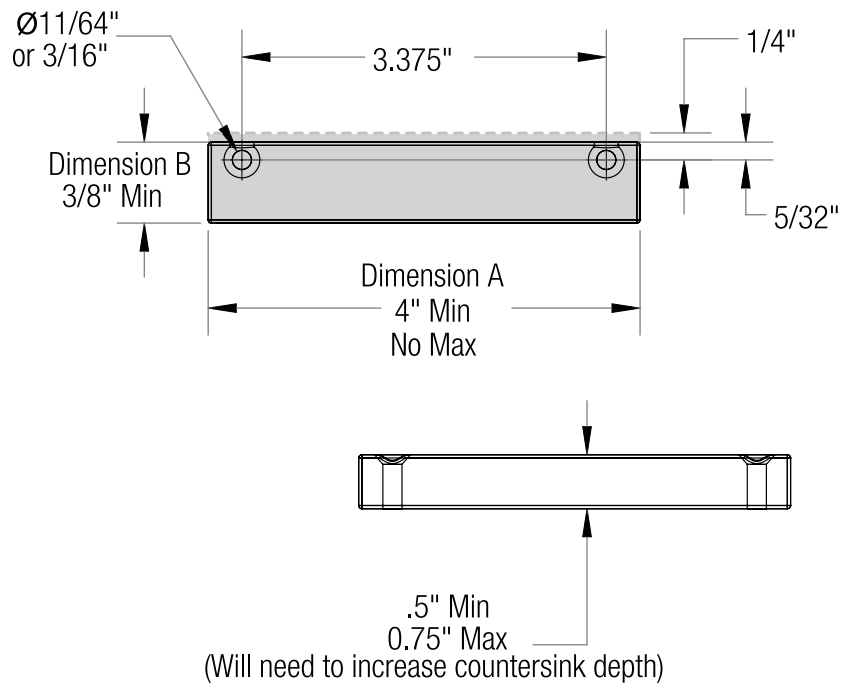


FIGURE 17

## XI. WOODEN FENCE (Optional Build)

1. The Wooden Fence is an optional item that you can build and attach to the included fence. You may find this helpful in certain circumstances where you may need additional fence leverage or length across an area where there may be no project stock to rest the AutoAngle Fence Against. (Example: corner area or thin-walled area). (2) Accessory Bolts (23) are included for you to use.
2. When building your fence, your holes should be placed 3-3/8" center-to-center, and 1/4" in from the top edge.
3. Overall length and width dimensions ("A" and "B") of your fence can be customized to your liking.



## IX. SPECIFICATIONS

- Maximum board width is  $5-1/4''$ .
- Maximum Stop Distance with the optional Flip Stop Kit is  $27''$  using short Guide Rods.
- The Protractor has an Angle Motion Range of  $50^\circ$ .
- Maximum capacity is  $2-1/2''$  diameter.



**WARNING!** To reduce the risk of injury keep hands away from moving parts. Refer to your drill manual for proper setup and use.



**WARNING!** To reduce the risk of injury, wear safety goggles or glasses with side shields, ear protection & a dust mask.

**Woodpeckers®**

Woodpeckers, LLC Strongsville, Ohio  
**woodpeck.com**  
 © 2022 Woodpeckers, LLC



**At Woodpeckers we are constantly reviewing & improving our tools. The most current version of our instruction manuals are always available to download at woodpeck.com.**

*(Located in the bottom section of the tool's page under the "Additional Information" or "Instructions" tabs.)*



**Be the first to know all the new products, OneTIME Tools & sales by subscribing to our eClub.** *(Located at the top center of our webpage woodpeck.com.)*



**Subscribe to our YouTube channel to stay up-to-date on all the latest tool tips & tricks.**



**INTERACT WITH US! Follow us on Facebook, Instagram & TikTok!**



**Enjoy shop tips, project ideas, tool techniques & more in our Woodworking Resource Center/Blog.** *(Located at the bottom center of our webpage woodpeck.com.)*



**WARNING!**

This product can expose you to chemicals, including chromium, which is known to the State of California to cause cancer and birth defects or other reproductive harm.

For more information go to [www.P65Warnings.ca.gov](http://www.P65Warnings.ca.gov)