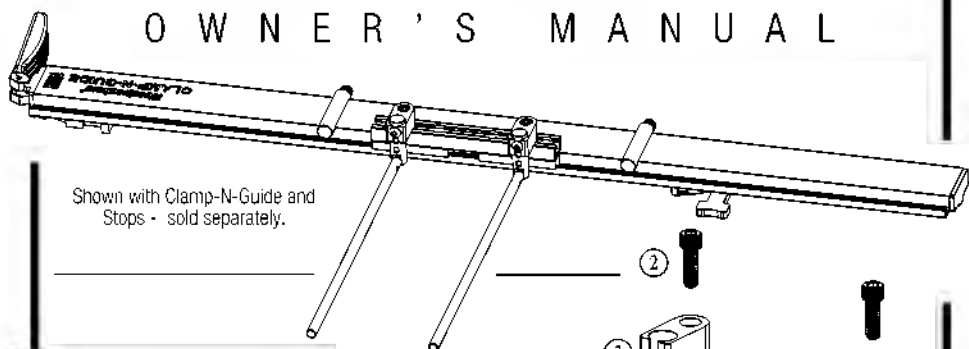


Woodpeckers®

CLAMP-N-GUIDE ROUTER ADAPTER

OWNER'S MANUAL



Shown with Clamp-N-Guide and
Stops - sold separately.



Scan the QR code above
to watch the video
or visit woodpeck.com
under the video tab towards
the bottom of the product page.

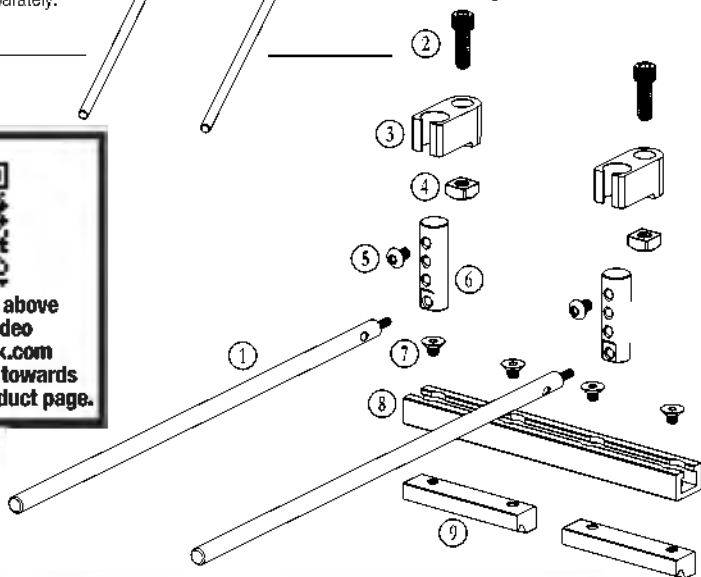


DIAGRAM NUMBER

(QTY) PART NAME

- ① (2) Rods Each size sold separately.
4 Sizes available 3/8",
5/16", 10mm, 1/4"
- ② (2) Socket Head Screw
- ③ (2) Horizontal Track Fitting
- ④ (2) Square Nut

DIAGRAM NUMBER

(QTY) PART NAME

- ⑤ (2) Button Head Screw
- ⑥ (2) Vertical Track Fitting
- ⑦* (4) Flat Head Screw
- ⑧* (1) Glide Track
- ⑨* (2) Nylon Glide

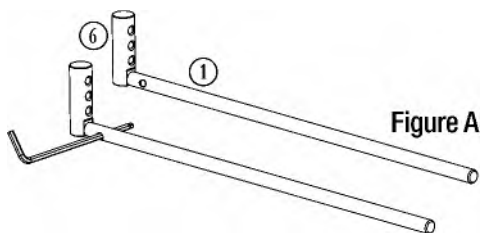
NOTE: ⑦ ⑧ ⑨ Are the components of **SKU# CNG-RG: Router Adapter w/ No Rods** to be used with your existing MFRB Rods and attaching hardware.

If you think you're missing anything, email us at mailroom@woodpeck.com.
You can also call us at 800-752-0725 from 9:00 a.m. to 4:00 p.m. EST Monday - Friday.

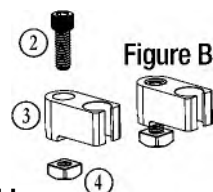
I. ASSEMBLY

1. Screw the (2) Rods ① to the (2) Vertical Track Fitting ⑥.

NOTE: there are holes in the ends of the Rods, by inserting an Allen key or a screwdriver (*not included*) into the holes, you can tighten the Rods to the Vertical Track Fittings. **Figure A.**



2. Assemble the (2) Socket Head Screws ② and (2) Square Nuts ④ to the (2) Horizontal Track Fittings ③ as shown in **Figure B.**

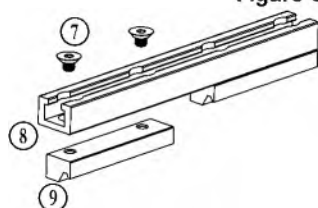


3. Assemble the (2) Nylon Glides ⑨ to the Glide Track ⑧ using the (4) Flat Head Screws ⑦. **Figure C.**

Do not tighten any of the screws until Section II.

Figure C

4. Slide the Square Nuts of the Horizontal Track Fitting assemblies into the Glide Track ⑧. **Figures D & D-1.**



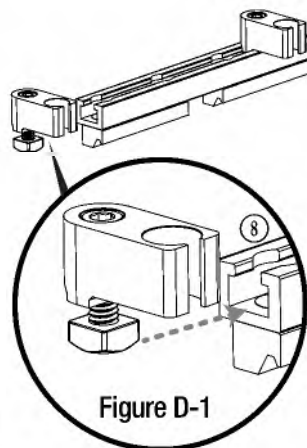
5. Slide the (2) Rod assemblies into the Horizontal Track Fitting assemblies and install the (2) Button Head Screws ⑤. **Figure E.**

NOTE: Do not tighten any of the screws until Step 7. There are 3 different locations for the Button Head Screws on the Vertical Track Fitting depending on the size of your router base.

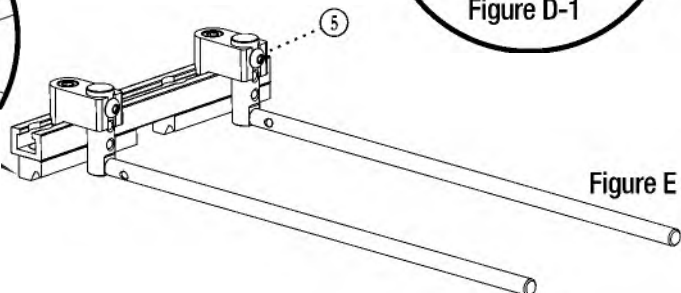
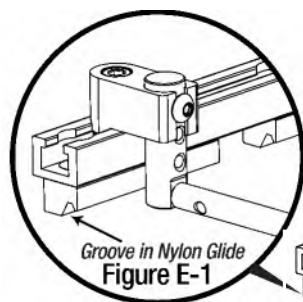
NOTE: The grooves on the Nylon Glides need to face the direction of the Rods and your router base as shown in **Figure E-1.**

Figure D

6. Keeping all the screws loose, Attach the Router Adapter assembly to your router base by sliding the Rods into the holes of your router base. The Rods will have to be adjusted left, right, up and down depending on your router.



7. Follow Section II to adjust and tighten all the screws.



II. MOUNTING THE ROUTER ADAPTER TO YOUR ROUTER

1. With both the socket head screws holding the horizontal fitting and the button head screws holding the vertical fitting loose, slide the rods into the base of your router and slide the router close to the Router Adapter. Ensure the vertical and horizontal fittings do not bind. Tighten the knobs that secure the Rods into the base of your router.

Clamp your Clamp-N-Guide on a flat surface. Place your router on the same surface and install the attached Router Adapter into the groove of the Clamp-N-Guide as shown in Fig. G and G-1.

While pushing down on the Glide Track tighten the (2) Socket Head Screws.

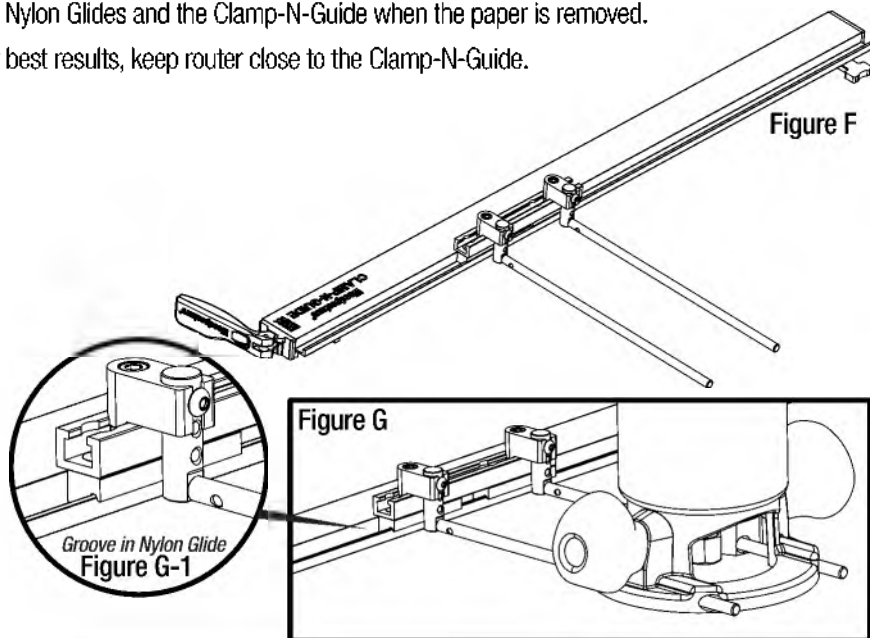
2. Still keeping pressure on the Glide Track, tighten the (2) Button Head Screws.

Test the location of the of the horizontal and vertical track fittings by unlocking the base of your router and sliding the base back and forth on the rods. They should not bind and the Nylon Glides and Glide Track should remain seated in the Clamp-N-Guide. If they bind or lift the Glide Track, loosen the socket head screws and button head screws and readjust.

NOTE: Depending on the size and brand of your router, you may need to use a different threaded hole in the vertical track fitting.

NOTE: You may find it helpful to put a few pieces of paper under your router base while adjusting the Router Adapter. This will lift the router up slightly, providing a tighter fit between the Nylon Glides and the Clamp-N-Guide when the paper is removed.

For best results, keep router close to the Clamp-N-Guide.



WARNING! To reduce the risk of injury keep hands away from moving parts. Refer to your power tool manual for proper setup and use.



WARNING! To reduce the risk of injury, wear safety goggles or glasses with side shields, ear protection & a dust mask.

MANUFACTURER / MODEL		ROD SIZE			
		1/4" (6mm)	5/16" (8mm)	3/8" (9.5 mm)	25/64" (10 mm)
Festool	OF-2200				X
	OF-1400		X		
	OF-1010		X		
Dewalt	DW610		X		
	DW614		X		
	DW615		X		
	DW616				X
	DW618				X
	6182 Plunge Base				X
	DW621		X		
	DW624				X
	DW625				X
Bosch	1611			X	
	1613			X	
	1615			X	
	1617			X	
	1617 EVSPK (Plunge Base)			X	
	1618			X	
	1619			X	
	MRC23EVSK			X	
	MRP23EVS			X	
	MRP23EVS			X	
	RA1166 Plunge Base			X	
	Mr01 Plunge Base			X	
	POF 1200 AE			X	
Porter Cable	890 Series Fixed Base	X			
	890 Series Plunge Base	X			
	890 Series Fixed Base	X			
	7518				X
Craftsman	315.275		X		
Freud	FT2000E				X
Hitachi	M12V (3.25hp)				X
Milwaukee	5625-20				X
Makita	RP230FC				X
	Plunge Base for Cordless		X		

NOTE: The manufacturer brand names listed are the registered trademarks of the respective companies and are not associated with Woodpeckers, LLC.

ROUTER COMPATIBILITY

This list is not intended to be comprehensive! These are routers that we have specifically tested for compatibility and have listed their appropriate rod size for your convenience. If your router is not on this list, you can determine in a few minutes if the Clamp-N-Guide Router Adapter is compatible.

1. Does your router have holes in the base to accept a pair of guide rods?
2. Do the holes go completely through the base?
3. Will the holes fit one of these sizes: 1/4" (6mm), 5/16" (8mm), 3/8" (9.5mm) or 25/64" (10mm)?

If the answer to all three questions is YES, the Clamp-N-Guide Router Adapter will fit your router.

MEASURING HOLE SIZE:

The surest way to get the correct-sized guide rods is to measure the guide rods that came with your router. If your router has guide rod holes, but did not come with guide rods, you can measure the holes with drill bits. Find the drill bit that will freely pass through the guide rod holes without binding. Order the guide rod size that is equal to or slightly smaller than the drill bit.

Woodpeckers®

Woodpeckers, LLC Strongsville, Ohio

woodpeck.com

© 2023 Woodpeckers, LLC



woodpeck.com

At Woodpeckers we are constantly reviewing & improving our tools. The most current version of our instruction manuals are always available to download at woodpeck.com.

(Located in the bottom section of the tool's page under the "Additional Information" or "Instructions" tabs.)

eCLUB

Be the first to know all the new products, OneTIME Tools & sales by subscribing to our eClub. *(Located at the top center of our webpage woodpeck.com.)*

YouTube

Subscribe to our YouTube channel to stay up-to-date on all the latest tool tips & tricks.

f i d

INTERACT WITH US! Follow us on Facebook, Instagram & TikTok!

KNOWTHOLE

Enjoy shop tips, project ideas, tool techniques & more in our Woodworking Resource Center/Blog. *(Located at the bottom center of our webpage woodpeck.com.)*



WARNING! This product can expose you to chemicals, including chromium, which is known to the State of California to cause cancer and birth defects or other reproductive harm. For more information go to www.P65Warnings.ca.gov