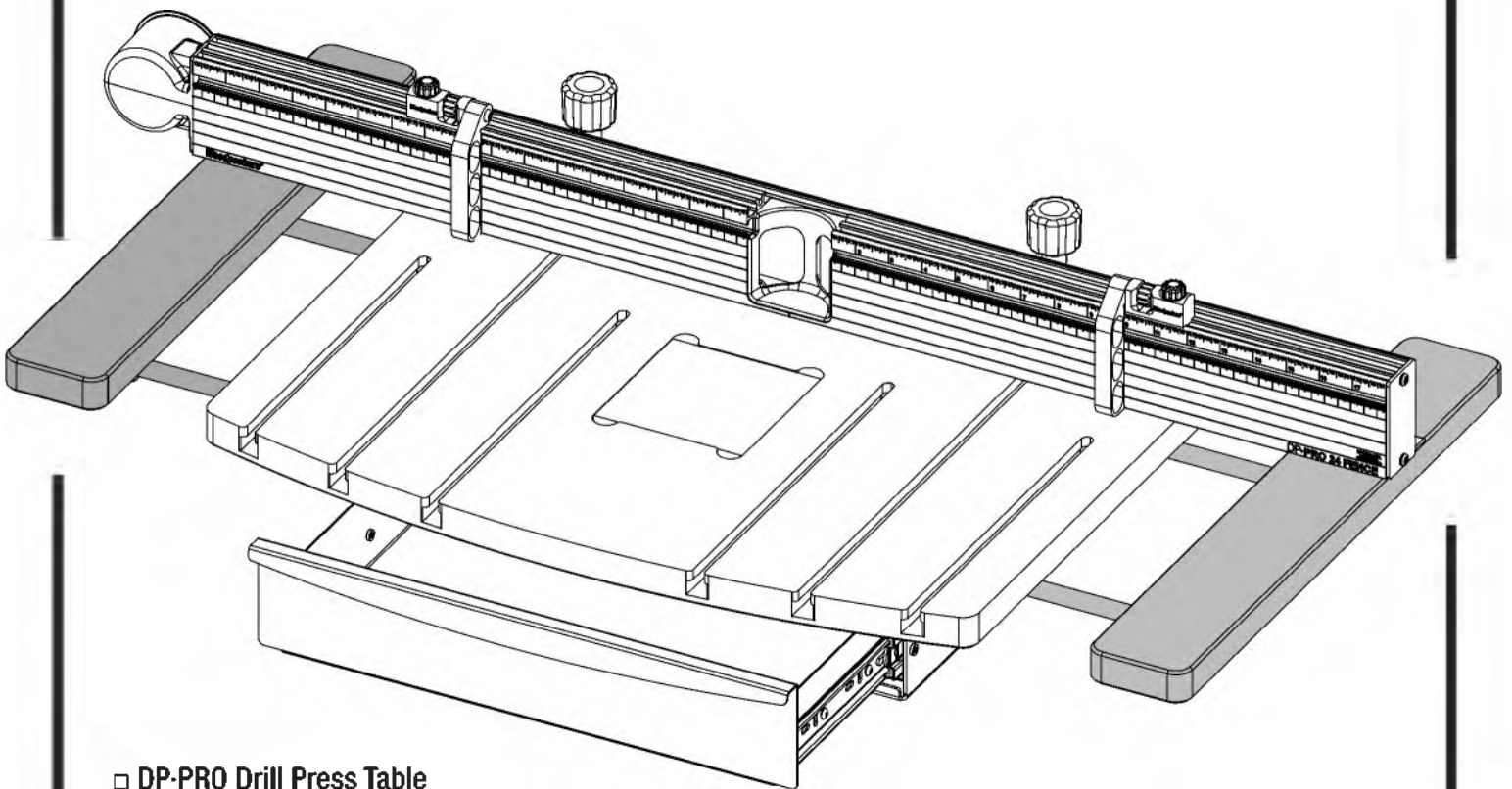


# Woodpeckers®

## DP-PRO TCS

### DRILL PRESS TABLE EXTENSION WINGS

#### OWNER'S MANUAL



- DP-PRO Drill Press Table
  - DP-PRO Drawer
- Sold separately at [woodpeck.com](http://woodpeck.com)



Scan the QR code above  
to watch the video  
or visit [woodpeck.com](http://woodpeck.com)  
under the video tab towards  
the bottom of the product page.

If you think you're missing anything, email us at [mailroom@woodpeck.com](mailto:mailroom@woodpeck.com).  
You can also call us at 800-752-0725 from 9:00 a.m. to 4:00 p.m. EST Monday - Friday.

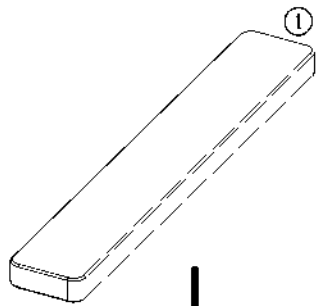
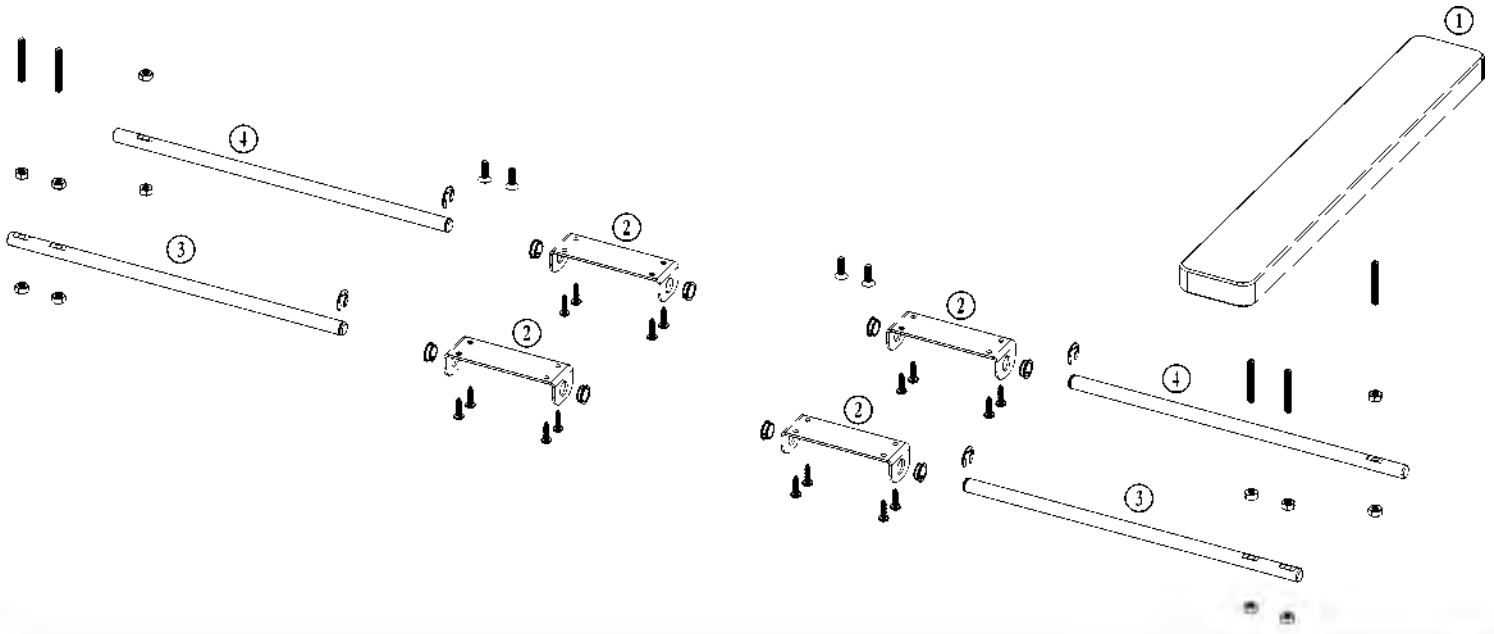


DIAGRAM NUMBER	(QTY)	PART NAME
①	(2)	Table Extension Wing
②	(4)	Shaft Bracket
③	(2)	Stainless Steel Shaft (2 Hole)
④	(2)	Stainless Steel Shaft (1 Hole)

DIAGRAM NUMBER	(QTY)	PART NAME
----------------	-------	-----------

**HARDWARE BAG**

A-1	(6)	Threaded Stud
A-2	(12)	1/4-20 Hex Nut
A-3	(16)	#10 Pan Head Phillips Wood Screw
A-4	(8)	Shaft Grommet
A-5	(4)	Retaining Snap Ring
A-6	(1)	1/8" Allen Key



**NOTE:** As noted in the DP-PRO TCS Owner's Manual, it is suggested that you install the Extension Wings prior to attaching the Table to the Drawer Base. Install the Extension Wings to the Table, then attach the Table to the Drawer Base and finish by attaching the Drawer Base to the Drill Press Table.

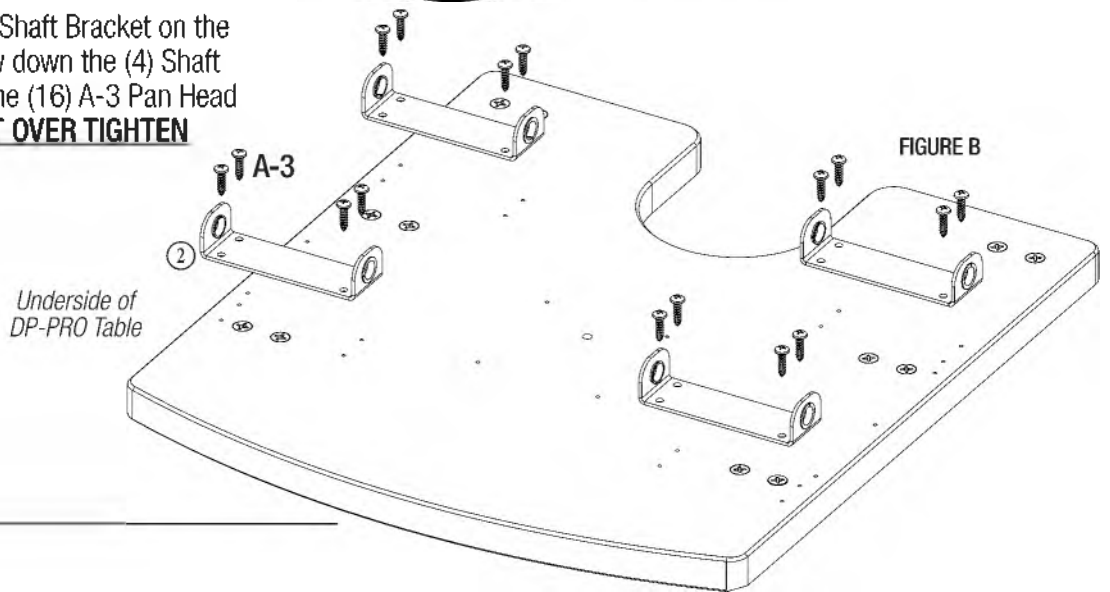
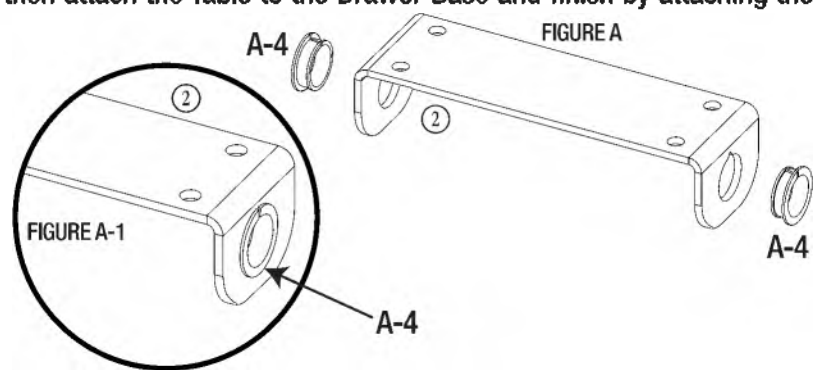
**I. ASSEMBLING BRACKETS FOR SIDE EXTENSIONS**

AT THIS POINT YOU WILL NEED:

- ② (4) Shaft Bracket
- A-4 (8) Shaft Grommet
- A-3 (16) #10 Pan Head Phillips Wood Screw

1. Squeeze to collapse the A-4 Shaft Grommets then insert them into each end of the Shaft Bracket ② side holes. Do this for all four Shaft Brackets. **FIGURES A / A-1.**

2. Locate the mounting holes for the Shaft Bracket on the underside of the DP-PRO Table. Screw down the (4) Shaft Brackets to the DP-PRO Table using the (16) A-3 Pan Head Phillips Wood Screws. **Figure B. DO NOT OVER TIGHTEN SCREWS.**



## II. ASSEMBLING THE STAINLESS STEEL SHAFTS TO BRACKETS

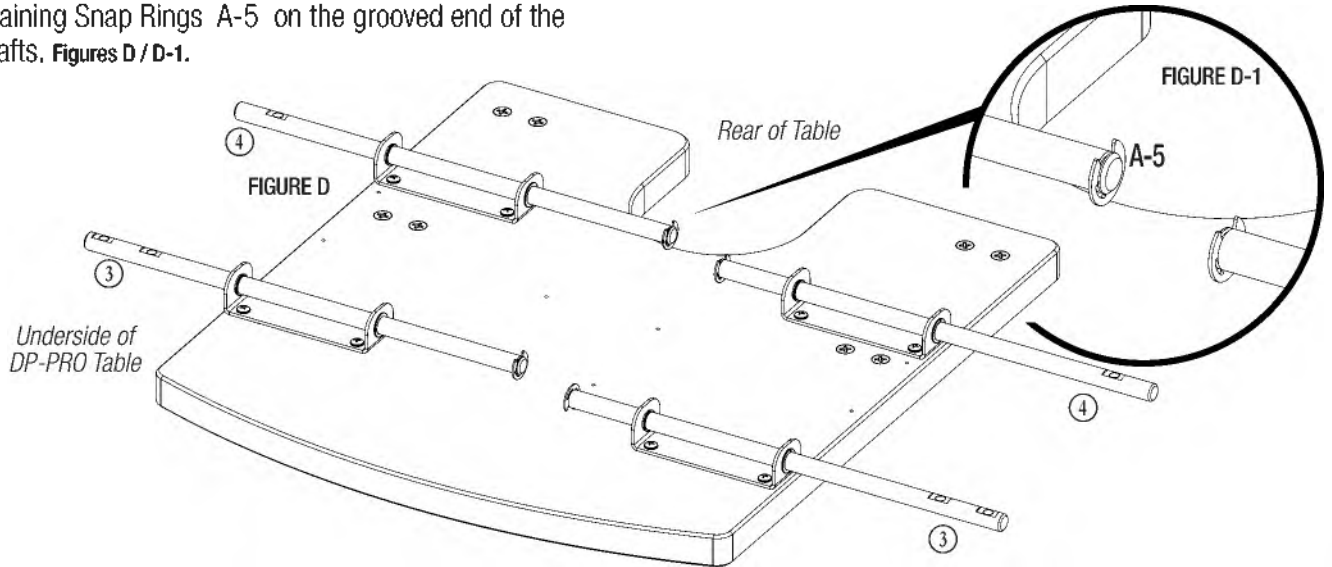
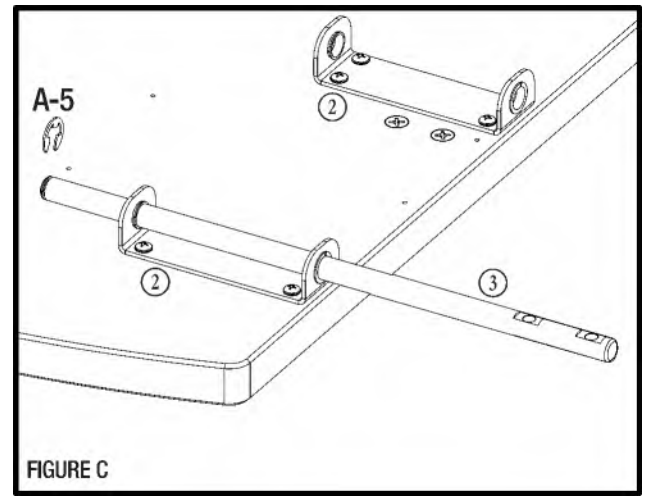
### AT THIS POINT YOU WILL NEED:

- ③ (2) Stainless Steel Shaft (2 Hole)
- ④ (2) Stainless Steel Shaft (1 Hole)
- A-5 (4) Retaining Snap Ring

1. Slide the (2) Stainless Steel Shafts (2 holes) ③ through the front Shaft Bracket ② holes. The holes on the Stainless Steel Shafts should be facing outward from the DP-PRO Table, the grooves on the end of the Stainless Steel Shafts should be toward the middle of the DP-PRO Table. **FIGURE C.**

2. Slide the (2) Stainless Steel Shafts (1 hole) ④ through the rear Shaft Bracket holes. The holes on the Stainless Steel Shafts should be facing outward from the DP-PRO Table, the grooves on the end of the Stainless Steel Shafts should be toward the middle of the DP-PRO Table. **Figure D.**

3. Snap the (4) Retaining Snap Rings A-5 on the grooved end of the Stainless Steel Shafts. **Figures D / D-1.**



## III. ASSEMBLING THREADED STUDS TO SIDE EXTENSIONS

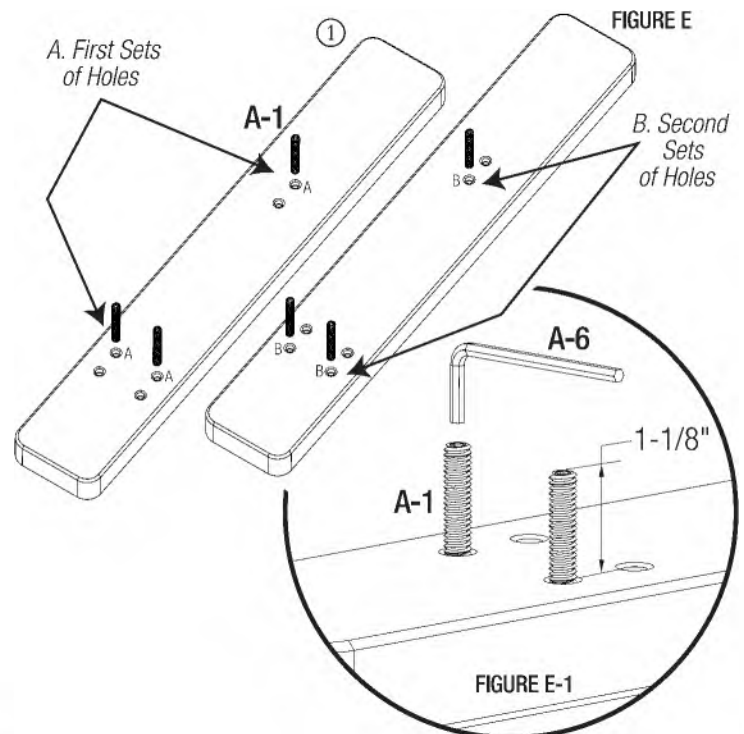
### AT THIS POINT YOU WILL NEED:

- ① (2) Table Extension
- A-1 (6) Threaded Stud
- A-6 (1) 1/8" Allen Key

1. Screw the (6) Threaded Studs A-1 to the Table Extensions ①. **NOTE:** One side uses the first sets of holes (A) and the other uses the second sets of holes (B). **FIGURE E.**

2. Thread the Threaded Studs into the holes on the Table Extensions with the Allen Wrench A-6.

**NOTE:** Do not install the Threaded Studs too deep. Thread them to about 1-1/8". **FIGURE E-1.**



#### IV. ASSEMBLING SIDE EXTENSIONS TO SHAFTS

##### AT THIS POINT YOU WILL NEED:

A-2 (12) 1/4-20 Hex Nut

1. Putting the DP-PRO Table and Table Extensions together on a flat surface will aid in the installation. Install a Hex Nut A-2 onto Threaded Stud A-1. Thread them down to the bottom of the Threaded Stud just touching the black surface of the Table Extension. **DO NOT TIGHTEN THEM.** FIGURE F.

2. Raise the DP-PRO Table up and slide the Table Extension with Threaded Studs into to correct Stainless Steel Shaft holes. The Table Extension will fit flush with the back end of the Table. **NOTE:** When the Table Extension is laying next to the Table you will see which Threaded Studs line up with the holes in the Stainless Steel Shaft. FIGURE F.

3. Install another Hex Nut onto the Threaded Studs until it stops against the Stainless Steel Shaft, finger-tight, FIGURE G.

4. Turn the bottom Hex Nut counter-clockwise until it stops against the Stainless Steel Shaft, finger-tight. FIGURE G-1.

**NOTE:** After the Drawer Base is installed and the Table is turned right-side up, the Table Extensions can be checked to see if they are coplanar with the Table. Adjustments can be made by loosening and tightening these hex nuts.

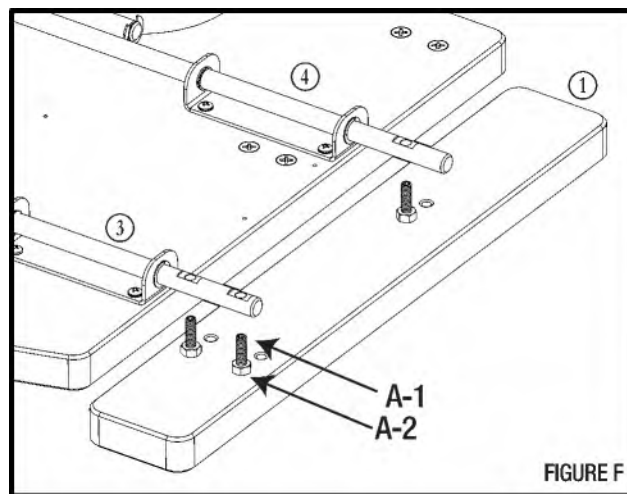


FIGURE F

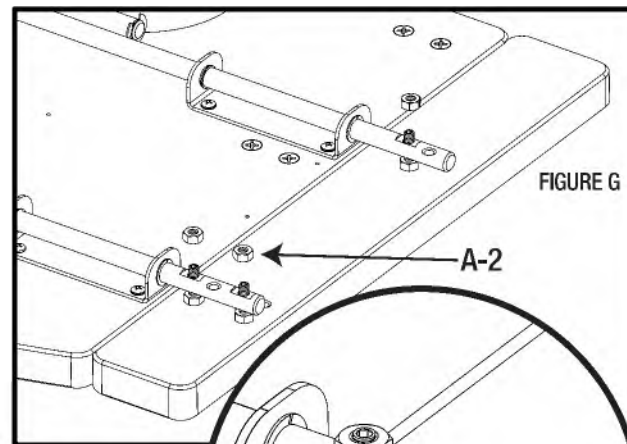


FIGURE G

Top Hex Nut  
Finger-tight to the  
Stainless Steel Shaft

Bottom Hex Nut  
Finger-tight to the  
Stainless Steel Shaft

FIGURE G-1

# Woodpeckers®

Woodpeckers, LLC Strongsville, Ohio  
**woodpeck.com**  
© 2023 Woodpeckers, LLC



woodpeck.com

At Woodpeckers we are constantly reviewing & improving our tools. The most current version of our instruction manuals are always available to download at **woodpeck.com**.

(Located in the bottom section of the tool's page under the "Additional Information" or "Instructions" tabs.)

**eCLUB**

Be the first to know all the new products, **OneTIME Tools & sales** by subscribing to our eClub. (Located at the top center of our webpage **woodpeck.com**.)



Subscribe to our YouTube channel to stay up-to-date on all the latest tool tips & tricks.



INTERACT WITH US! Follow us on Facebook, Instagram & TikTok!



Enjoy shop tips, project ideas, tool techniques & more in our Woodworking Resource Center/Blog. (Located at the bottom center of our webpage **woodpeck.com**.)



#### WARNING!

This product can expose you to chemicals, including chromium, which is known to the State of California to cause cancer and birth defects or other reproductive harm. For more information go to [www.P65Warnings.ca.gov](http://www.P65Warnings.ca.gov)



**WARNING!** To reduce the risk of injury keep hands away from moving parts. Refer to your drill press manual for proper setup and use.



**WARNING!** To reduce the risk of injury, wear safety goggles or glasses with side shields, ear protection & a dust mask.