

Woodpeckers®

24" / 36" / 48"

DP·PRO FENCE

O W N E R ' S M A N U A L

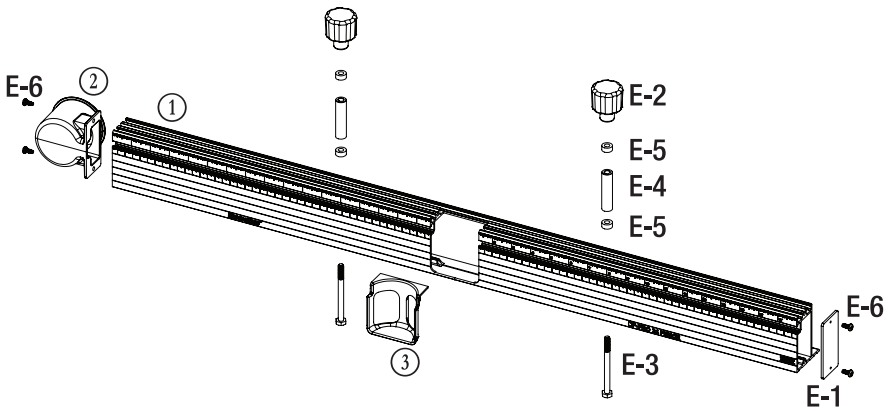
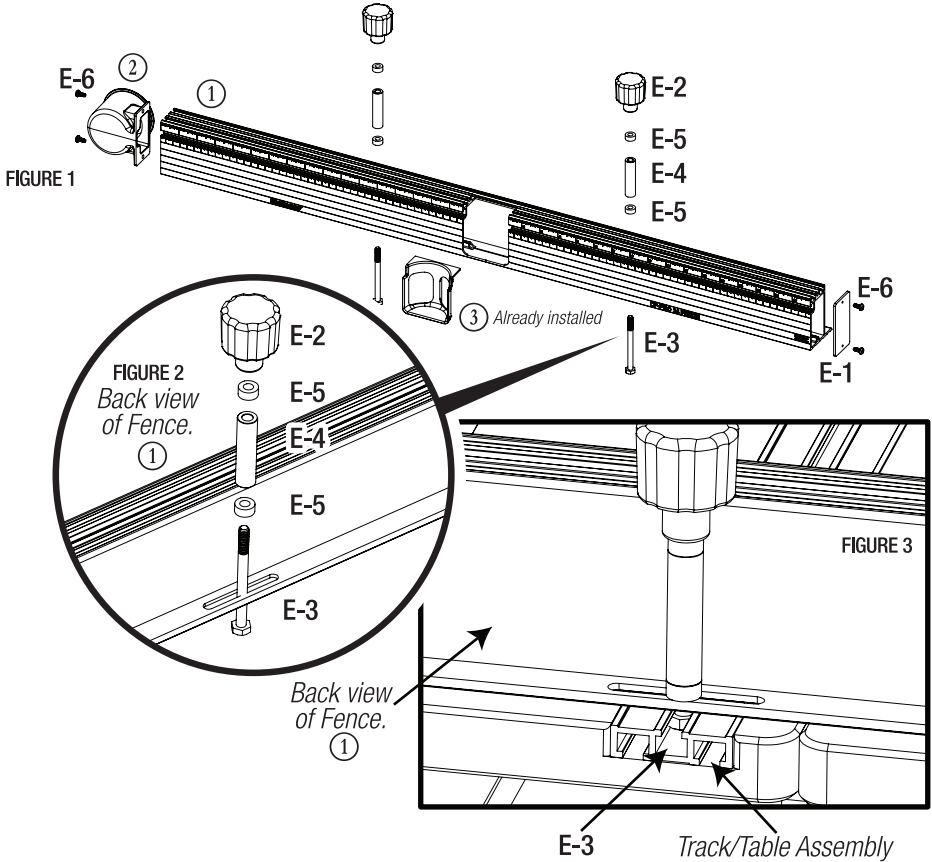


DIAGRAM	(QTY)	PART NAME
①	(1)	Fence (24", 36" or 48")
②	(1)	Dust Collection Elbow 2-1/4"
③	(1)	Dust Collection Center Chuck Fitting <i>Already installed.</i>
E-1	(1)	End Cap
E-2	(2)	Knob
E-3	(2)	1/4-20 x 3-3/4" Screw
E-4	(2)	Red Tube
E-5	(4)	Nylon Washer
E-6	(4)	10/32 x 1/2 Pan Head Torx Screw

If you think you're missing anything, email us at mailroom@woodpeck.com.
You can also call us at 800-752-0725 from 9:00 a.m. to 5:00 p.m. EST Monday - Friday.

FENCE INSTALLATION

1. The ② Dust Collection Elbow and E-1 End Cap can be secured to either end of the ① Fence using the (4) E-6 Pan Head Torx Screws. **Figure 1.**
2. Push the E-3 Screw up through the bottom of the Fence.
Then assemble the E-5 Nylon Washer, E-4 Red Tube and the E-5 Nylon Washer onto the Screw (in that order) securing with the E-2 Knob. **Figure 2.**
3. The Fence installs to the track/table assembly with the E-3 Screw head lined up in the track slot. **Figure 3.**



Woodpeckers®

PRECISION WOODWORKING TOOLS

Woodpeckers, LLC Strongsville, Ohio · woodpeck.com

© 2020 Woodpeckers, LLC



WARNING! This product can expose you to chemicals, including chromium, which is known to the State of California to cause cancer and birth defects or other reproductive harm. For more information go to www.P65Warnings.ca.gov