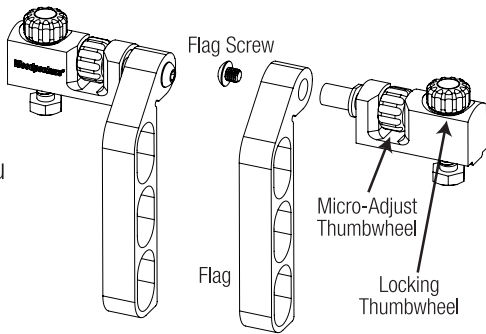


Woodpeckers[®]

DP-PRO FLIP STOPS

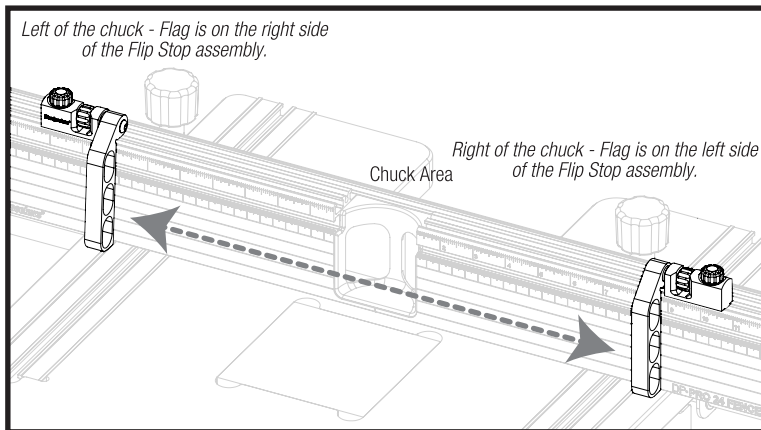
O W N E R ' S M A N U A L

- To reverse a Flip Stop for use on the other side of the chuck, remove the Flag Screw, reverse the Flag and re-install it.
- Loosen the Locking Thumbwheel and position the stop approximately where you need it. Tighten the Locking Thumbwheel.
- The precise position of the Flag can be fine-tuned using the Micro-Adjust Thumbwheel.



If you think you're missing anything, email us at mailroom@woodpeck.com.
You can also call us at 800-752-0725 from 9:00 a.m. to 4:00 p.m. EST Monday - Friday.

- The Flag of the Flip Stop should always be on the chuck side of the stop. Stops to the left of the chuck should have the Flag on the right side of the Flip Stop assembly. Stops to the right of the chuck should have the Flag on the left side of the Flip Stop assembly.



Woodpeckers®

PRECISION WOODWORKING TOOLS

Woodpeckers, LLC Strongsville, Ohio · woodpeck.com

© 2022 Woodpeckers, LLC



WARNING! This product can expose you to chemicals, including chromium, which is known to the State of California to cause cancer and birth defects or other reproductive harm. For more information go to www.P65Warnings.ca.gov

REV070722