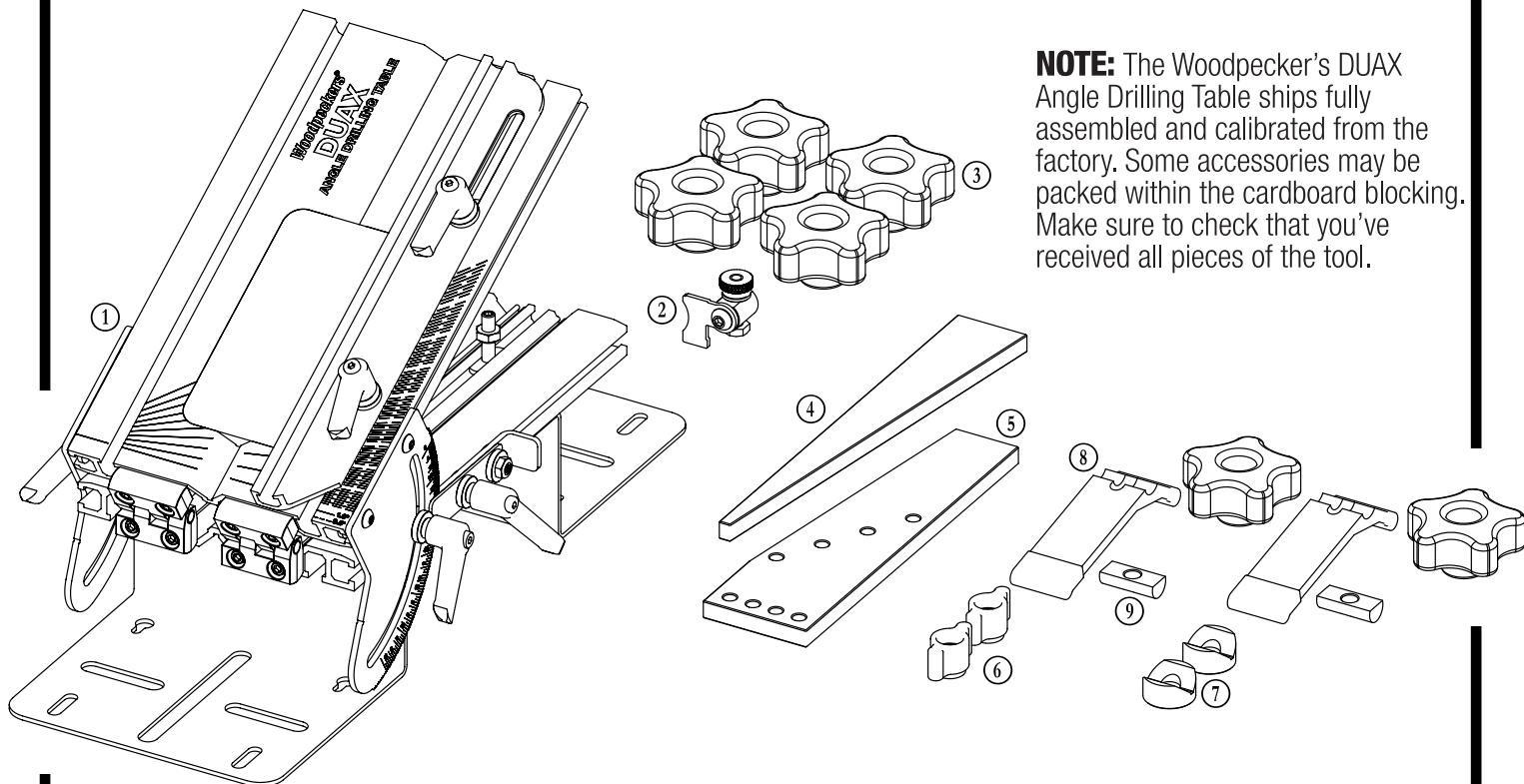


# Woodpeckers®

## DUAX ANGLE DRILLING TABLE

### OWNER'S MANUAL



**NOTE:** The Woodpecker's DUAX Angle Drilling Table ships fully assembled and calibrated from the factory. Some accessories may be packed within the cardboard blocking. Make sure to check that you've received all pieces of the tool.

DIAGRAM NUMBER	DUAX ANGLE DRILLING TABLE (QTY)	DUAX DELUXE KIT (QTY)	DUAX CLAMPING KIT (QTY)	PART NAME
①	(1)	(1)	--	DUAX Table with Stand/Riser, Fence, Removable MDF Insert
②	(1)	(1)	--	Arm Flip Stop, Stainless Steel
<b>HARDWARE BAG A</b>				
③	(4)	(6)	(2)	Multi-Knob, 1/4-20 Thread
---	(4)	(4)	--	Head Bolt, 1/4-20 x 3/4"
---	(2)	(2)	--	Wood Screw, #8 x 1"
<b>HARDWARE BAG B</b>				
④	--	(1)	(1)	Sliding Clamping Wedge
⑤	--	(1)	(1)	Fixed Clamping Wedge
⑥	--	(2)	(2)	Small Multi-Knob, 1/4-20 Thread
⑦	--	(2)	(2)	Duax Button Stop
⑧	--	(2)	(2)	Pivot Clamp Body
⑨	--	(2)	(2)	Pivot Slug
---	--	(2)	(2)	Head Bolt, 1/4-20 x 1"
---	--	(2)	(2)	Oval Nut, #10-32
---	--	(2)	(2)	Flat Head Phillips Screw, #10-32 x 1/2"
---	--	(2)	(2)	Hex Head Bolt, 1/4-20 x 3"
---	--	(2)	(2)	Washer, 1/4"



Scan the QR code above to watch the video or visit [woodpeck.com](http://woodpeck.com) under the video tab towards the bottom of the product page.

If you think you're missing anything, email us at [mailroom@woodpeck.com](mailto:mailroom@woodpeck.com). You can also call us at 800-752-0725 from 9:00 a.m. to 4:00 p.m. EST Monday - Friday.

## I. UNPACKING/INITIAL SETUP

The Woodpecker's DUAX Angle Drilling Table ships fully assembled and calibrated from the factory.

Some accessories may be packed within the cardboard blocking. Make sure to check that you've received all pieces of the tool.

## II. FEATURES/FUNCTIONS

A. 0–90° tilt, indexable at 1° increments, or fully variable. No tools required to change angle.

B. Adjustable 0° stops.

C. 10-1/4" x 6" working surface with two T-slots (*fits 1/4-20 hex head bolts*).

D. A laser engraved scale on the Table surface, allowing for the fence to be positioned between 0° and 45°. Markings down to 1/2°.

E. A removable MDF Insert to allow drilling through. (*Replacements available, or make your own*)

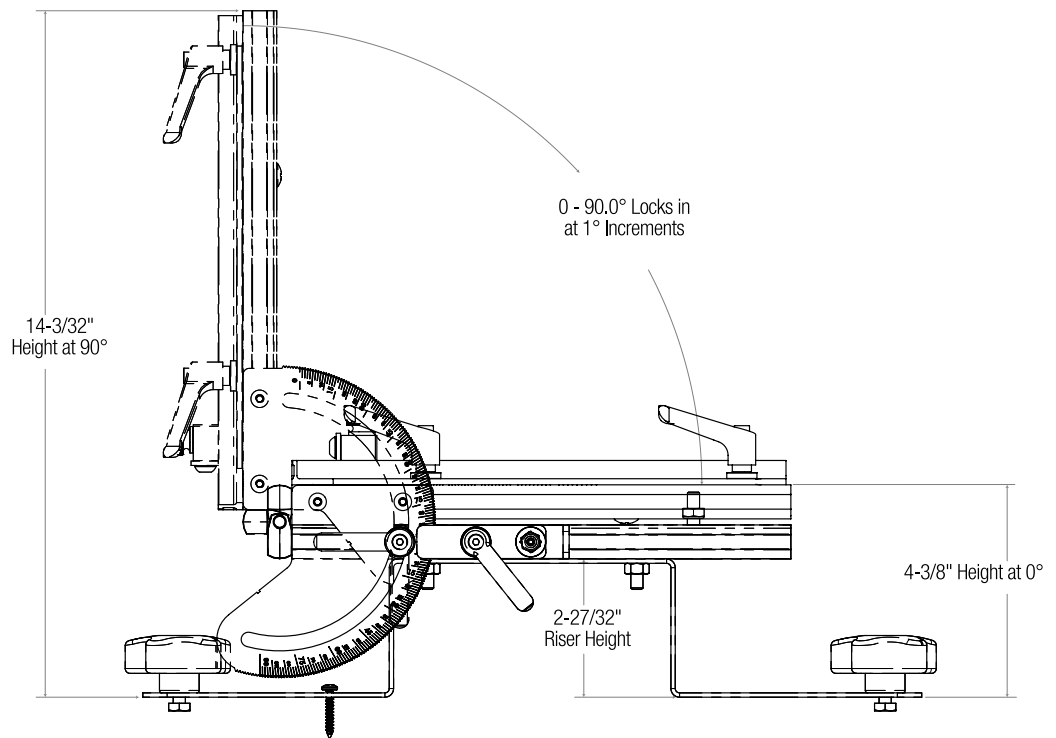
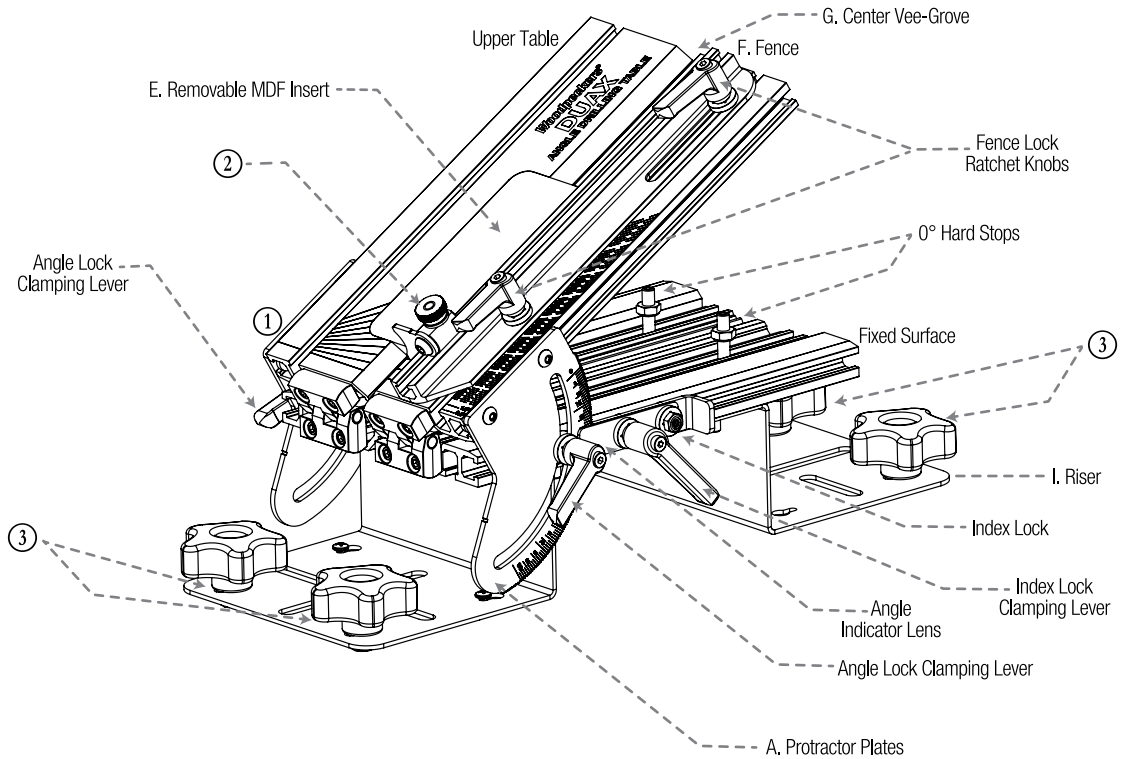
F. A Fence, position-able in various angles and locations on the table surface. No tools required to move fence.

G. A center v-groove to position round work

H. A Flip Stop ② for use within the Fence T-slot.

I. Integrated keyhole slots on the Riser allow the whole tool to be hung on the wall when not being used, easily in reach and fully assembled when needed.

J. Optional Clamping Kit available with Button Stops and Pivot Clamps available. Button Stops allow for repeat positioning of round objects.



### III. MOUNTING TO DRILL PRESS TABLES

#### AT THIS POINT YOU WILL NEED:

- ① DUAX Table
- **HARDWARE BAG A**
  - ③ Multi-Knob, 1/4-20 Thread
  - Head Bolt, 1/4-20 x 3/4"
  - Wood Screw, #8 x 1"

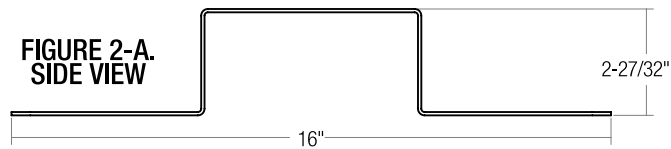
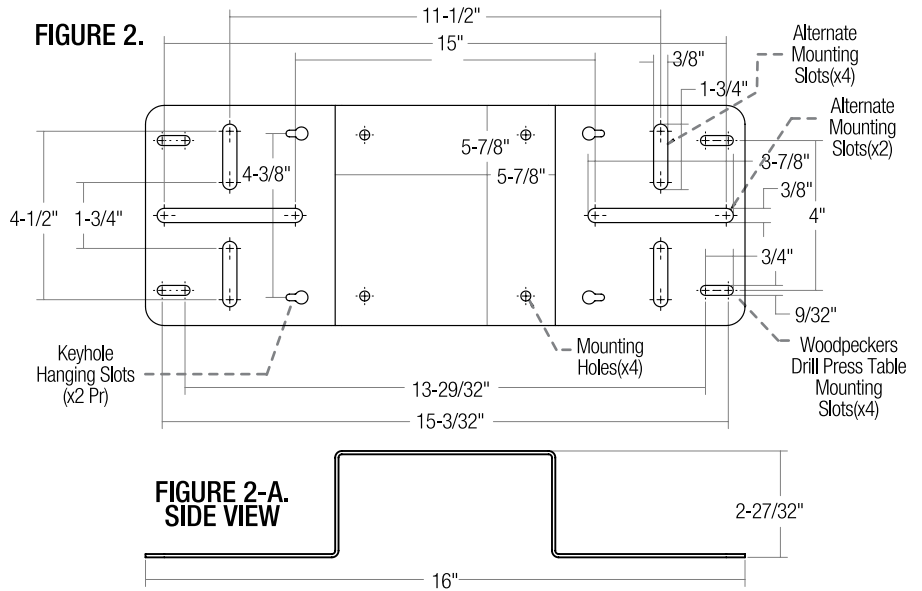
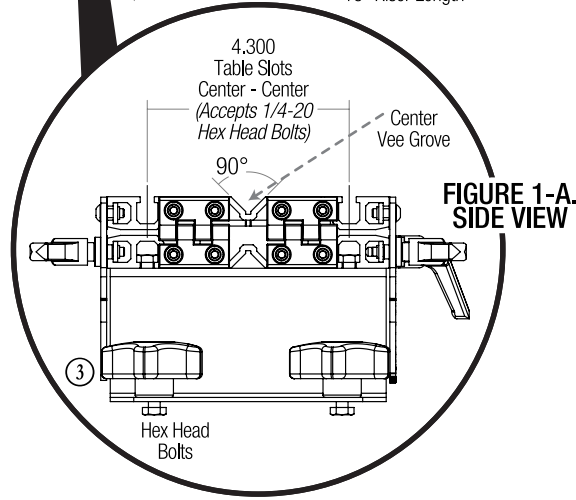
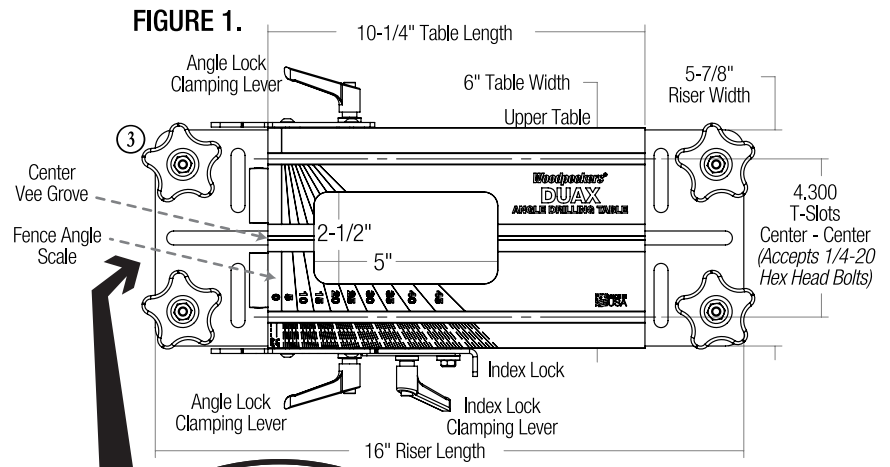
#### A. MOUNTING TO WOODPECKERS DRILL PRESS TABLES

- The DUAX Riser is designed to fit easily on any Woodpeckers Drill Press Table with embedded T-tracks.
- Use the (4) Multi-Knobs ③ and Hex Head Bolts to secure the DUAX to the drill press table. **FIGURES 1 & 1-A.**

**NOTE:** Where the DUAX gets placed on the drill press table will depend on the operation you are setting up.

#### B. MOUNTING TO OTHER DRILL PRESS TABLES

- The riser of the DUAX has an array of slots to provide clamping options for a variety of drill presses. **FIGURES 2 & 2-A.**
- At least one clamping point on each wing of the riser is required for good results with the DUAX.



## IV. USING THE DUAX ANGLE DRILLING TABLE, SETTING THE PRIMARY ANGLE

The primary angle of the DUAX can be set one of two ways: A. Index the angle setting in 1° increments -or- B. Manually adjust the angle setting between 0° and 90°.

### A. INDEX THE ANGLE SETTING:

1. Release the Angle Lock Clamping Levers on both Protractor Plates. **FIGURE 3.**
2. Release the Index Lock Clamping Lever.
3. Disengage the Teeth on the Protractor Plate and make sure the Index Lock is clear of the Teeth.
4. Lift on the upper half of the DUAX Table to adjust the angle until the Angle Indicator Lens is over the desired angle.
5. Engage the Index Lock into the Teeth of the Protractor Plate at the desired angle, ensuring that the Angle Indicator Lens is still on the desired angle. **FIGURE 4.**
6. Lock the Angle Lock Clamping Lever on the one Protractor Plate to secure the angle.
7. Lock the Index Lock clamping Lever, and then the Angle Lock Clamping Lever of the other Protractor Plate.

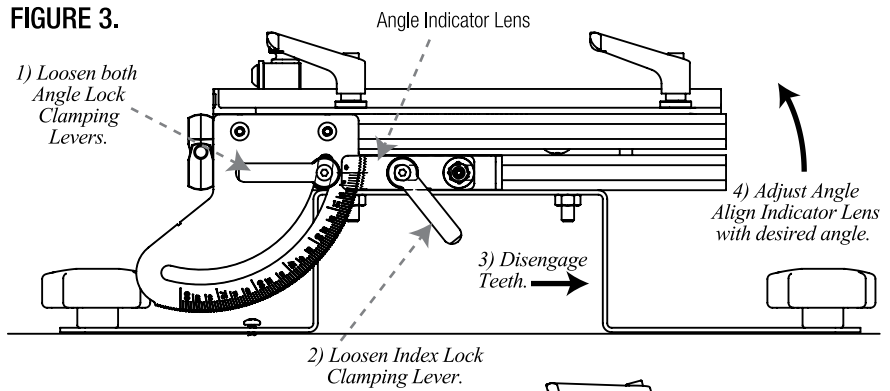
### B. MANUALLY ADJUST THE ANGLE SETTING

1. Release the Angle Lock Clamping Levers on both Protractor Plates. **FIGURE 5.**
2. Release the Index Lock Clamping Lever.
3. Disengage the Teeth on the Protractor Plate and make sure the Index Lock is clear of the Teeth.
4. Tighten the Clamping Lever with the Teeth disengaged.
5. Lift on the upper half of the DUAX Table to adjust the angle until the Angle Indicator Lens is over the desired angle.
6. Lock the Angle Lock Clamping Levers of both Protractor Plates to secure the table angle. **FIGURE 6.**

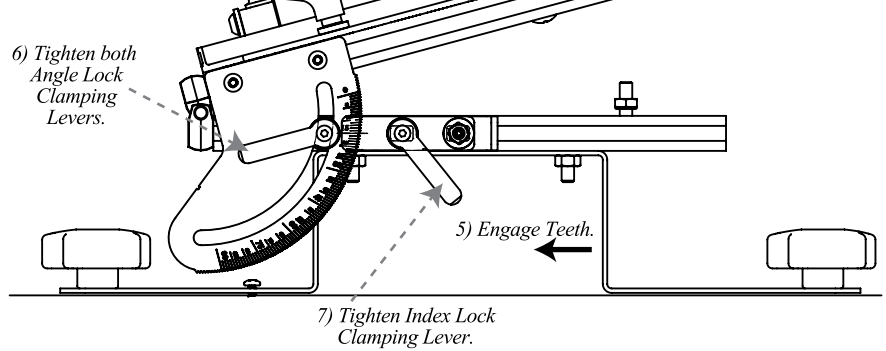
### C. TO ADJUST THE ANGLE USING A REFERENCE

1. Release the Angle Lock Clamping Levers on both Protractor Plates.
2. Release the Index Lock Clamping Lever.
3. Disengage the Teeth on the Protractor Plate and make sure the Index Lock is clear of the Teeth.
4. Tighten the Clamping Lever with the Teeth disengaged.
5. Place an angle reference (such as a Woodpeckers DeVe Square, sold separately) between the two Tables to set angle.
6. Lock the Angle Lock Clamping Levers of both Protractor Plates to secure the Table angle.

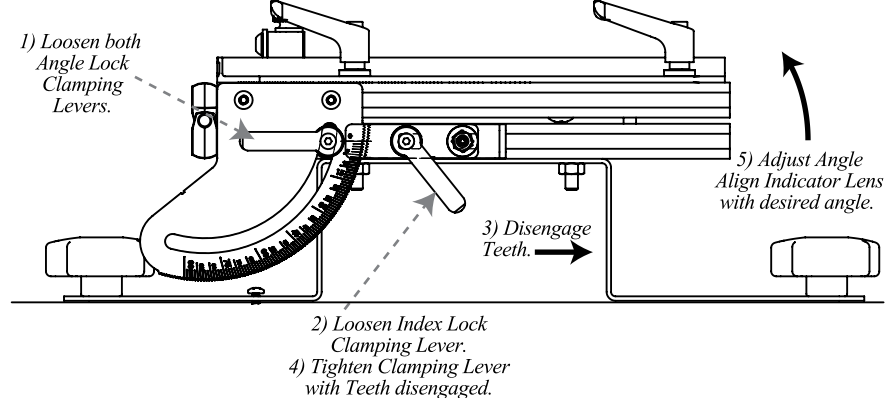
**FIGURE 3.**



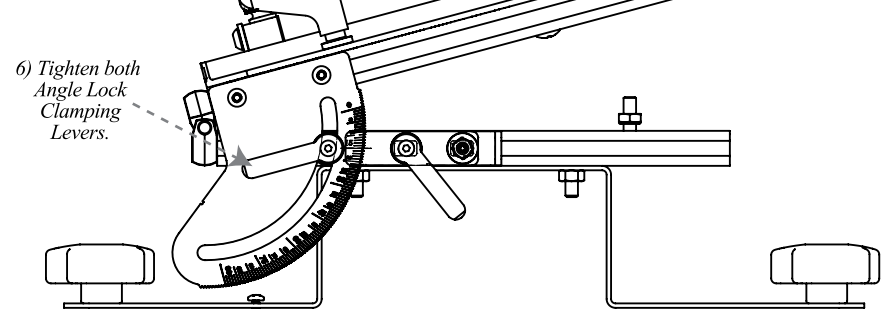
**FIGURE 4.**



**FIGURE 5.**



**FIGURE 6.**



## V. TABLE WORK HOLDING

The table of the DUAX has a pair of T-Slots for work stops and clamps, as well as a Center Vee-Groove for locating round work pieces. Details for using the fence as well as the accessories included in the Clamping Kit are detailed in the following sections.

## VI. USING THE FENCE

- The Fence can be easily positioned perpendicular or parallel to the T-slots of the Table.
- The Fence can be positioned at angles up to 45°.
- The T-Slot in the Fence accepts 1/4-20 hardware and can be used with the included Flip Stop or Clamps (*Optional Accessory*).
- The Fence is engraved with a Fence Angle Scale that has angles from 0° to 45°, in half degree increments.

### A. TO USE THE FENCE ANGLE SCALE:

1. Set the Fence into the T-slots such that the short side of the Fence is on the solid "0" line of the Fence Angle Scale.
2. Set the Fence angle by releasing both Fence Lock Ratchet Knobs and pivoting the Fence to the desired angle. The short side of the Fence is where you read the angle of the Fence. The left end of the Fence must intersect with where the engraved "0" line intersects the edge of the Upper Table. **FIGURES 7 & 7-A.**

3. Tighten the Fence Lock Ratchet Knobs to secure the Fence at the angle.

### B. TO SET THE FENCE PARALLEL TO THE TABLE:

1. Loosen the Fence Lock Ratchet Knobs and remove Fence from the Table.
2. Replace the Fence with both Fence Lock Ratchet Knobs and Fence Bushings in the same slot of the Table.
3. Tighten the Fence Lock Ratchet Knobs on the Fence to secure it parallel to the Table.

### C. TO SET THE FENCE PERPENDICULAR TO THE TABLE:

1. Loosen the Fence Lock Ratchet Knobs on the Fence, place Fence Bushings in each slot of Table.
2. Use a square reference (*such as a Woodpeckers DelVe Square, sold separately*) to square the Fence to the edge of the Table. **FIGURES 8 & 8-A.**

3. Tighten the Fence Lock Ratchet Knobs on the Fence to secure perpendicular to the Table.

### D. TO SET THE FENCE AT AN ANGLE NOT USING THE ENGRAVED SCALE:

1. Loosen the Fence Lock Ratchet Knobs on the Fence, place Fence Bushings in each slot of Table.
2. Use a reference (*such as a Woodpeckers DelVe Square, sold separately*) to set the angle relative to the edge of the Table.
3. Tighten the Fence Lock Ratchet Knobs on the Fence to secure the angle.

FIGURE 7.

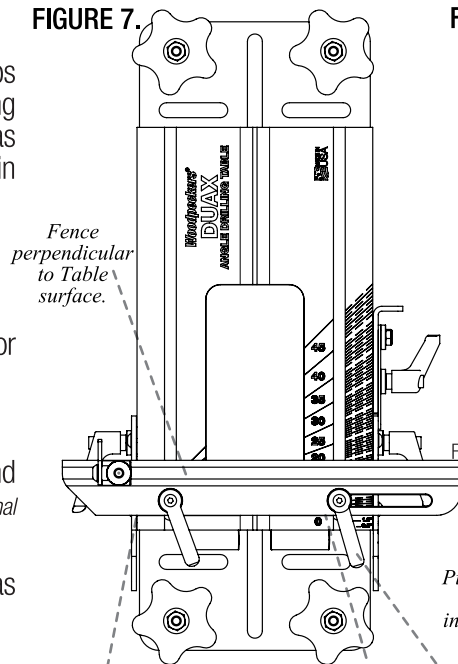
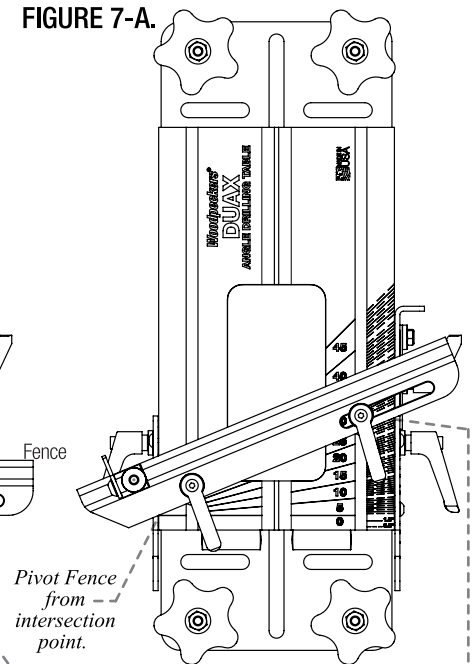


FIGURE 7-A.



Line up back edge of the Fence so that it crosses where the edge of the Table and 0° line intersect.

Read Angle of Fence from back side of Fence.

Fence Lock Ratchet Knob

Line up back edge of the Fence to desired angle. This angle reads 22.5.

FIGURE 8.

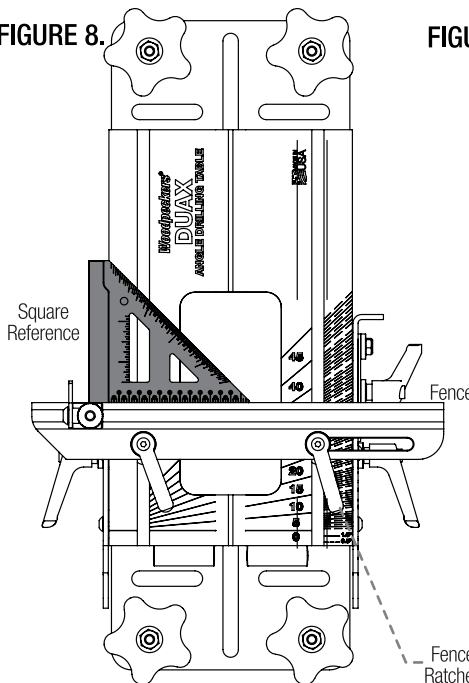
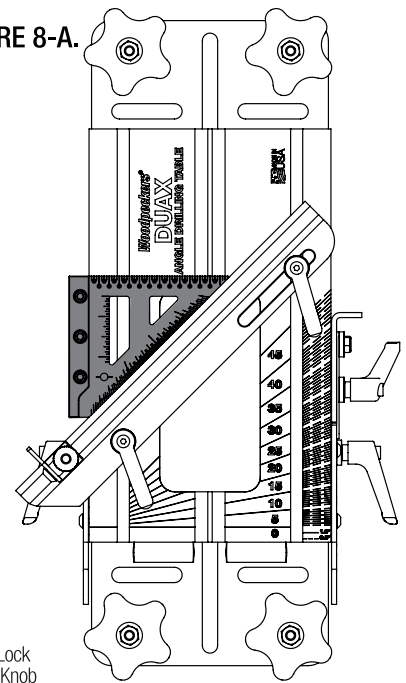


FIGURE 8-A.





## VII. RE-ORIENTING THE TABLE ON THE RISER

- The DUAX table can be oriented on the Riser either parallel or perpendicular to the legs, and can be slid to position based on what you are setting up. **FIGURES 9 & 9-A.**
- The DUAX bottom table is secured to the Riser with (4) 1/4-20 Hex Head Bolts and Nuts. Use a 7/16" wrench (*not included*) to loosen the Nuts to either re-orient or slide the Table on the Riser.

## VIII. DUAX BUTTON STOPS (Optional Accessory).

The DUAX Buttons Stops (7) can be used to locate work on the Table in a variety of ways. **FIGURE 12.**

- Setting two Buttons Stops in line on the Table provides a reference for workpieces that don't have straight lines (*such as round workpieces*). This can be done using a square reference from the edge of the Table.
- The Buttons Stops can also be set at other angles that the fence might not be able to easily reach.
- Buttons Stops have vee-grooves to allow for double angled setup for round work pieces.
- Store the Button Stops in-between the two table surfaces, when not in use.

FIGURE 9.

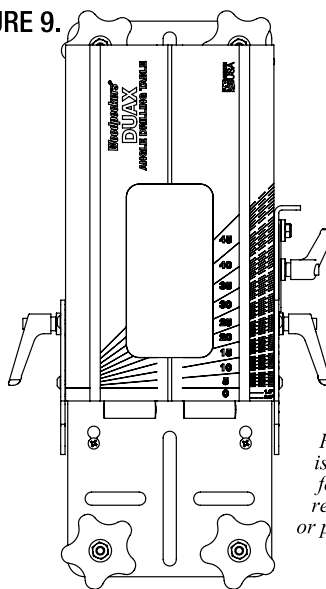
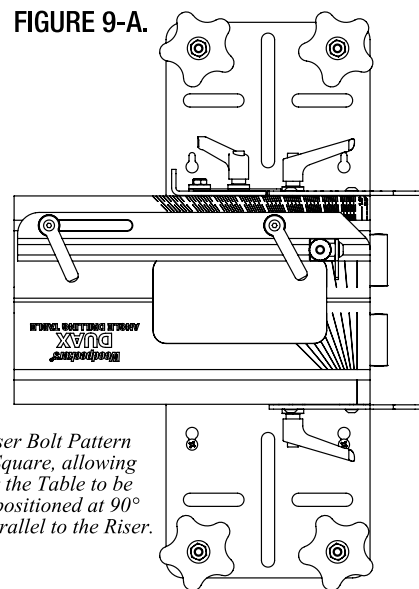
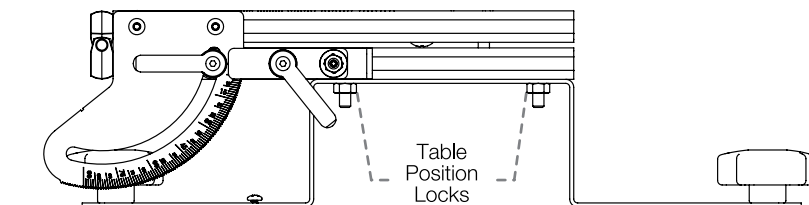


FIGURE 9-A.



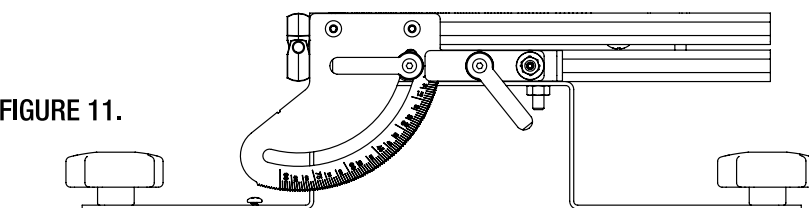
*Riser Bolt Pattern is Square, allowing for the Table to be re-positioned at 90° or parallel to the Riser.*

FIGURE 10.



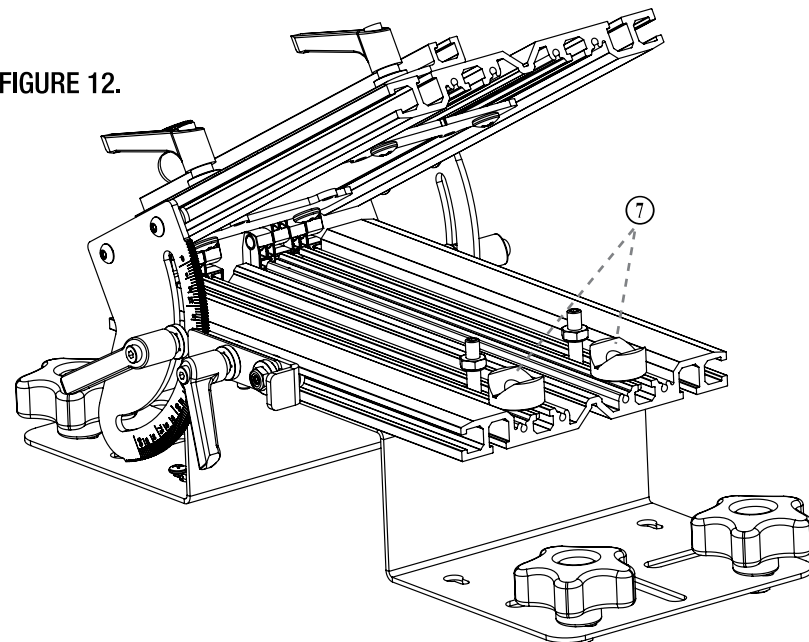
*Table can be positioned at different locations on top of the Riser to accommodate setup requirements.*

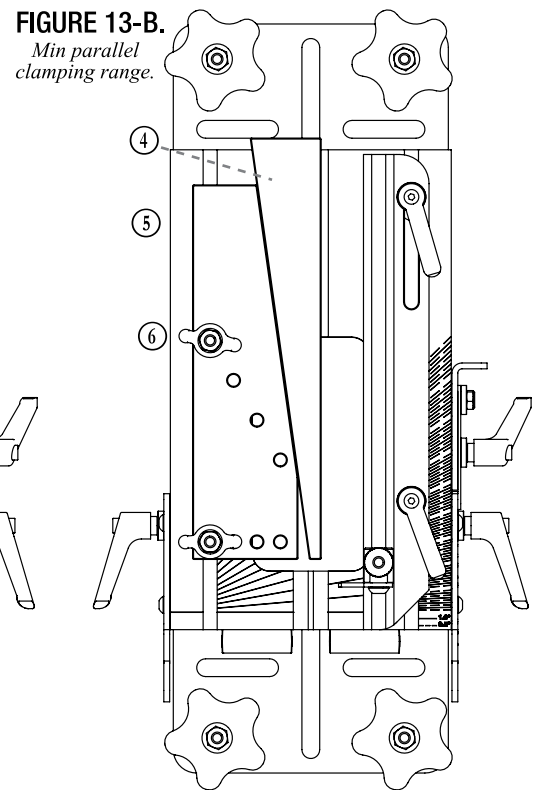
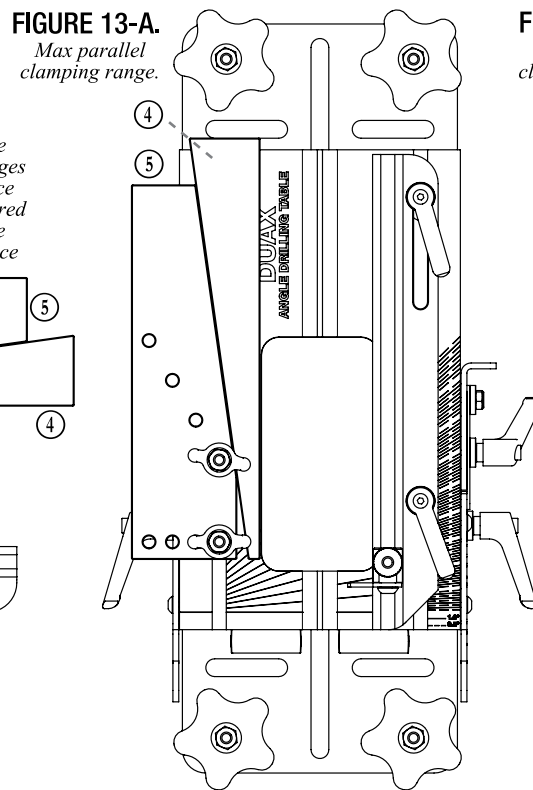
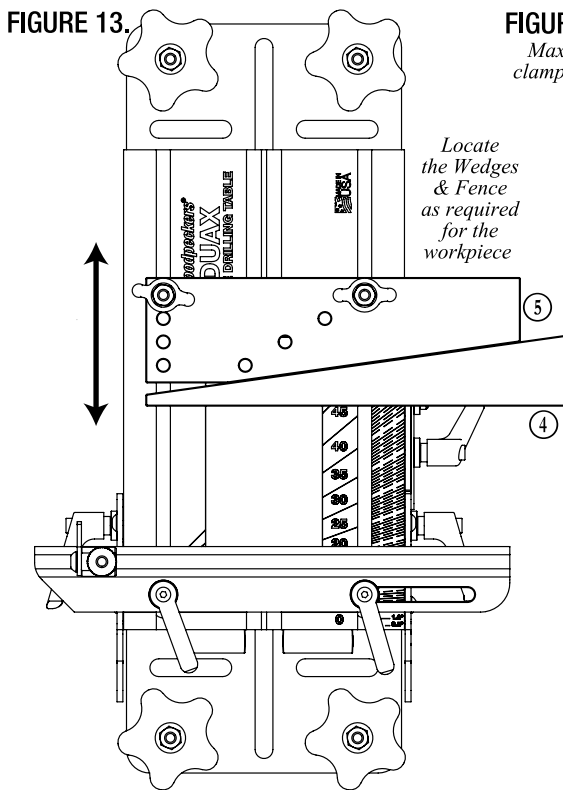
FIGURE 11.



*Most rigid setup will be when hinge end of the Table is right at the end of the Riser*

FIGURE 12.





## VIII. CLAMPING WEDGES *(Optional Accessory).*

- The Sliding Clamping Wedge ④ or the Fixed Clamping Wedge ⑤ provide a low profile way to clamp work to the DUAX Table. **FIGURES 13, 13-A & 13-B.**
- The Sliding Clamping Wedge and the Fixed Clamping Wedges can be positioned either along the Table or across the Table, depending on the work being fixtured. Either the Fence or the DUAX Button Stops need to be used on the opposite side of the work piece to enable clamping.
- When used across the Table, position the Hex Bolts and Knobs in the widest configuration. The clamping range is only limited by placement of the Fixed Wedge and Fence/Stops.
- When used along the Table, position the Hex Bolts and Small Multi-Knobs ⑥ in corresponding holes to adjust the clamping range. Clamping against the Button Stops instead of the Fence also allows for a difference in capacity.
- To use the Sliding Clamping Wedge and the Fixed Clamping Wedges, position the Fixed and Sliding Wedge so that there is full contact on the slope, and the workpiece is loosely clamped between the Wedges and Fence/Button Stops.
  - Use a firm tap on the wide end of the Sliding Clamping Wedge to clamp.
  - To unclamp, use a firm tap on the small end of the Sliding Clamping Wedge edge.

## IX. FINE TUNING/CALIBRATION

The DUAX comes calibrated from the Factory. If it ever gets knocked out of calibration, follow these steps to get back to the factory settings.

### A. CALIBRATING 0° SETTING

1. The 0° setting of the DUAX is set by the height of the Nylon Lock Nuts between the two Tables. These can be adjusted by using a 7/16" wrench *(not included)*. The Set Screws that the Nylon Lock Nut is on should not turn. If it does, re-snug with an 1/8" wrench *(not included)* and use to resist the rotation caused by adjusting the Nylon Lock Nut.
2. Adjust one of the Nylon Lock Nuts up or down until the gaps at both ends of the extrusion is the same.
3. Once one of the Nylon Lock Nuts is in place, adjust the other until it's at the same height.

### B. CALIBRATING THE INDEXABLE PROTRACTOR PLATE

1. The indexable Protractor Plate can be re-calibrated after calibrating the 0° setting.
2. Loosen the Index Lock Clamping Lever on the Index Lock, then slide it to disengage the Teeth.
3. Set the table to 0° by lowering the Table until it rests on the Nylon Lock Nuts.
4. Loosen the Angle Lock Clamping Levers and the (2) Button Head Cap Screws on the Protractor Plate.

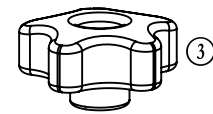
5. Adjust the position of the Protractor Plate so that the edge of Plate is coincident with the top and the front. Lightly snug the Button Head Cap Screws.

6. Slide the Index Lock forward so that it engages with the Protractor Plate at "0°". This may require adjustment of the position of the Protractor plate relative to the top and front. Secure the Index Lock in place with the Index Lock Clamping Lever.

7. Next, lock the Protractor Plate with its Angle Lock Clamping Lever.

8. Fully tighten the Button Head Cap Screws.

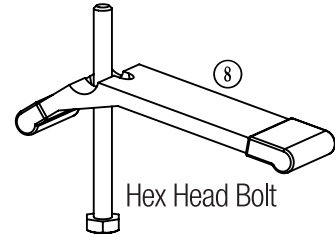
9. Check that the calibration is accurate by setting the Table at angles that you can check with a known good reference (such as a Woodpeckers DeVe Square, sold separately).



Washer



FIGURE 14.



## X. USING THE PIVOT CLAMPS *(Optional Accessory).*

### AT THIS POINT YOU WILL NEED:

- ③ Multi-Knob, 1/4-20 Thread
- ⑧ Pivot Clamp Body
- ⑨ Pivot Slug
- **HARDWARE BAG B**  
Hex Head Bolt, 1/4-20 x 3"  
Washer, 1/4"

• The Pivot Clamps are a versatile way to clamp down work on the DUAX Table via the T-slots in either the Table surface or the Fence.

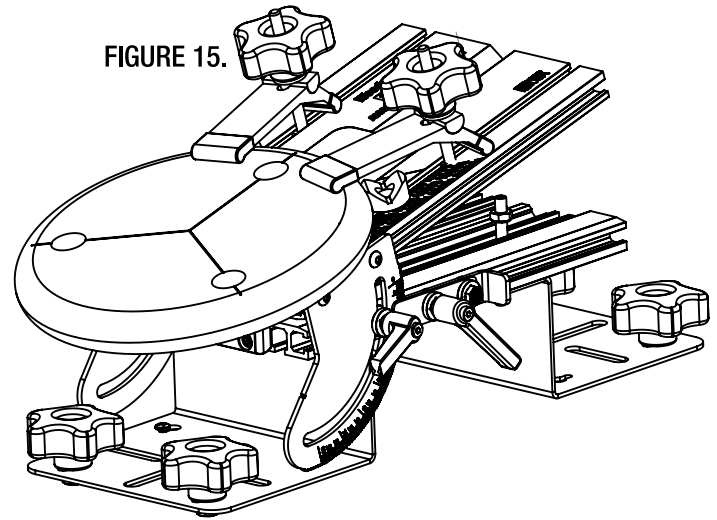
1. To use, slide the Hex Head Bolt up through the slot of the Pivot Clamp Body ⑧ and position such that one leg of the Pivot Clamp Body is resting on your work piece and the other is resting on the Duax Table surface. **FIGURE 14.**

2. Add the Pivot Slug ⑨ (flat end up) followed by a Washer.

3. Tighten the Multi-Knob ③ to the Hex Head Bolt to secure.

4. Pivot Clamps are best used in pairs. **FIGURE 15.**

FIGURE 15.



# Woodpeckers®

Woodpeckers, LLC Strongsville, Ohio  
**woodpeck.com**  
© 2022 Woodpeckers, LLC



woodpeck.com

**At Woodpeckers we are constantly reviewing & improving our tools. The most current version of our instruction manuals are always available to download/print at woodpeck.com via the tool's page.**

*(Located in the bottom section of the tool page under the "Additional Information" or "Instructions" tabs.)*



**Be the first to know all the new products & sales by subscribing to our eClub.**  
*(Located at the top center of our webpage woodpeck.com.)*



**Subscribe to our YouTube channel to stay up-to-date on all the latest tool tips & tricks.**



**Interact with us! Follow us on Facebook & Instagram!**



### WARNING!

This product can expose you to chemicals, including chromium, which is known to the State of California to cause cancer and birth defects or other reproductive harm.  
For more information go to [www.P65Warnings.ca.gov](http://www.P65Warnings.ca.gov)