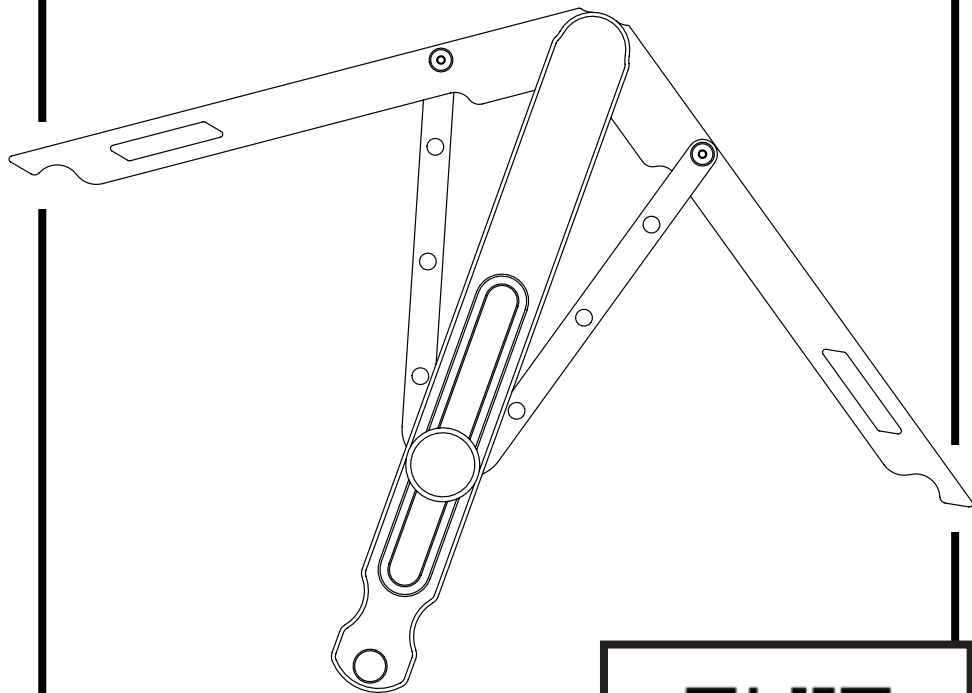


# **Woodpeckers<sup>®</sup>**

## **ENGLE ANGLE**

O W N E R ' S M A N U A L



**Scan the QR code above  
to watch the video  
or visit [woodpeck.com](http://woodpeck.com)  
under the video tab towards  
the bottom of the product page.**

If you think you're missing anything, email us at [mailroom@woodpeck.com](mailto:mailroom@woodpeck.com).  
You can also call us at 800-752-0725 from 9:00 a.m. to 4:00 p.m. EST Monday - Friday.

## USING YOUR ENGLE ANGLE

1. Loosen the locking knob and adjust the arms of the Engle Angle to match the corner you're fitting. **FIGURE A & B**

2. Tighten the locking knob and transfer the angle between the central body and one arm to your material. **FIGURE C**

3. If it is necessary to set the angle on your miter saw, rather than marking your material, disconnect one arm and move it out of the way.

4. Align the connected arm to the back fence of your miter saw. **FIGURE D**

5. Unplug your miter saw. Bring the blade down to just above the table and adjust the miter angle until the saw blade matches the body of the Engle Angle. Confirm the fit with a test cut.

FIGURE A

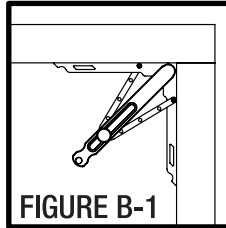
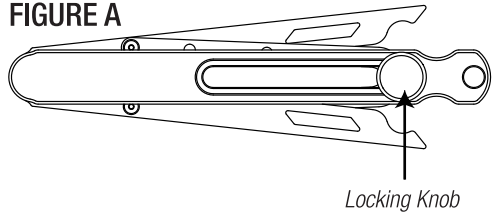


FIGURE B-1

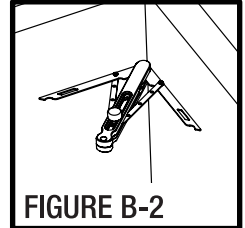


FIGURE B-2

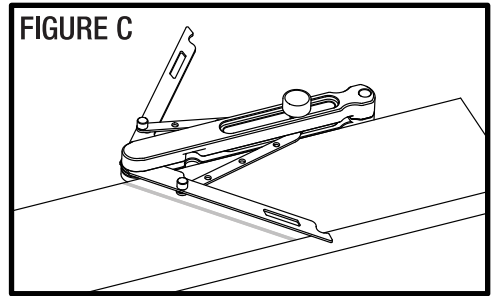


FIGURE C

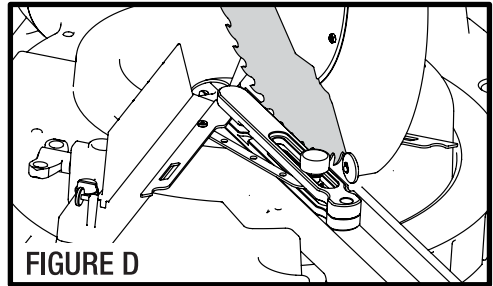


FIGURE D

# Woodpeckers®

Woodpeckers, LLC Strongsville, Ohio

[woodpeck.com](http://woodpeck.com)

© 2023 Woodpeckers, LLC



[woodpeck.com](http://woodpeck.com)

At Woodpeckers we are constantly reviewing & improving our tools. The most current version of our instruction manuals are always available to download at [woodpeck.com](http://woodpeck.com).

(Located in the bottom section of the tool's page under the "Additional Information" or "Instructions" tabs.)



Be the first to know all the new products, **OneTIME Tools & sales** by subscribing to our eClub. (Located at the top center of our webpage [woodpeck.com](http://woodpeck.com).)



Subscribe to our YouTube channel to stay up-to-date on all the latest tool tips & tricks.



INTERACT WITH US! Follow us on Facebook, Instagram & TikTok!



Enjoy shop tips, project ideas, tool techniques & more in our Woodworking Resource Center/Blog. (Located at the bottom center of our webpage [woodpeck.com](http://woodpeck.com).)

REV061523



**WARNING!** This product can expose you to chemicals, including chromium, which is known to the State of California to cause cancer and birth defects or other reproductive harm. For more information go to [www.P65Warnings.ca.gov](http://www.P65Warnings.ca.gov)