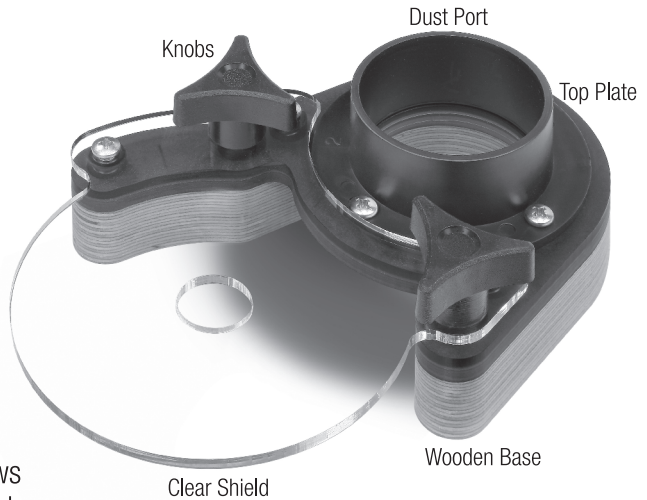


Woodpeckers®

FREEHAND GUARD

O W N E R ' S M A N U A L

- (1) Dust Port
- (1) Clear Shield
- (1) Top Plate
- (1) Wooden Base
- (3) 1" Coarse Thread Screws
- (1) 1/2" Machine Thread Screw
- (3) 1-1/4" Coarse Thread Screws
- (5) Nylon Spacers
- (2) Knobs



Alternate Attachment Hardware

- (2) 1/4"-20 Pan Head Screws
- (2) 1/4" -20 Star Washer Nuts
- (2) Washers

Woodpeckers Freehand Guard bolts directly to Woodpeckers router plates and router lifts. If you have a Woodpeckers router plate or router lift, use the hardware package marked "Mounting Knobs".

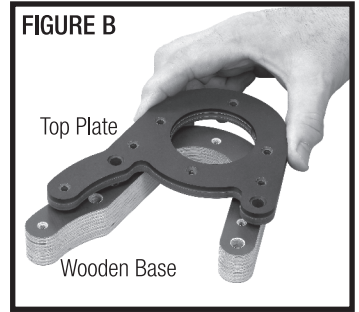
You can mount the Freehand Guard to any other brand of lift or plate by drilling two holes in your plate. Instructions for adapting other brands are on page 4 and you will need the hardware in the package marked "Alternate Attachment Hardware".

If you think you're missing anything, email us at mailroom@woodpeck.com.
You can also call us at 800-752-0725 from 9:00 a.m. to 4:00 p.m. EST Monday - Friday.

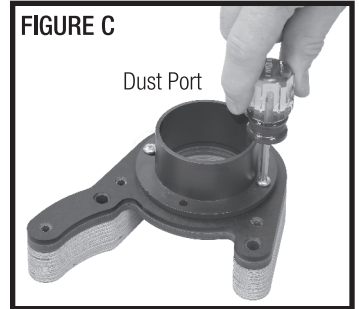
ASSEMBLING THE FREEHAND GUARD

1. Place the Top Plate over the Wooden Base.

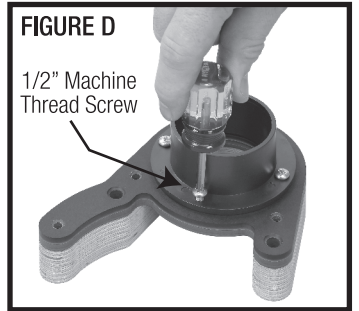
FIGURE B.



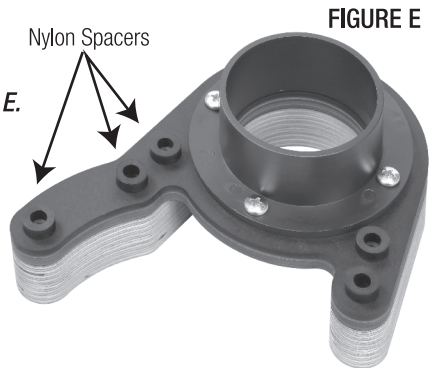
2. Position the Dust Port on the Top Plate and attach it with the (3) 1" Coarse Thread Screws on the 2 sides and the back of the Base Assembly . **FIGURE C.** Make sure the Top Plate and Wooden Base are aligned around their edges before tightening the screws.



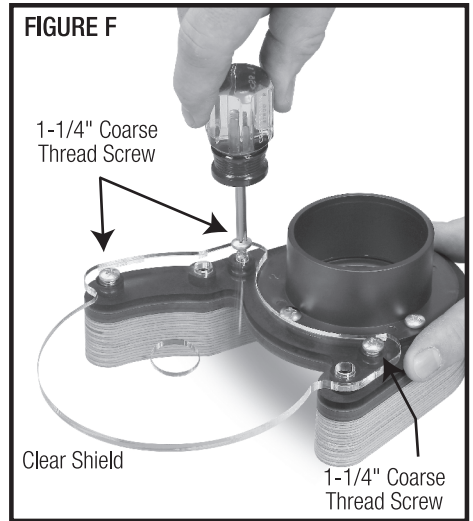
3. Use the 1/2" Machine Thread Screw for the front hole of the Base Assembly. **FIGURE D.**



4. Set each of the (5) Nylon Spacers over the remaining holes in the Base Assembly. **FIGURE E.**

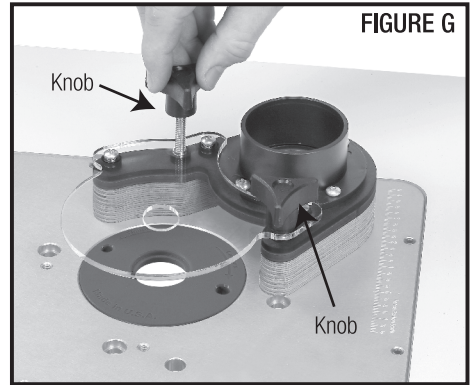


5. Carefully lay the Clear Shield over the Nylon Spacers. **FIGURE F.** Make sure all five holes in the Clear Shield are aligned with the Nylon Spacers on the Base. Insert a 1-1/4" Coarse Thread Screw into each of the three smaller holes. Tighten the screws.



6. Position the Freehand Guard as shown on your Woodpeckers router plate or router lift. **FIGURE G.** Attach it to the plate using the (2) Knobs. *No washers are used between the head of the Knob and the Freehand Guard.*

For other brands of lifts and plates, proceed to the instructions on the next page.



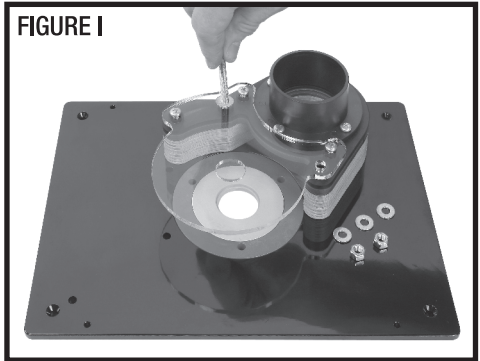
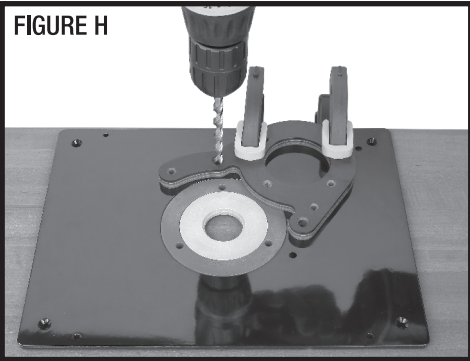
DRILLING MOUNTING HOLES

This section only applies to other brands of plates and lifts.

Use the Top Plate as a drill guide. Position the Top Plate carefully. Make sure it's set on the back half of the plate away from the operator side. When you're facing the operators edge of the plate, one hole is located at 12 o'clock and the other at 3 o'clock. Orient the Top Plate accordingly on your router mounting plate. Once you have it in position, clamp the Top Plate to the router plate and a piece of scrap to prevent tear-out on the bottom of your plate. See *Figure H*.

Use a 5/16" drill bit to drill through the two mounting hole locations.

Use the Alternate Attachment Hardware by inserting the two 1/4-20 Pan Head Screws with Washers down through the two holes. See *Figure I*. Install another Washer and the 1/4-20 Star Washer Nuts from underneath.



Woodpeckers®

Woodpeckers, LLC Strongsville, Ohio

woodpeck.com

© 2023 Woodpeckers, LLC



woodpeck.com

At Woodpeckers we are constantly reviewing & improving our tools. The most current version of our instruction manuals are always available to download at woodpeck.com.

(Located in the bottom section of the tool's page under the "Additional Information" or "Instructions" tabs.)



Be the first to know all the new products, *OneTIME Tools* & sales by subscribing to our eClub. *(Located at the top center of our webpage woodpeck.com.)*



Subscribe to our YouTube channel to stay up-to-date on all the latest tool tips & tricks.



INTERACT WITH US! Follow us on Facebook, Instagram & TikTok!



Enjoy shop tips, project ideas, tool techniques & more in our Woodworking Resource Center/Blog. *(Located at the bottom center of our webpage woodpeck.com.)*



WARNING: This product can expose you to chemicals, including chromium, which is known to the State of California to cause cancer and birth defects or other reproductive harm. For more information go to www.P65Warnings.ca.gov