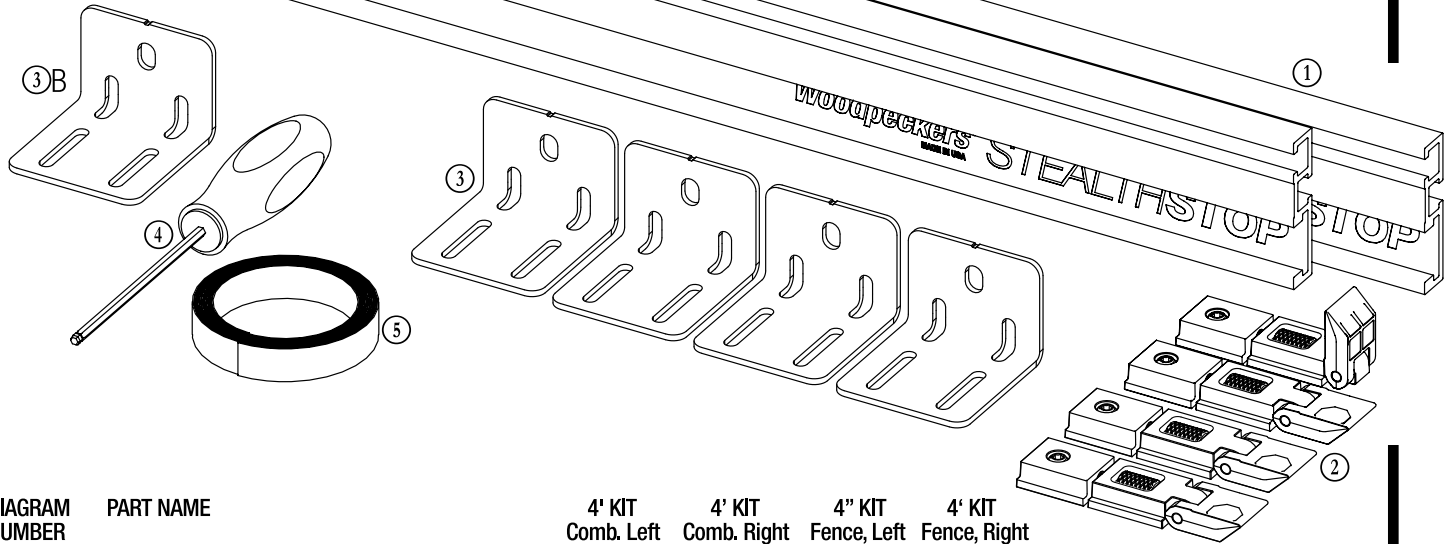


Woodpeckers®

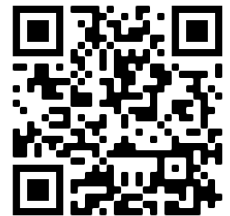
STEALTHSTOP™

MITER SAW FENCE & STOP SYSTEM

OWNER'S MANUAL



| DIAGRAM NUMBER | PART NAME | 4' KIT Comb. Left (QTY) | 4' KIT Comb. Right (QTY) | 4" KIT Fence, Left (QTY) | 4' KIT Fence, Right (QTY) |
|-----------------------|---|-------------------------|--------------------------|--------------------------|---------------------------|
| ① | 4' Combo Track | (2) | (2) | (1) | (1) |
| ② | StealthStop Flip Stop, Micro-Adjustable | (4) | (4) | (2) | (2) |
| ③ | Mounting Bracket | (4) | (4) | (4) | (4) |
| ⑤ | Combination Metric & Inch Scale Tape | | | | |
| | A. Left-to-Right Scale 12'/3m | --- | (1) | --- | (1) |
| | B. Right-to-Left Scale 12'/3m | (1) | --- | (1) | --- |
| HARDWARE BAG A | | | | | |
| | Washer, #10 | (4) | (4) | (4) | (4) |
| | Wood Screw, #10 x 1" | (4) | (4) | (4) | (4) |
| | Button Head Cap Screw, #10-32 x 3/8" | (18) | (18) | (18) | (18) |
| | Oval Nut, #10-32 | (18) | (18) | (18) | (18) |
| | Hex Key Mounting Bushing, 1/8" | (1) | (1) | (1) | (1) |
| | Thin Hex Nut, 1/4-20 | (1) | (1) | (1) | (1) |
| HARDWARE BAG B | | | | | |
| ④ | Hex Key, 1/8" Screwdriver Handled | (1) | (1) | (1) | (1) |
| ③B | Mounting Bracket (for Hex Key) | (1) | (1) | (1) | (1) |



Scan the QR code above to watch the video or visit woodpeck.com under the video tab towards the bottom of the product page.

If you think you're missing anything, email us at mailroom@woodpeck.com.
You can also call us at 800-752-0725 from 9:00 a.m. to 4:00 p.m. EST Monday - Friday.

I. INSTALLATION

The Stealth Stop combo track can be installed in three different configurations. Read through the three following options and choose the arrangement that best suits your needs.

OPTION 1:
Combination
Setup Installation
Pages 2-3

OPTION 2:
Vertical Fence
Installation
Page 3

OPTION 3:
Flush Mount
Installation
Page 4

→OPTION 1: COMBINATION INSTALLATION

The Combination setup uses a pair of Combo Tracks to create a horizontal and vertically oriented slot for StealthStops to be used in. This allows for two StealthStops to be located very close to the same dimension. **FIGURES 1-A & 1-B.**

AT THIS POINT YOU WILL NEED:

- ① 4' Combo Track (2)
- ③ Mounting Bracket (4)
- **HARDWARE BAG A**
 - Washer, #10 (4)
 - Wood Screw, #10 x 1" (4)
 - Button Head Cap Screw, #10-32 x 3/8" (16)
 - Oval Nut, #10-32 (16)

HARDWARE BAG B

- ④ Hex Key, 1/8" Screwdriver Handled

*NOT INCLUDED THAT YOU WILL NEED:

- ✓ (4 to 6) 1/4-20 Hex Head Bolts, *long enough to pass through the table top and allow for a washer and lock nut.*
- ✓ (4 to 6) 1/4-20 Washers
- ✓ (4 to 6) 1/4-20 Lock Nuts

1. Begin by laying out where the embedded Combo Track ① will go relative to your miter saw.

NOTE: The recommended location of the Combo Track starts 1-3/16" back from your miter saw fence. This will result in the upright fence having a 1/16" setback from your miter saw fence. **FIGURE 1-C.**

2. The embedded Combo Track can either be installed in a routed groove (2-7/32" wide x 1/2" deep), or in a table top (made from laminating 1/2" thick plywood to create the groove).

3. Drill at least (4) 5/16" diameter holes, approximately 7/8" from the back of groove through your bench top. These holes are for the 1/4-20 Hex Head Bolts* (*not included*) to secure the embedded Combo Track in your bench. **FIGURE 1-D.**

4. Insert Hex Head Bolts* of the appropriate length through the holes from the top of the bench, and then start a Washer* and Nut* on the bottom side of the bench.

5. Slide one of the Combo Tracks into the groove, lifting and aligning the Hex Head Bolts as you go. Lightly tighten the Hex Nuts from below the bench.

FIGURE 1-A.

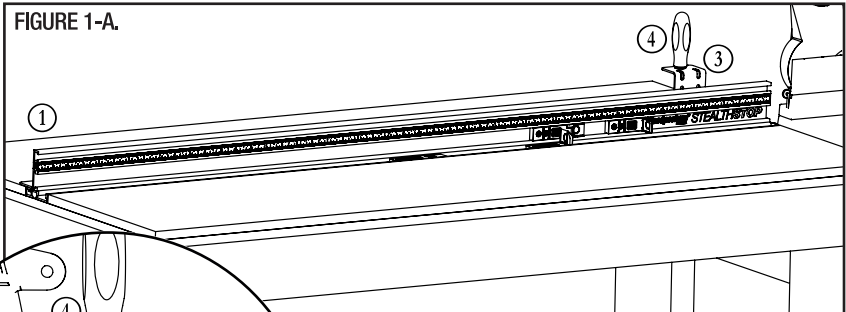
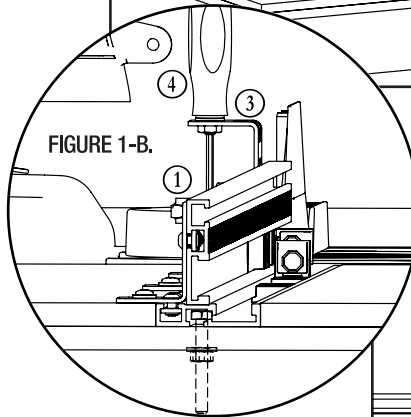


FIGURE 1-B.



1-3/16"
Groove set back
from saw fence

FIGURE 1-C.

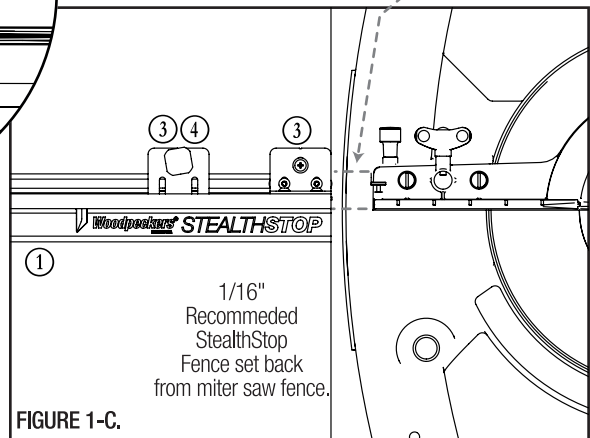
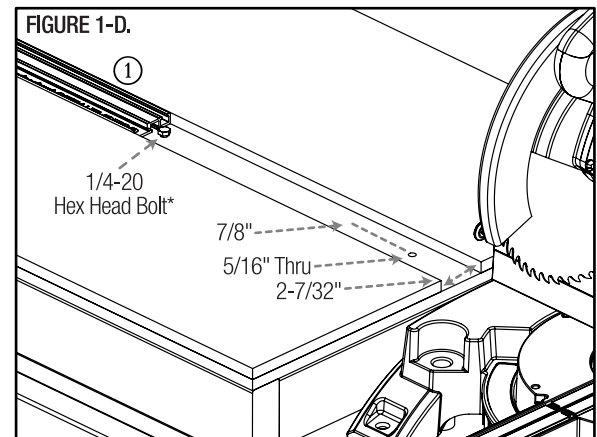


FIGURE 1-D.

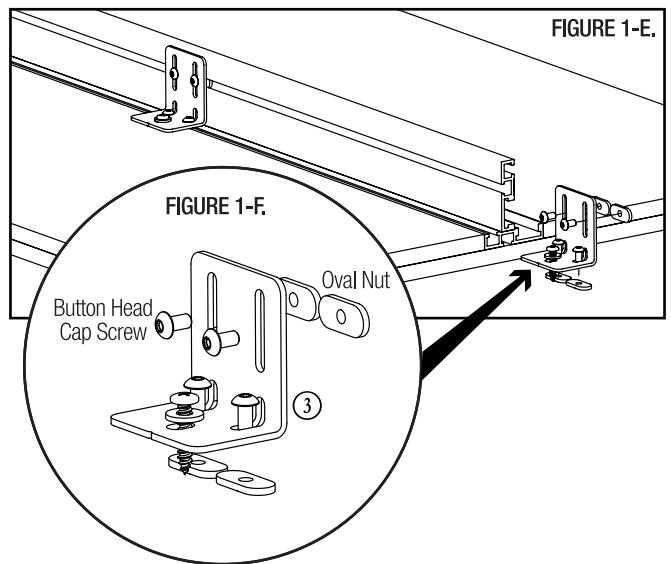


6. Pre-assemble the Mounting Brackets using (4) Button Head Cap Screws and (4) Oval Nuts in each Mounting Bracket ③. **FIGURE 1-F.**

7. The other Combo Track will be your vertical fence. Install the Mounting Brackets in this fence, being mindful of installing the Mounting Bracket (for Hex Key) ③B in the desired position on the track as well. **(See section II. Assembling the Hex Key Holder on page 5 for details on assembling.)** Space the Mounting Brackets out roughly equal. **FIGURE 1-E.**

8. Install the vertical Combo Track onto the embedded Combo Track by sliding the Oval Nuts in the Mounting Bracket into the embedded Combo Track. The vertical Combo Track will sit down in the scale recess of the embedded Combo Track.

9. Tighten all of the Button Head Cap Screws in the Mounting Brackets, using the Hex Key Screwdriver ④, ensuring the vertical Combo Track is all the way down and is aligned parallel to the miter saw fence.



The Combination installation is complete.
Proceed to Section III. Extended Length Setups on page 5.

→ OPTION 2: VERTICAL FENCE INSTALLATION

The Vertical Fence setup looks like a traditional fence extension for your miter saw, and is the easiest to install.

FIGURES 2-A & 2-B.

AT THIS POINT YOU WILL NEED:

- ① 4' Combo Track (1)
- ③ Mounting Bracket (4)
- **HARDWARE BAG A**
- Washer, #10 (4)
- Wood Screw, #10 x 1" (4)
- Button Head Cap Screw, #10-32 x 3/8" (8)
- Oval Nut, #10-32 (8)

HARDWARE BAG B

- ④ Hex Key, 1/8" Screwdriver Handled

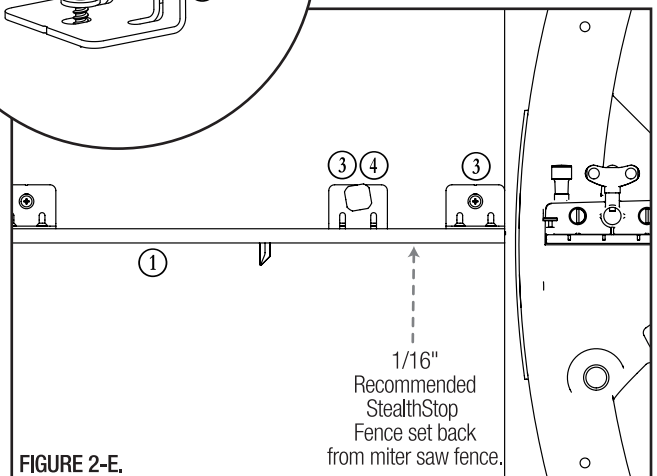
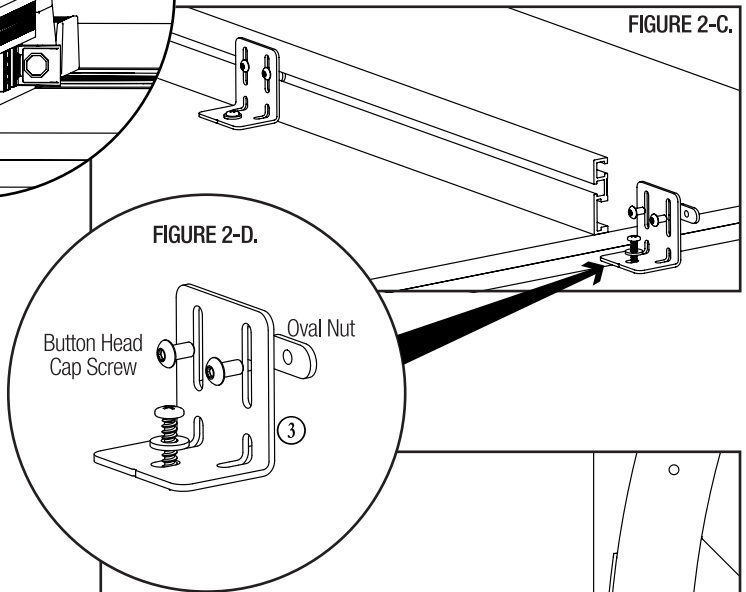
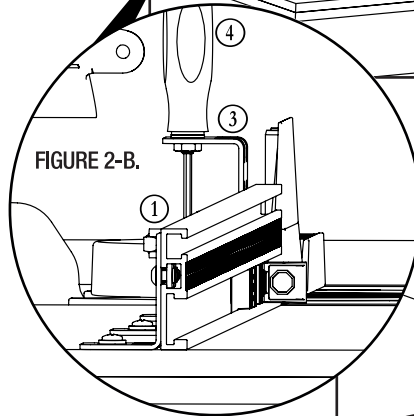
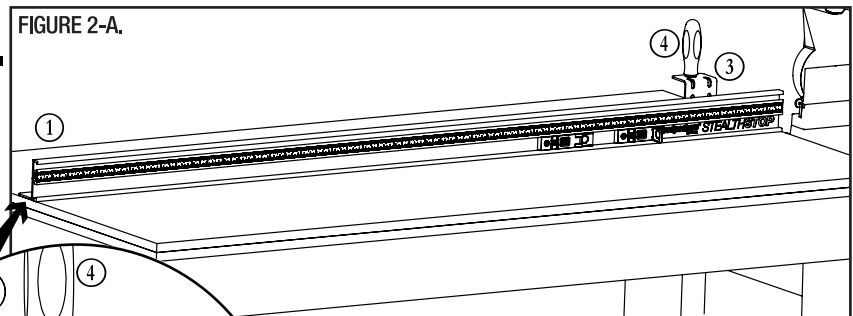
1. Pre-assemble the Mounting Brackets using (2) Button Head Cap Screws and (2) Oval Nuts in each Mounting Bracket ③. **FIGURE 2-D.**

2. Slide the assembled Mounting Brackets into the slot on the back side of the Combo Track ①, being mindful of installing the Mounting Bracket (for Hex Key) ③B in the desired position on the track as well. **(See section II. Assembling the Hex Key Holder on page 5 for details on assembling.)** Space the Mounting Brackets out roughly equal. **FIGURE 2-C.**

3. Locate the StealthStop Combo Track relative to your miter saw fence. There should be at least 1/4" between the end of the Combo Track and the miter saw fence. The Combo Track should be set back approximately 1/16". **FIGURE 2-E.**

4. Secure the Mounting Brackets to your bench using the Wood Screws with a Washer through the central slot. **FIGURE 2-D.** Fine tuning of the Combo Track setback and alignment to the miter saw fence can be done while tightening these Wood Screws.

The Vertical Fence installation is complete.
Proceed to Section III. Extended Length Setups on page 5.



→ OPTION 3: FLUSH MOUNT INSTALLATION

The Flush Mount setup for the StealthStop is the lowest profile way to install the StealthStop and leaves your work surface free and clear of any obstructions while still allowing for use of a StealthStop Flip Stop. **FIGURES 3-A & 3-B.**

AT THIS POINT YOU WILL NEED:

- ① 4' Combo Track (1 of 2)

*NOT INCLUDED THAT YOU WILL NEED:

- ✓ (4 to 6) 1/4-20 Hex Head Bolts, long enough to pass through the table top and allow for a washer
- ✓ (4 to 6) 1/4-20 Washers
- ✓ (4 to 6) 1/4-20 Lock Nuts

1. Begin by laying out where your StealthStop Combo Track will be embedded, relative to your miter saw fence. A groove set back approximately 3/4" from your miter saw fence will allow a workpiece to overlap the scale, while also allowing thin parts to intersect the stop. **FIGURE 3-C.**

NOTE: If you think you may want to add a vertical fence to your flush mount setup, follow the groove setback recommendations from the **OPTION 1. Combination Setup Installation** section on pages 2-3.

2. The embedded Combo Track can either be installed in a routed groove (2-7/32" wide x 1/2" deep), or in a table top (made from laminating 1/2" thick plywood to create the groove). **FIGURE 3-D.**

3. Drill at least (4) 5/16" diameter holes, approximately 7/8" from the back of groove thru your bench top. These holes are for the 1/4-20 Hex Head Bolts* to secure the embedded Combo Track in your bench.

4. Insert Hex Head Bolts* thru the holes from the top of the bench, and then start a Washer* and Lock Nut* on the bottom side of the bench. **FIGURES 3-E & 3-F.**

5. Slide the Combo Track into the groove, lifting and aligning the Hex Head Bolts* as you go. Lightly tighten the Lock Nuts* from below the bench.

6. The Mounting Bracket (for Hex Key) ③B (See Section II. Assembling the Hex Key Holder on page 5 for details on assembling.) can be installed to fit your specific miter saw setup. If your setup is against a wall, it can be mounted to the wall with the unused Wood Screws and Washers.

Or if your miter saw setup uses a dropped deck for the saw, it can be mounted to the side of the benches adjacent to that.

The Flush Mount installation is complete.
Proceed to Section III. Extended Length Setups on page 5.

FIGURE 3-A.

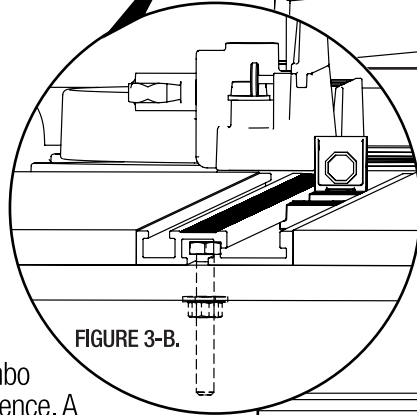
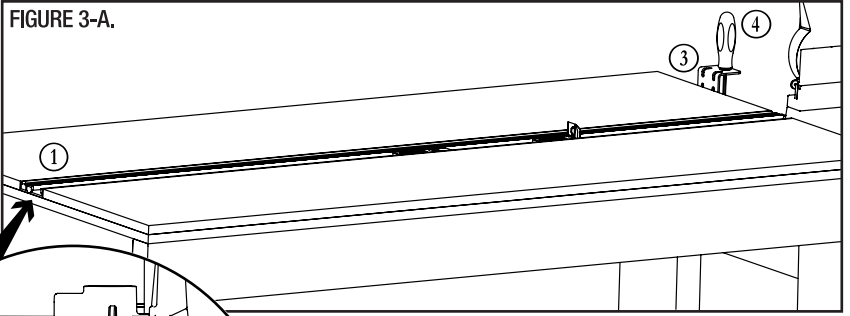


FIGURE 3-B.

3/4"
Recommended -
groove set back
from miter saw fence.

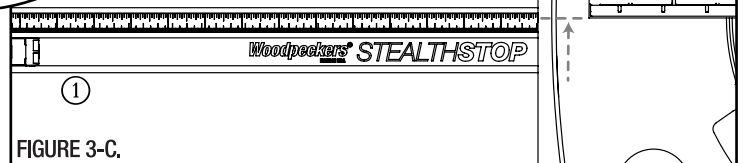


FIGURE 3-C.

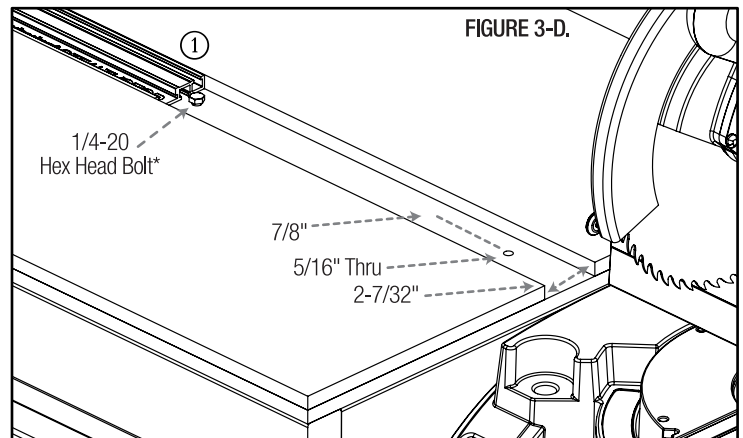


FIGURE 3-D.

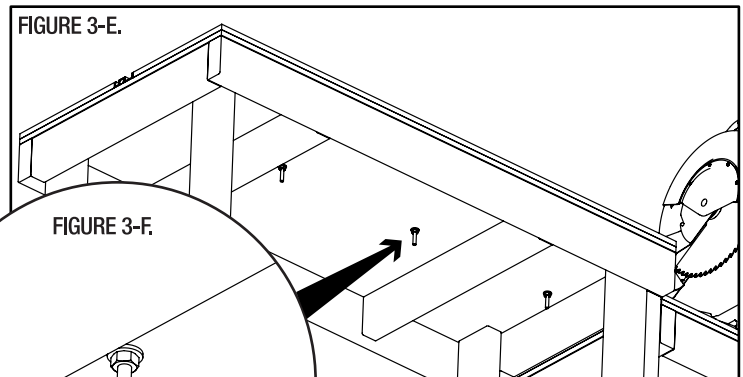


FIGURE 3-E.

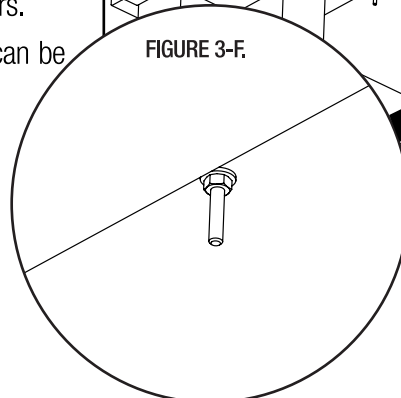


FIGURE 3-F.

II. ASSEMBLING THE HEX SCREWDRIVER HOLDER

The Mounting Bracket (for Hex Key) ③B provides a convenient home for the Hex Key ④ that locks the StealthStops into position. For Option 1. Combination and Option 2. Vertical Fence setups, it mounts to the rear of the track, in the same slot as the Mounting Brackets. **FIGURE 4.**

AT THIS POINT YOU WILL NEED:

• HARDWARE BAG A

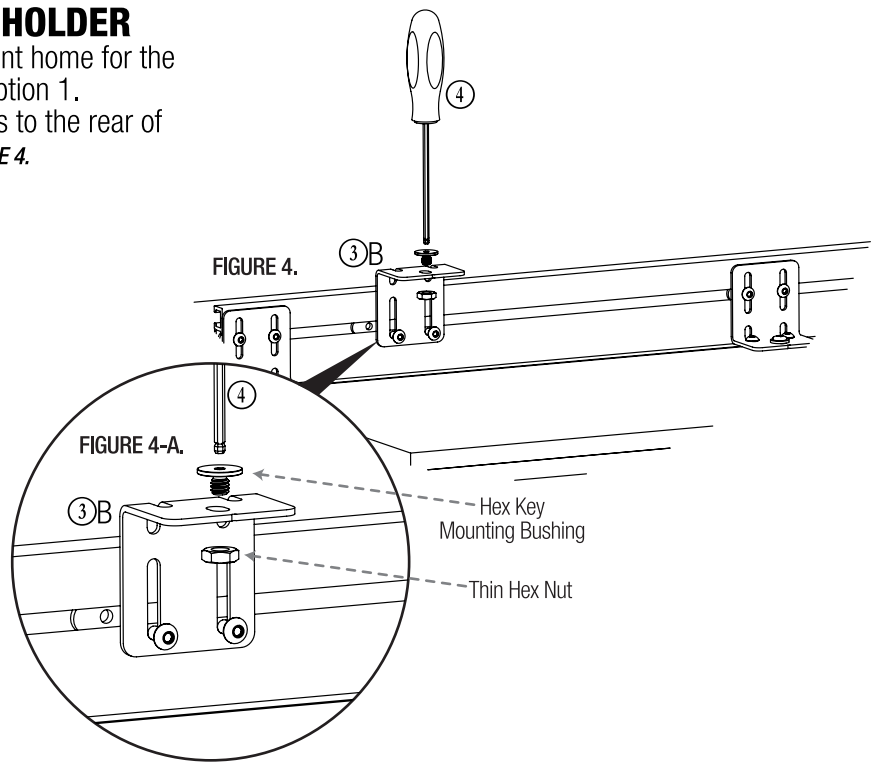
- Button Head Cap Screw, #10-32 x 3/8" (2)
- Oval Nut, #10-32 (2)
- Hex Key Mounting Bushing, 1/8" (1)
- Thin Hex Nut, 1/4-20

HARDWARE BAG B

- ④ Hex Key, 1/8" Screwdriver Handled
- ③ Mounting Bracket (for Hex Key)

1. Insert the Oval Nuts into the Combo Track. Line up the Mounting Bracket (for Hex Key) ③B and secure with the (2) Button Head Cap Screws. **FIGURE 4-A.**

2. Install the Hex Key Mounting Bushing into the hole on the top of the Mounting Bracket, secure using the Thin Hex Nut from underneath.



III. EXTENDED LENGTH SETUPS

AT THIS POINT YOU WILL NEED:

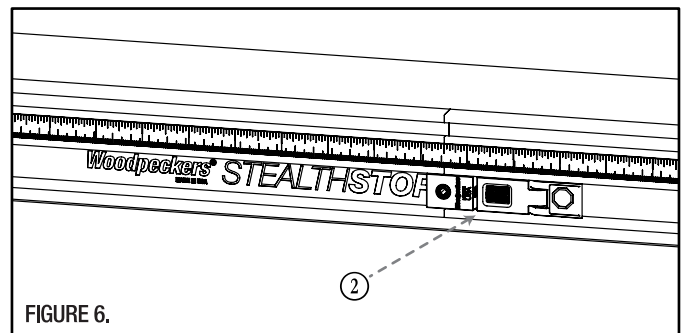
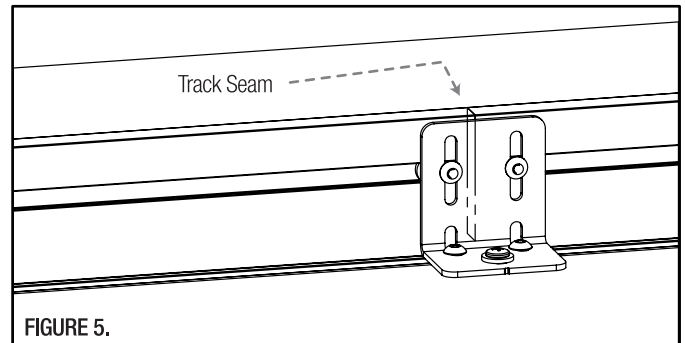
- ② StealthStop Flip Stop, Micro-Adjustable

1. The StealthStop system can be extended to up to virtually any desired length by purchasing additional Woodpecker's Combo Track (CT48 & CT32).

2. To extend the Combination and the Flush Mount setups, simply route/create the groove to the full desired length, and add more 5/16" thru holes and 1/4-20 Hex Head Bolts (*not included*) to secure the additional length of track into the groove.

3. To extend the vertical portion of the Combination or Vertical Fence setups, purchase additional Bracket Kits (SSMTGX4) and Combo Track (*not included*), and then join the ends by using a Mounting Bracket spanning the seam between the two Combo Tracks. **FIGURE 5.**

The seam can be forced into alignment by placing a StealthStop Flip Stop ② right over the seam, and tightening the locking foot prior to spanning the seam with a Mounting Bracket. **FIGURE 6.**



IV. INSTALLING THE SCALE TAPE

The StealthStop kits come with either Combination Metric & Inch Scale Tape ⑤, A. Left-to-Right Scale 12'/3m -or- B. Right-to-Left Scale 12'/3m.

NOTE: Metric only and Inch only Scale Tape in either reading direction are also available separately on our website.

AT THIS POINT YOU WILL NEED:

⑤ Combination Metric & Inch Scale Tape

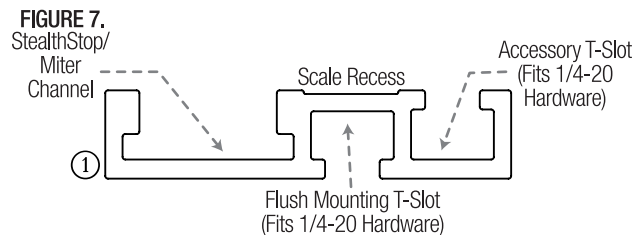
A. Left-to-Right Scale 12'/3m

B. Right-to-Left Scale 12'/3m

1. Measure the distance from the edge of your miter saw blade to the end of the StealthStop Combo Track.
2. Cut the Scale Tape at a dimension slightly longer than the measured distance.
3. Start peeling the backing on the Scale Tape exposing the adhesive. Align the cut edge of the Scale Tape to the edge of the Combo Track. Continue peeling off the backing as you lay down the Scale Tape into the scale recess of the Combo Track.

FIGURE 7.

4. Cut any excess Scale Tape that is off the Combo Track.



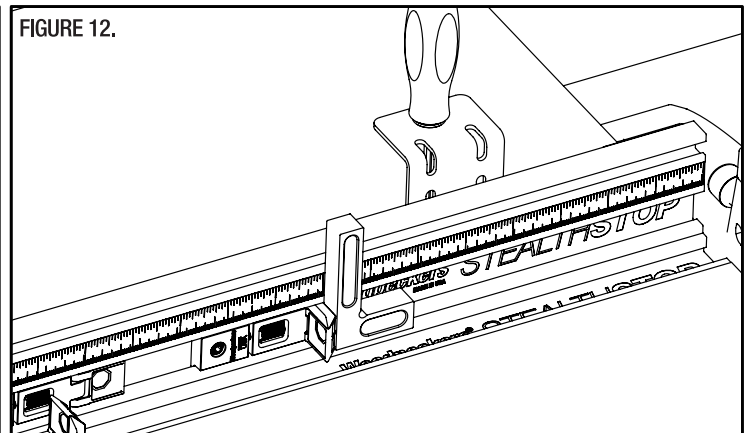
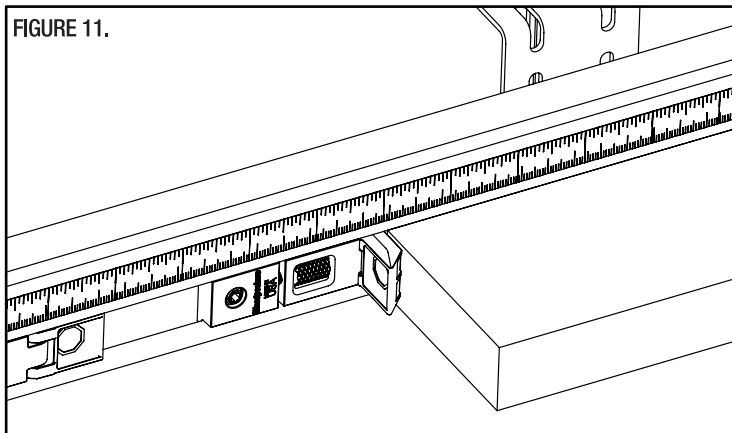
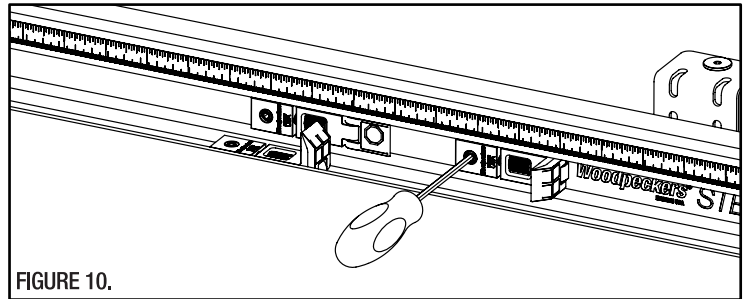
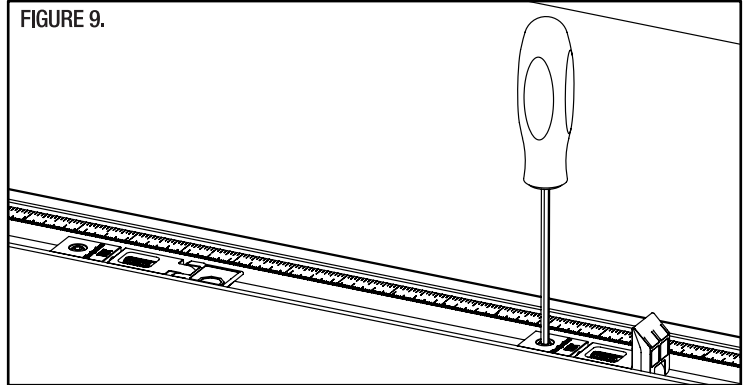
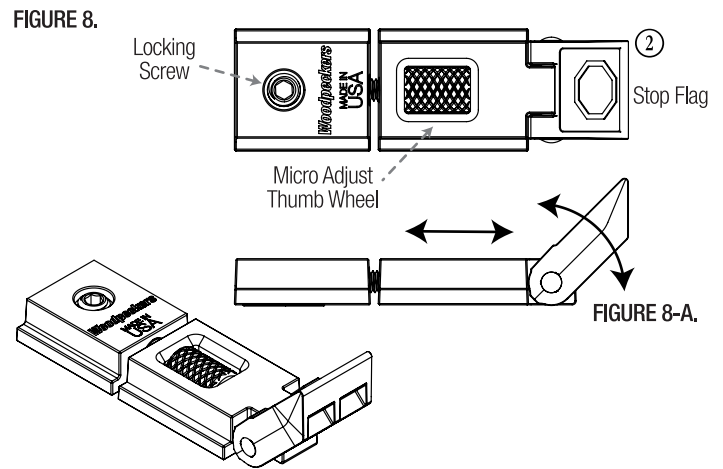
V. CALIBRATING THE SCALE

To calibrate the Scale, use a known good length reference (such as a Woodpecker's 24" Woodworking Rule, or a piece of wood cut to an exact length).

1. Lock a StealthStop Flip Stop close to the dimension of your reference, but a little bit longer, then loosen the bolts securing the Combo Track horizontally.
2. Bump your length reference up against the teeth of your miter saw blade, and then clamp down.
3. Use the Micro-Adjust Thumb Wheel on the StealthStop Flip Stop to push the Combo Track into position so that the Scale reads the correct dimension off of the length reference.
4. Re-tighten the bolts securing the Combo Track horizontally. The Scale is now calibrated.
5. If necessary, install the Wood Screws with a Washer to further secure the setup.

VI. USING THE STEALTHSTOP FLIP STOPS

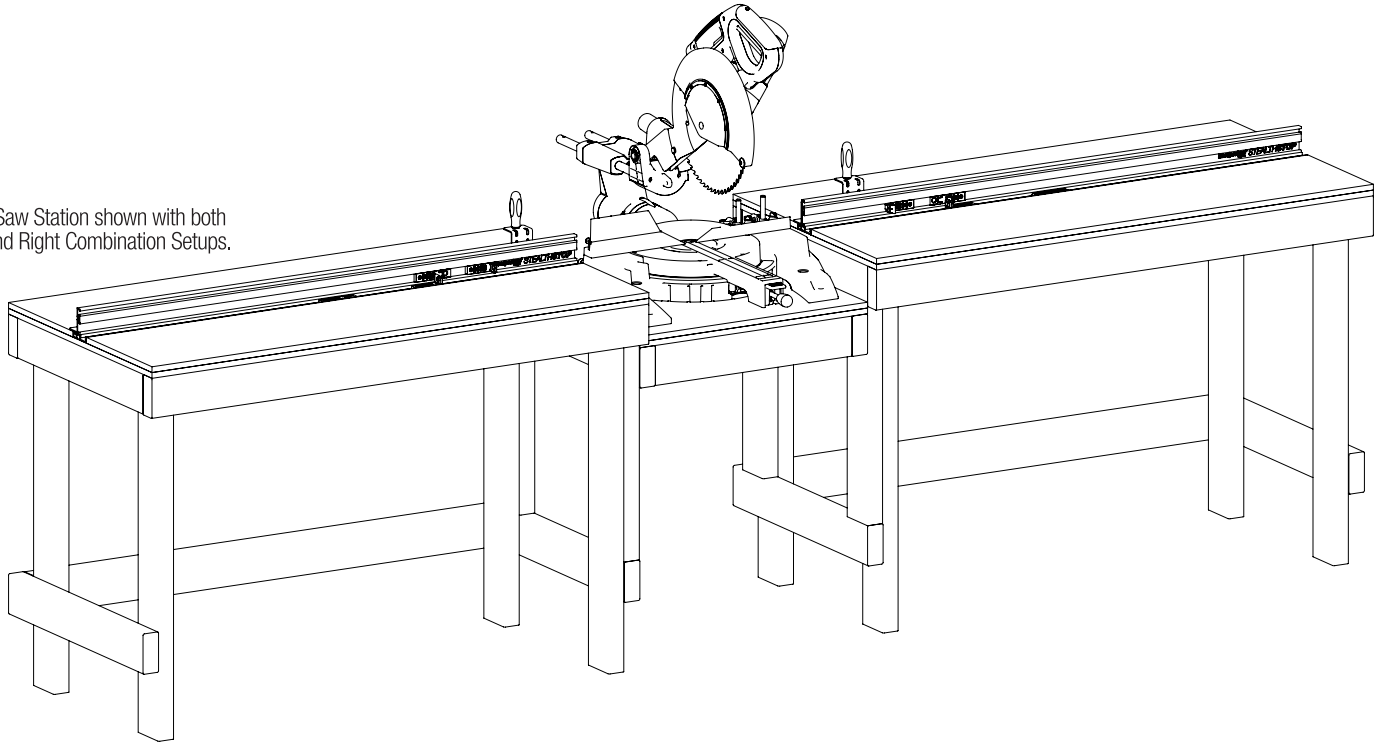
- The StealthStop Flip Stop ② is tool-free for raising/lowering the flag, and for micro-adjusting position. It does require the Hex Key to lock the stop in place. When lowered, the Flip Stop is fully below the surface of the Combo Track and out of the way. **FIGURE 8.**
- To lock/unlock the Flip Stop, use the Hex Key in the exposed hex of the locking screw. **FIGURES 9 & 10.**
- To move the Flip Stop around quickly, use the Hex Key to loosen the lock, and then move the stop with the Hex Key still installed.
- To micro-adjust the position of the Flip Stop, spin the knurled brass thumb wheel to move the flag forward or backward.
- To raise / lower the flag, simply use your finger tip to snap it up or down. **FIGURE 8-A.**
- To set the Flip Stop to a specific dimension, flip up the flag and push the workpiece against the stop, read the scale where it intersects the workpiece. If the workpiece does not intersect the scale, use a small square (such as the Woodpeckers MiniSquare, not included) to read the scale. **FIGURES 11 & 12.**



VII. OTHER STEALTHSTOP IDEAS

- StealthStop kits will readily adapt to be used on cut-off saws and radial arm saws.
- The StealthStop Flip Stop will fit in a standard miter t-slot, which might be found on table saws, router tables, band saw tables or drill press tables.
- The StealthStop Combo Track can also be used when making custom tables and fences for a variety of applications (such as crosscut sleds, drill press tables & fences, etc).
- Holes can be drilled into the existing fence of a miter saw, and 1/4-20 hex head bolts used to mount the StealthStop Combo Track almost all the way up to the blade. When doing it this way, miter saws on mobile bases can be accommodated.

Miter Saw Station shown with both Left and Right Combination Setups.



Woodpeckers® | Woodpeckers, LLC Strongsville, Ohio
woodpeck.com

© 2022 Woodpeckers, LLC



woodpeck.com

At Woodpeckers we are constantly reviewing & improving our tools. The most current version of our instruction manuals are always available to download/print at woodpeck.com via the tool's page.

(Located in the bottom section of the tool page under the "Additional Information" or "Instructions" tabs.)



Be the first to know all the new products & sales by subscribing to our eClub.

(Located at the top center of our webpage woodpeck.com.)



Subscribe to our YouTube channel to stay up-to-date on all the latest tool tips & tricks.



Interact with us! Follow us on Facebook & Instagram!



WARNING!

This product can expose you to chemicals, including chromium, which is known to the State of California to cause cancer and birth defects or other reproductive harm.

For more information go to www.P65Warnings.ca.gov