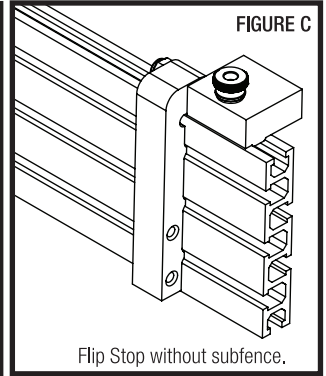
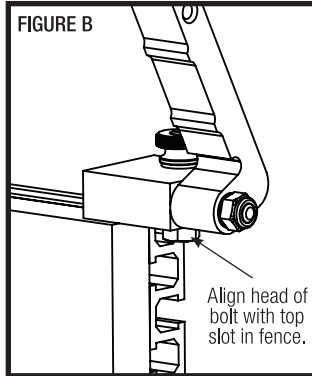
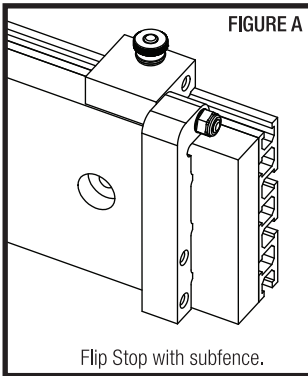


# Woodpeckers®

## SUPER TRACK FLIP STOP

O W N E R ' S M A N U A L



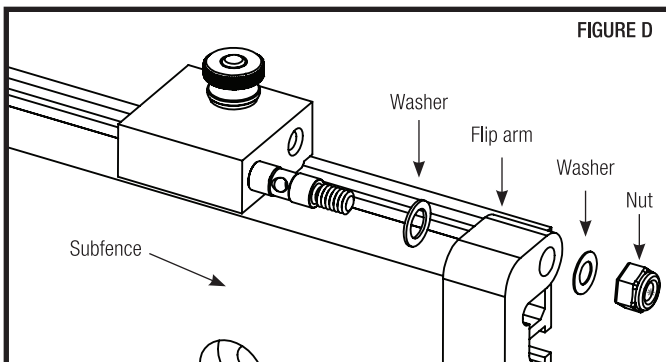
The Super Track Flip Stop is designed to be used with Woodpeckers Super Track (all applications) or Super Fence (for router tables). Each of these applications require the Flip Stop to be configured differently.

The Flip Stop comes pre-configured for the Super Fence assuming a 3/4" wood subfence is attached to the front face. **FIGURE A.**

In this case, simply align the head of the hex bolt with the top slot, slide into position and tighten the knob. **FIGURE B.** Notice that in this case the arm is attached to the right side of the base.

If you wish to use the Flip Stop with just track and no subfence, reconfigure the stop using the following procedure. **FIGURE C.**

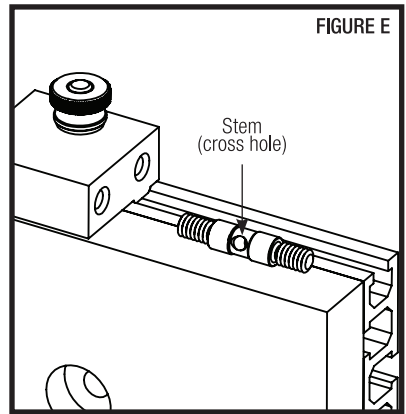
**NOTE:** The following steps show the Flip Stop attached to the track or fence. This is helpful but not necessary. It can be hand held during reconfiguration.



1. Use a 7/16" wrench to remove the nut holding the flip arm to the body. Then remove the first nylon washer, the flip arm and the second nylon washer. **FIGURE D.**

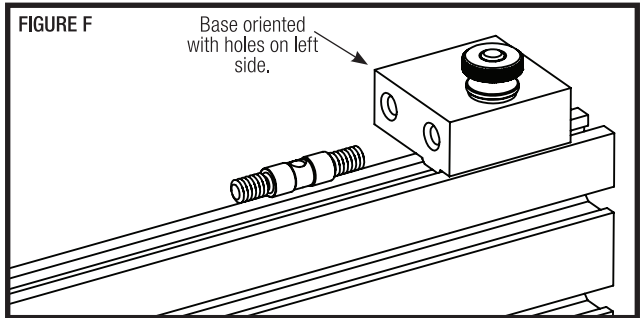
2. Use a small object like a nail, drill bit or hex key inserted through the cross hole to unscrew the stem from the body. **DO NOT USE PLIERS.**

**FIGURE E.**



3. Orient the base so that when it's attached to the top slot of the Super Track the holes will be on the left side. Thread the stem into the front most hole and tighten it firmly using the same small object as earlier, nail, drill bit or hex key by using the cross hole.

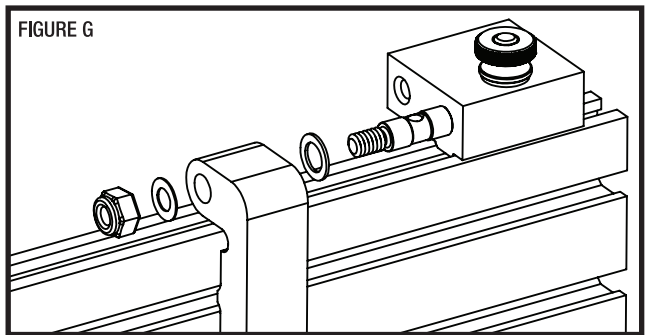
**FIGURE F.**



4. Slip on the large diameter nylon washer followed by the flip arm the remaining nylon washer and finally the lock nut. Tighten the nut until there is a little resistance to the pivot motion of the flip arm.

When adjusted properly, the arm should stay at whatever angle it is set but still be free to move.

**FIGURE G.**



# Woodpeckers®

PRECISION WOODWORKING TOOLS

Woodpeckers, LLC Strongsville, Ohio · [woodpeck.com](http://woodpeck.com)

© 2019 Woodpeckers, LLC

**WARNING!** This product can expose you to chemicals, including chromium, which is known to the State of California to cause cancer and birth defects or other reproductive harm. For more information go to [www.P65Warnings.ca.gov](http://www.P65Warnings.ca.gov)

REV020614

If you think you're missing anything, email us at [mailroom@woodpeck.com](mailto:mailroom@woodpeck.com).  
You can also call us at 800-752-0725 from 9:00 a.m. to 5:00 p.m. EST Monday - Friday.