

# Woodpeckers®

## TABLE APRON CLAMPING SQUARE RACK-IT™

### O W N E R ' S M A N U A L

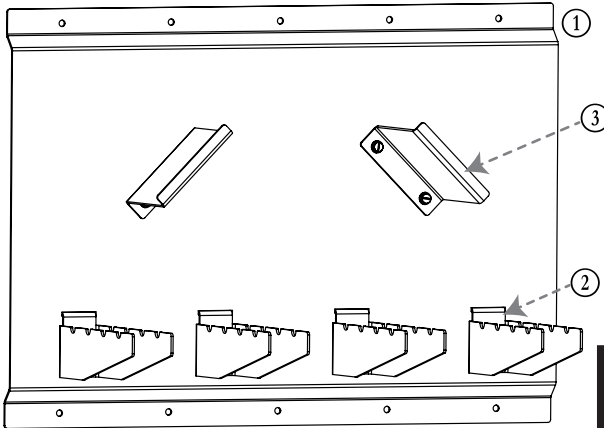


DIAGRAM NUMBER	(QTY)	PART NAME
①	1	Main Mounting Bracket
②	4	CSP Clamp Rack
③	2	Table Apron Square Rack
--	8	Thread-Forming Hex Head with Slot Screw 10-32 x 3/8"
--	10	Wood Screw #8-1"



Scan the QR code above  
to watch the video  
or visit [woodpeck.com](http://woodpeck.com)  
under the video tab  
towards the bottom of  
the product page.

If you think you're missing anything, email us at [mailroom@woodpeck.com](mailto:mailroom@woodpeck.com).

You can also call us at 800-752-0725 from 9:00 a.m. to 5:00 p.m. EST Monday - Friday.

**NOTE:** In some cases, it may be beneficial to mount the Main Mounting Bracket to the wall prior to attaching the additional components.

### I. ATTACHING THE TABLE APRON SQUARE RACK

1. Line up the holes on the Table Apron Square Rack ③ with the hole pattern on the Main Mounting Bracket ①.
2. Start one Thread-Forming Hex Head Screw through the Table Apron Square Rack and the Main Mounting Bracket, but do not tighten. Then start the other Thread-Forming Hex Head Screw in the remaining hole.
3. Once both Thread-Forming Hex Head Screws are started, tighten them.
4. Repeat for the other Table Apron Square Rack.

## II. ATTACHING THE CSP CLAMP HOLDERS

1. Insert the tab on the CSP Clamp Rack ② into the slot on the Main Mounting Bracket. Then line up the hole and insert a Thread-Forming Hex Head Screw.
2. With the CSP Clamp Rack in place, tighten the Thread-Forming Hex Head Screw.
3. Repeat for the other three CSP Clamp Racks.

## III. MOUNTING THE RACK-IT

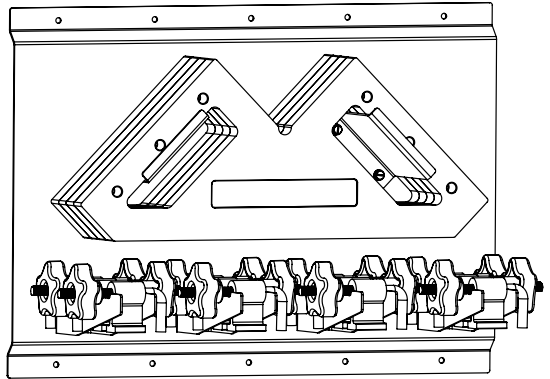
1. Locate studs or a wood wall and place the assembled Table Apron Square Rack-It up to it.
2. Pre-drill a 7/64" pilot hole for the center top hole on the the Main Mounting Bracket where you want the Table Apron Square Rack-It mounted.
4. Drive the Wood Screw through the Main Mounting Bracket and into the initial pilot hole.
5. Level the Table Apron Square Rack-It and hold it in place to mark the remaining hole locations.

**NOTE:** If mounting on a stud, use the center top and center bottom holes. If mounting on a wood wall, use all top and bottom holes.

6. Remove initial Wood Screw and Table Apron Square Rack-It and pre-drill all remaining pilot holes.

7. Align the Table Apron Square Rack-It top and bottom holes with all pilot holes. Drive the Wood Screws partially into the pilot holes. Then tighten all the Wood Screws.

8. The Rack-It is now ready to store your CSP Clamps and Table Apron Clamping Squares (*Sold separately*).



# Woodpeckers®

Woodpeckers, LLC Strongsville, Ohio

[woodpeck.com](http://woodpeck.com)

© 2021 Woodpeckers, LLC



[woodpeck.com](http://woodpeck.com)

**At Woodpeckers we are constantly reviewing & improving our tools. The most current version of our instruction manuals are always available to download/print at [woodpeck.com](http://woodpeck.com) via the tool's page.**  
(Located in the bottom section of the tool page under the "Additional Information" or "Instructions" tabs.)



**Be the first to know all the new products & sales by subscribing to our eClub.**  
(Located at the top center of our webpage [woodpeck.com](http://woodpeck.com).)



**Subscribe to our YouTube channel to stay up-to-date on all the latest tool tips & tricks.**



**Interact with us! Follow us on Facebook & Instagram!**



**WARNING!** This product can expose you to chemicals, including chromium, which is known to the State of California to cause cancer and birth defects or other reproductive harm. For more information go to [www.P65Warnings.ca.gov](http://www.P65Warnings.ca.gov)