

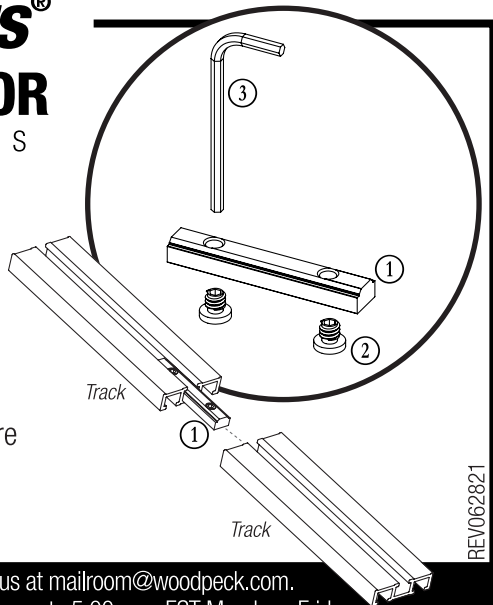
Woodpeckers[®]

TRACK CONNECTOR

I N S T R U C T I O N S

Install the 1/4"-20 Clamping Screws ② into the flat bottom of the Track Connector ①. Reach through the clearance hole with the 1/8" Hex Key ③ to thread.

To join tracks, center the Track Connector ① between two tracks, be sure the ends meet flush and secure the Clamping Screws with the Hex Key.



REV062821

If you think you're missing anything, email us at mailroom@woodpeck.com.
You can also call us at 800-752-0725 from 9:00 a.m. to 5:00 p.m. EST Monday - Friday.



WARNING! This product can expose you to chemicals, including chromium, which is known to the State of California to cause cancer and birth defects or other reproductive harm. For more information go to www.P65Warnings.ca.gov

Woodpeckers, LLC Strongsville, Ohio

woodpeck.com

© 2021 Woodpeckers, LLC