

Woodpeckers®

UNDERMOUNT DRAWER BASE

OWNER'S MANUAL

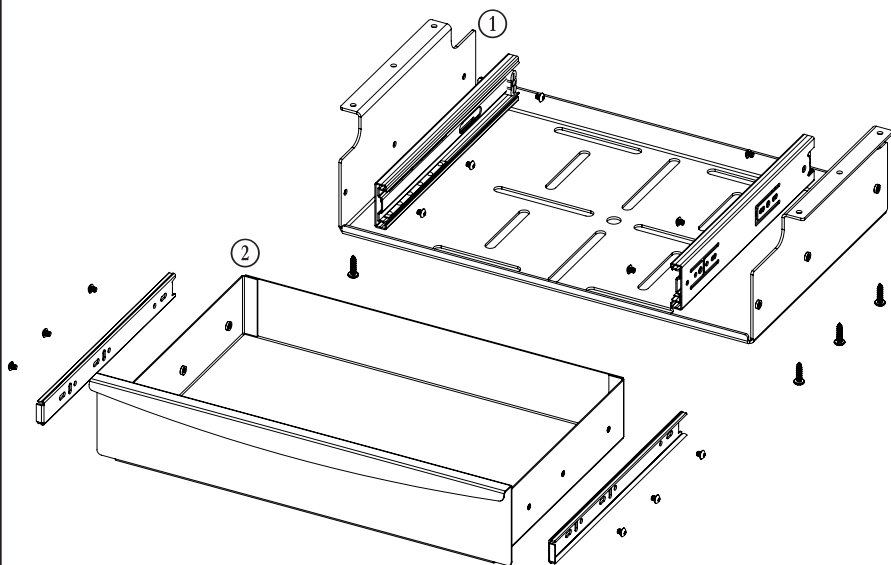


DIAGRAM	(QTY)	PART NAME
①	(1)	Drawer Base
②	(1)	Drawer

HARDWARE BAG C

C-1	(12)	8-32 x 3/16" Panhead Screw
C-2	(2)	Drawer Slide (includes Drawer Slide Extension)
C-3	(6)	#10 Panhead Phillips Wood Screw

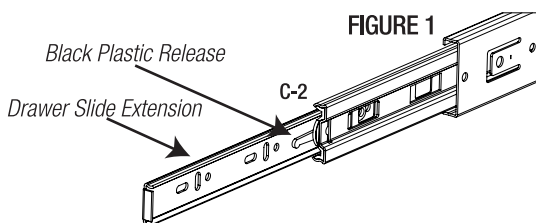
HARDWARE BAG D NOT SHOWN Drawer Base Mounting to a Drill Press

D-1	(4)	5/16-18 Large Rectangular Nut
D-2	(4)	5/16-18 x 3/4" Hex Bolt
D-3	(4)	5/16-18 x 1-1/4" Hex Bolt
D-4	(4)	5/16-18 Hex Nut
D-5	(4)	5/16 Washer
D-6	(4)	1/4-20 Rectangular Nut
D-7	(4)	1/4-20 x 3/4" Hex Bolt
D-8	(4)	#10 x 3/8" Phillips Flathead Wood Screw

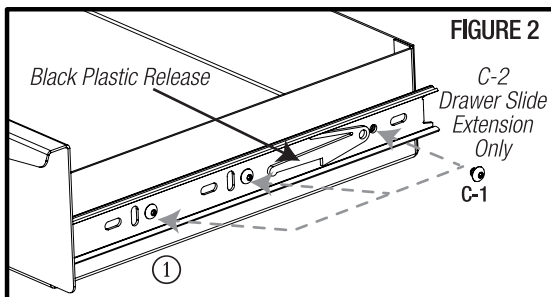
If you think you're missing anything, email us at mailroom@woodpeck.com.
You can also call us at 800-752-0725 from 9:00 a.m. to 5:00 p.m. EST Monday - Friday.

ASSEMBLY

1. Remove the Drawer Slide Extension C-2 by flexing the end of the Black Plastic Release up or down in direction and pulling away from the Drawer Slide. **Figure 1.**

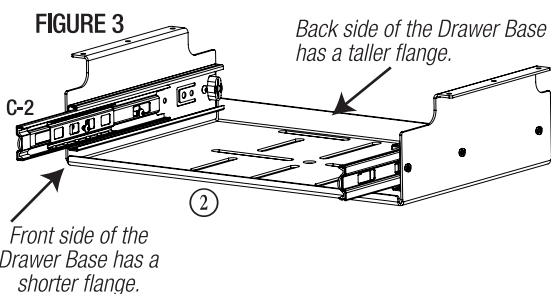


2. Using (3 Pan Head Screws C-1, attach the Drawer Slide Extension to the Drawer. **NOTE:** Use only the round holes on the Drawer Slide Extension.) **Figure 2.**



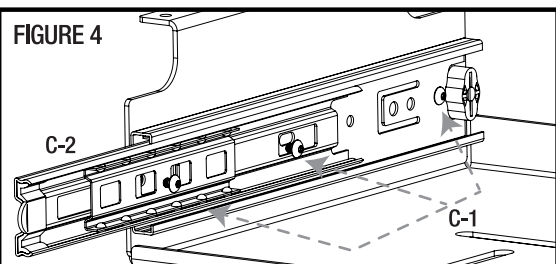
3. Repeat steps 1 & 2 for the other side of the Drawer.

4. Attach the Drawer Slide C-2 to the Drawer Base ① using the (3) Pan Head Screws C-1. The back of the Drawer Slide has a Black Bumper at the end. The Black Bumper end of the Drawer Slide should be at the back side of the Drawer Base. **NOTE:** Use only the round holes on the Drawer Slide.) **Figures 3 & 4.**



5. Repeat step 4 for the other side of the Drawer Base.

NOTE: The Drawer Base front has shorter bent rib. It may be more convenient to turn your table or workbench upside down to do the next step.



6. Locate the Drawer Base where you want it and mark the location of the 6 mounting holes with a pencil.

NOTE: The shorter bent edge is the front of the Drawer Base. **Figures 5 & 5-A.**

7. Drill the 6 holes with a 5/32" , .600" deep. *Be careful not to drill all the way through your bench top.*

8. Attach the ① Drawer Base to the underside of the table using (3) Panhead Phillips Wood Screws through each side of the Drawer Base into the Table. **NOTE:** Be certain the back of the Drawer Base is at the rear of the Table. **Figure 6.**

9. Line up the Drawer Slides on the ② Drawer with the Slides on the ① Drawer Base and slide the Drawer in.

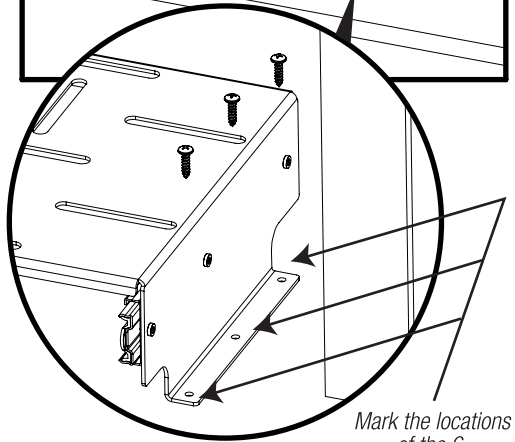
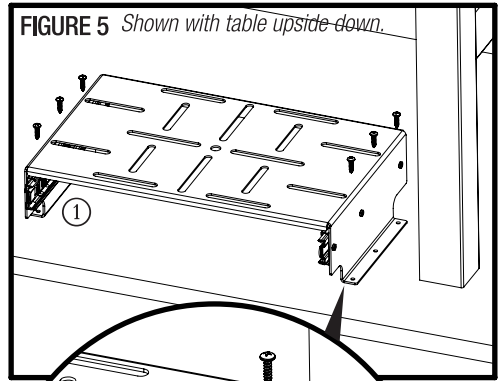


FIGURE 5-A

Mark the locations of the 6 holes (3 each side) with a pencil

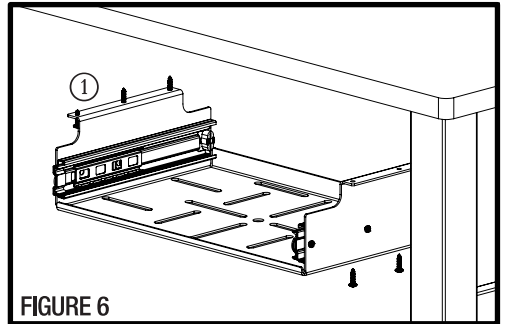


FIGURE 6

Woodpeckers®

Woodpeckers, LLC Strongsville, Ohio

woodpeck.com

© 2022 Woodpeckers, LLC



woodpeck.com

At Woodpeckers we are constantly reviewing & improving our tools. The most current version of our instruction manuals are always available to download/print at woodpeck.com via the tool's page.

(Located in the bottom section of the tool page under the "Additional Information" or "Instructions" tabs.)



Be the first to know all the new products & sales by subscribing to our eClub.

(Located at the top center of our webpage woodpeck.com.)



Subscribe to our YouTube channel to stay up-to-date on all the latest tool tips & tricks.

Subscribe to our YouTube channel to stay up-to-date on all the latest tool tips & tricks.



Interact with us! Follow us on Facebook & Instagram!



WARNING! This product can expose you to chemicals, including chromium, which is known to the State of California to cause cancer and birth defects or other reproductive harm. For more information go to www.P65Warnings.ca.gov