

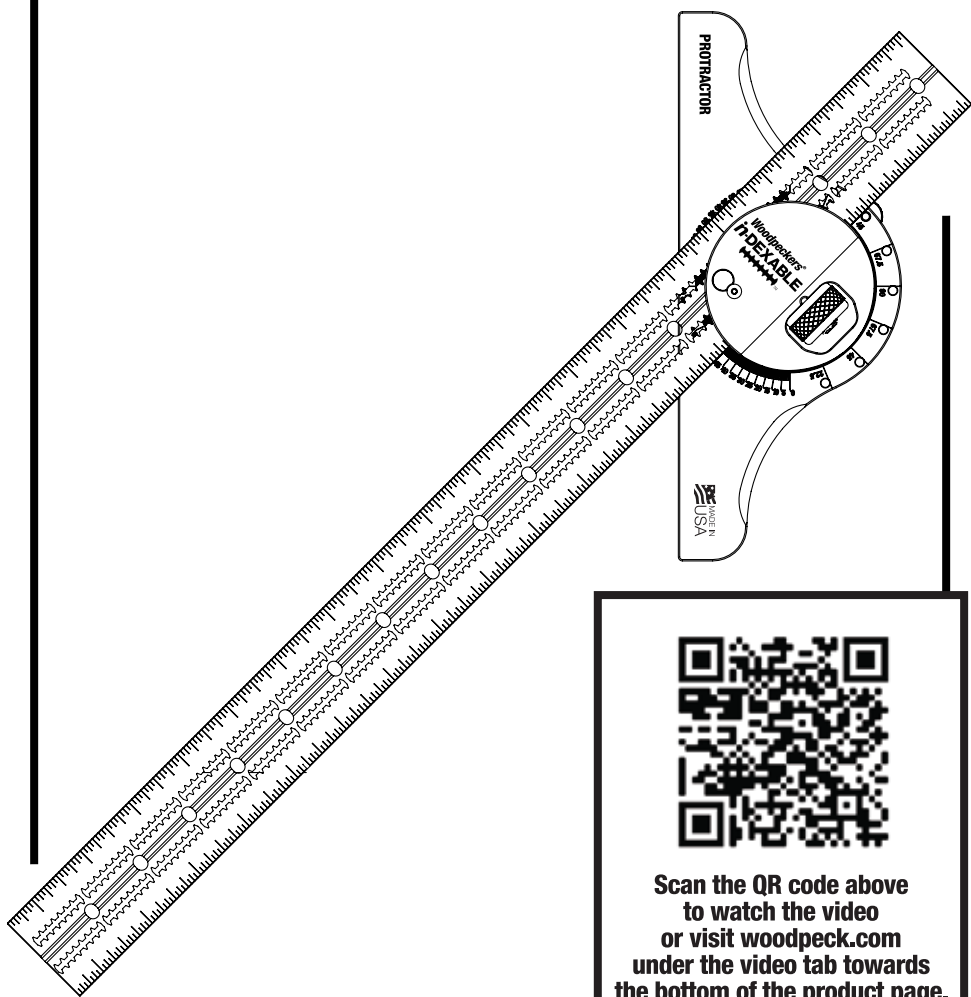
Woodpeckers®

i-DEXABLE



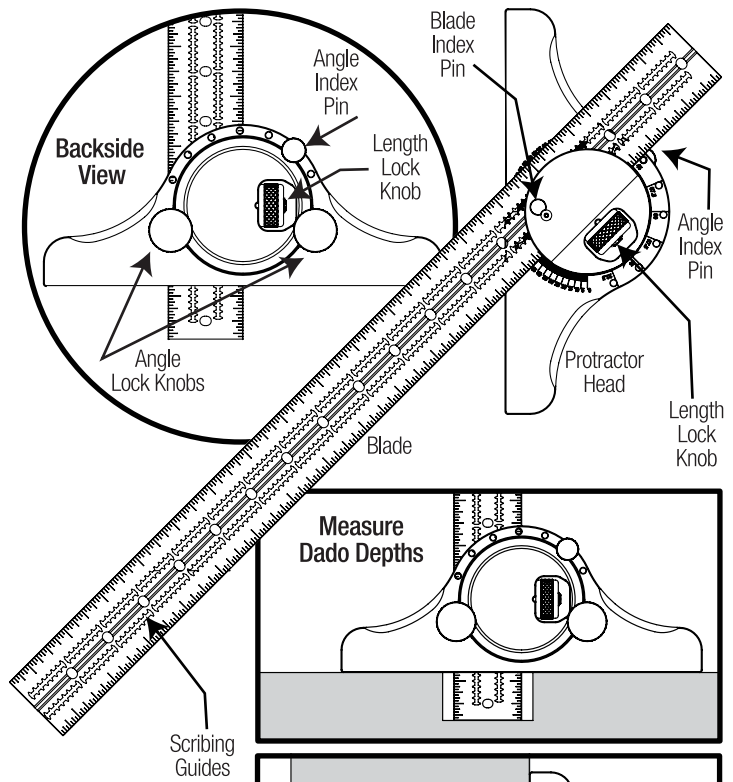
PROTRACTOR

O W N E R ' S M A N U A L



Scan the QR code above
to watch the video
or visit woodpeck.com
under the video tab towards
the bottom of the product page.

If you think you're missing anything, email us at mailroom@woodpeck.com.
You can also call us at 800-752-0725 from 9:00 a.m. to 4:00 p.m. EST Monday - Friday.

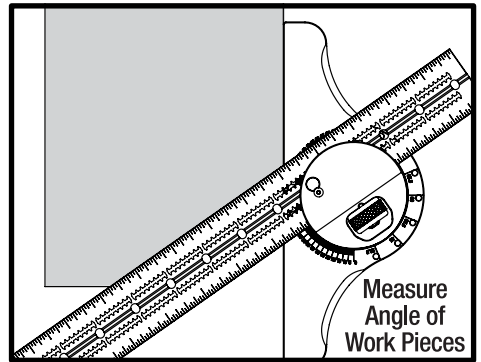


FEATURES

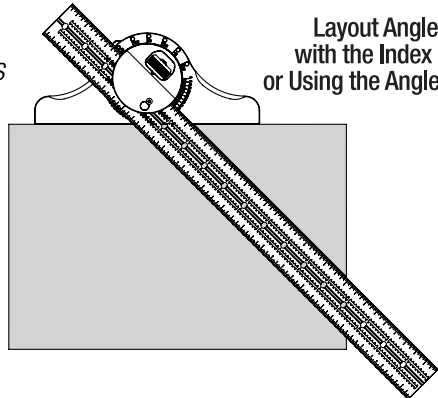
- Infinitely adjustable angle Blade, with direct reading markings every 1° .
- Indexed angle adjustment at common angles (90° , 67.5° , 45° , 22.5°) using the Angle Index Pin (on the back of the Protractor Head).
- Adjustable position of the Blade, with a detent to lock in the Blade at even inch increments (30mm increments for metric).

NOTE: The Blade Position Index only works at the 90° setting.

- Scribing Guides cut into the Blade, on $1/16$ centers. **NOTE:** The Scribing Guides are only usable when the Blade is at the 90° setting. The Scribing Guides are best used when the Blade is indexed at one of the even inch (or 30mm) positions.



Layout Angles
with the Index Pin
or Using the Angle Scale



HOW TO USE

• ADJUST THE ANGLE

1. Slightly loosen the (2) Angle Lock Knobs on the rear of the Protractor Head. (*One quarter to a half turn should be more than enough.*)

FIGURE A.

2. Rotate the Blade relative to the Protractor Head until the desired angle is achieved.

3. The angle is read directly. On the bottom arc of the Protractor Head, the right side of the Blade overlaps the set angle.

4. Re-tighten the (2) Knobs. (*Excessive torque is not required.*)

• USING THE ANGLE INDEXING PIN

1. Unthread the Angle Index Pin, and place it in the corresponding detent to your desired angle. **FIGURE B.**

2. Adjust the angle until the edge of the Blade comes into contact with the Angle Index Pin. (Follow the “Adjust the Angle” instructions to adjust the angle of the square.) **FIGURES B & C.**

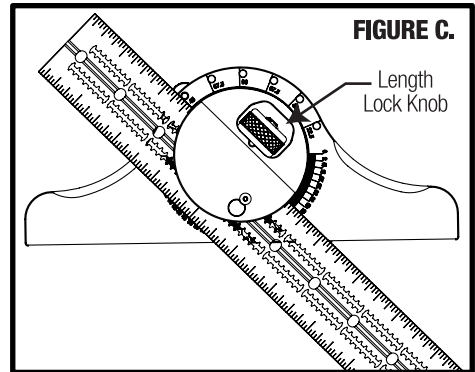
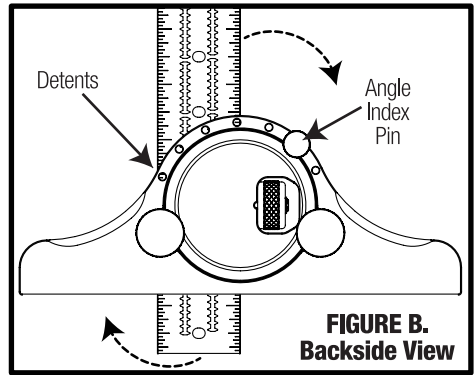
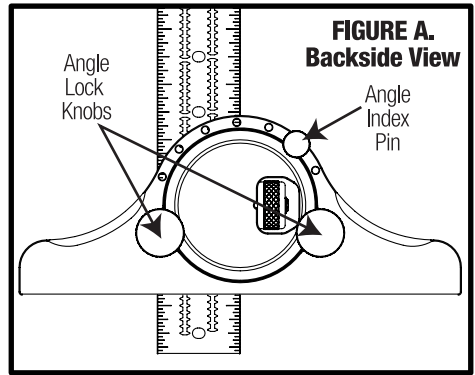
3. With light, consistent pressure against the Angle Index Pin, tighten the (2) Angle Lock Knobs to secure the angle. (*Excessive torque is not required.*)

• ADJUST THE BLADE POSITION

1. Loosen the Length Lock Knob. (*You should not have to loosen it more than one or two turns in order to get the Blade sliding freely.*)

2. Slide the Blade into the position desired.

3. Tighten the Length Lock Knob. (*Excessive torque is not required.*)



• USE THE BLADE LENGTH DETENT

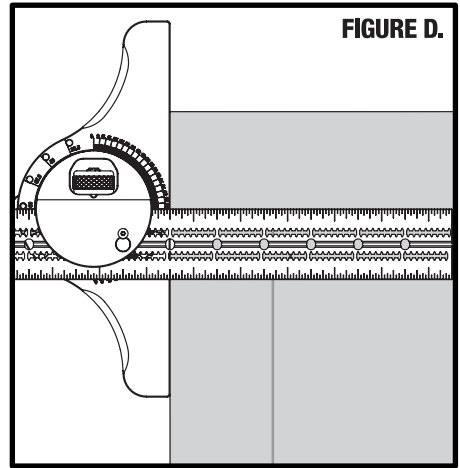
1. Loosen the Length Lock Knob. (*You should not have to loosen it more than one or two turns in order to get the Blade sliding freely.*)
2. Slide the Blade into the position desired, then depress the Blade Index Pin.
3. Slide the Blade back and forth near the desired position until the detent drops in.
4. Tighten the Length Lock Knob. (*Excessive torque is not required.*)

• TO USE THE SCRIBING GUIDES

1. Set the Blade angle to 90° and index the blade length to desired increment.

NOTE: The Scribing Guides only function correctly when the blade is set to 90°.

2. Place a marking instrument in the desired notch, then slide the head along the edge of the material while moving the marking instrument with your other hand. **FIGURE D.**



Woodpeckers®

Woodpeckers, LLC Strongsville, Ohio

woodpeck.com

© 2022 Woodpeckers, LLC



woodpeck.com

At Woodpeckers we are constantly reviewing & improving our tools. The most current version of our instruction manuals are always available to download at woodpeck.com.

(Located in the bottom section of the tool's page under the "Additional Information" or "Instructions" tabs.)



Be the first to know all the new products, OneTIME Tools & sales by subscribing to our eClub. (Located at the top center of our webpage woodpeck.com.)



Subscribe to our YouTube channel to stay up-to-date on all the latest tool tips & tricks.



INTERACT WITH US! Follow us on Facebook, Instagram & TikTok!



Enjoy shop tips, project ideas, tool techniques & more in our Woodworking Resource Center/Blog. (Located at the bottom center of our webpage woodpeck.com.)



WARNING! This product can expose you to chemicals, including chromium, which is known to the State of California to cause cancer and birth defects or other reproductive harm. For more information go to www.P65Warnings.ca.gov