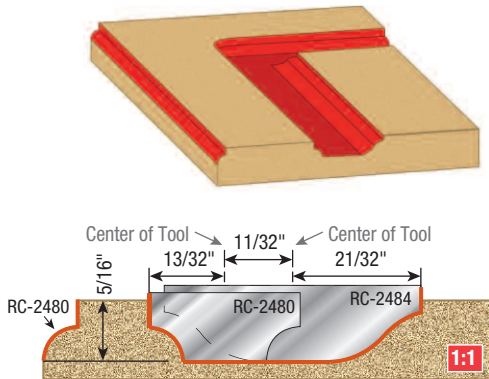
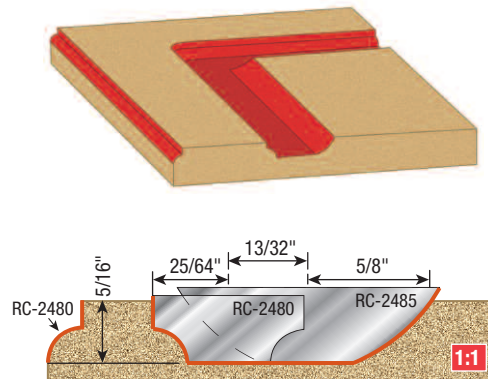


RAISED PANEL COMBINATION CHART

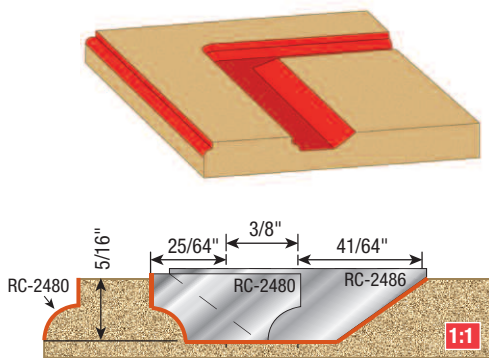
Select two router bits to achieve your desired style



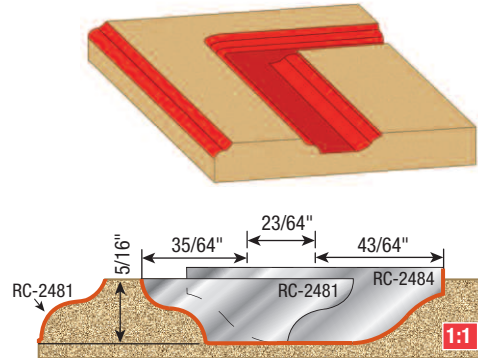
To achieve the above cut, purchase:
#RCK-480 and #RCK-484



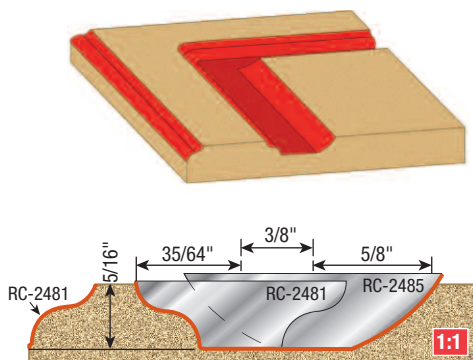
To achieve the above cut, purchase:
#RCK-480 and #RCK-485



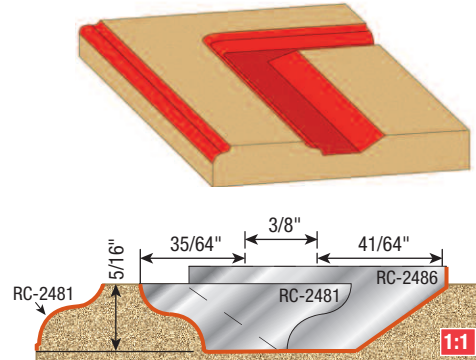
To achieve the above cut, purchase:
#RCK-480 and #RCK-486



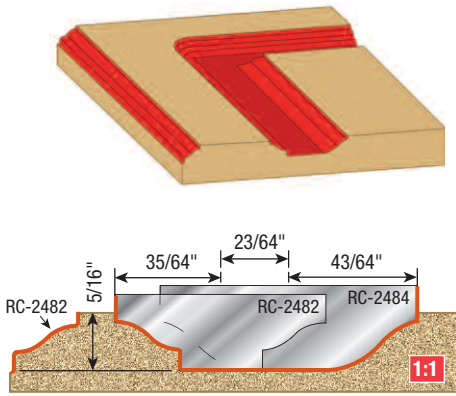
To achieve the above cut, purchase:
#RCK-481 and #RCK-484



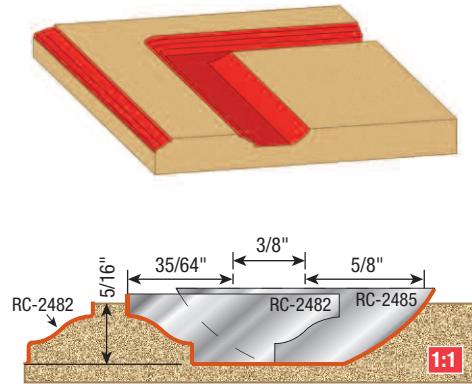
To achieve the above cut, purchase:
#RCK-481 and #RCK-485



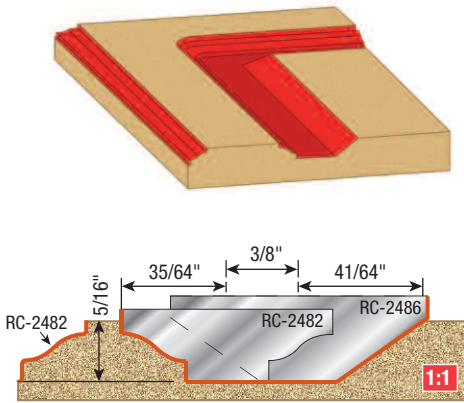
To achieve the above cut, purchase:
#RCK-481 and #RCK-486



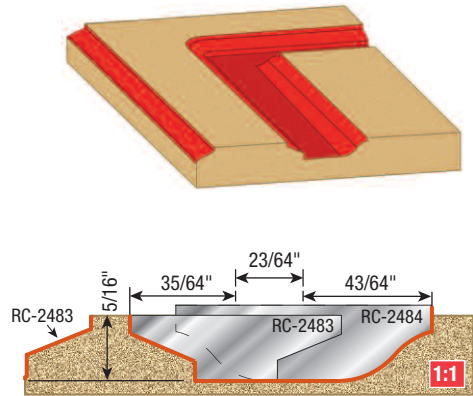
To achieve the above cut, purchase:
#RCK-482 and #RCK-484



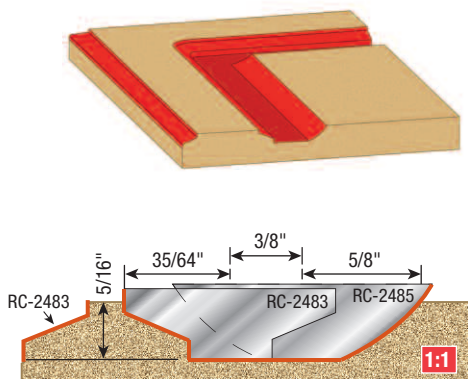
To achieve the above cut, purchase:
#RCK-482 and #RCK-485



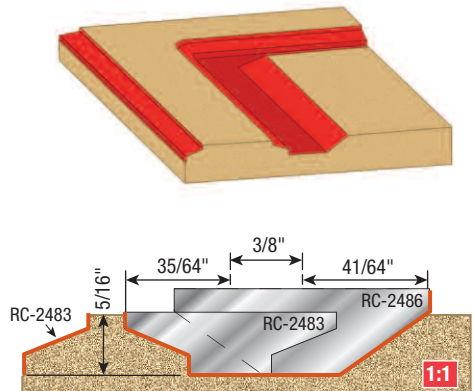
To achieve the above cut, purchase:
#RCK-482 and #RCK-486



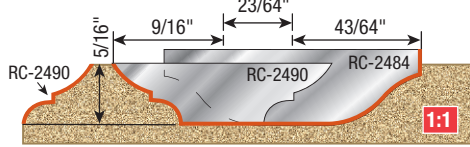
To achieve the above cut, purchase:
#RCK-483 and #RCK-484



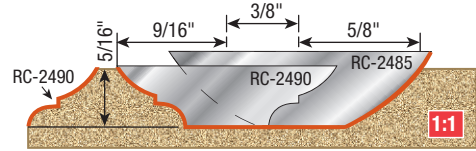
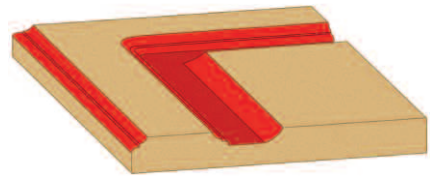
To achieve the above cut, purchase:
#RCK-483 and #RCK-485



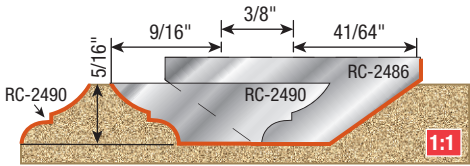
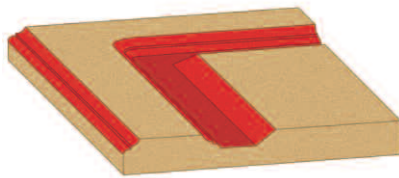
To achieve the above cut, purchase:
#RCK-483 and #RCK-486



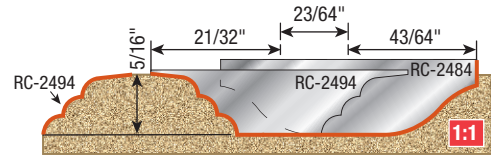
To achieve the above cut, purchase:
#RCK-490 and #RCK-484



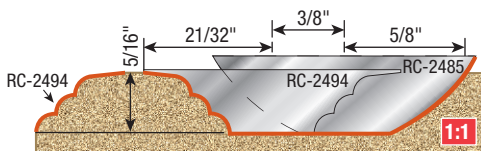
To achieve the above cut, purchase:
#RCK-490 and #RCK-485



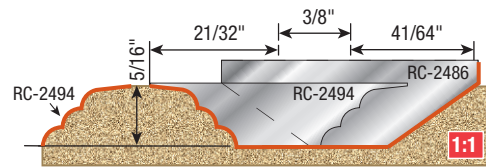
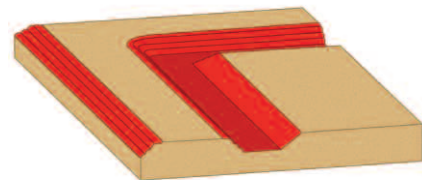
To achieve the above cut, purchase:
#RCK-490 and #RCK-486



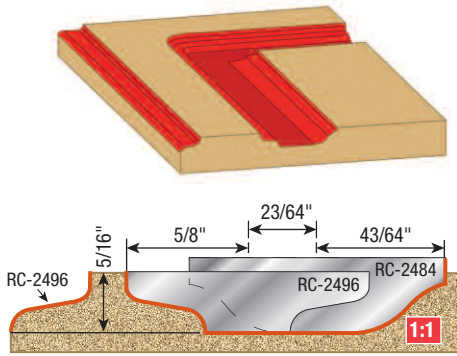
To achieve the above cut, purchase:
#RCK-494 and #RCK-484



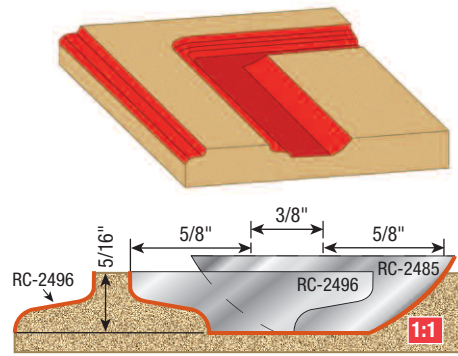
To achieve the above cut, purchase:
#RCK-494 and #RCK-485



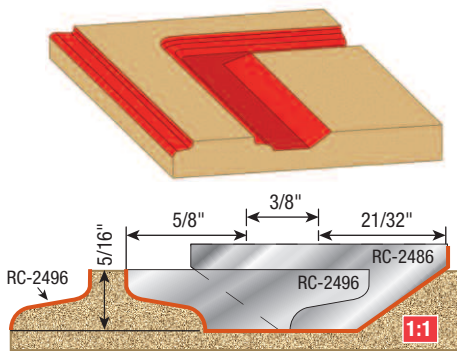
To achieve the above cut, purchase:
#RCK-494 and #RCK-486



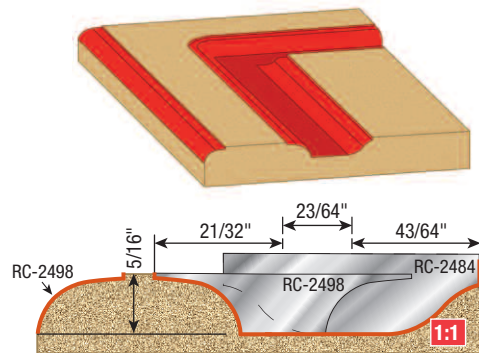
To achieve the above cut, purchase:
#RCK-496 and #RCK-484



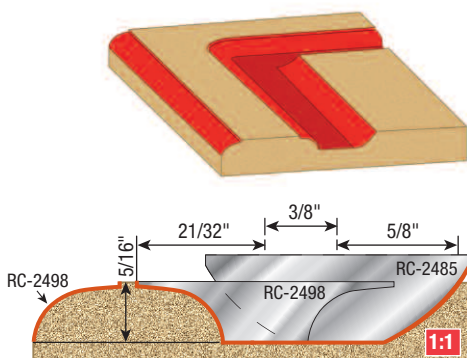
To achieve the above cut, purchase:
#RCK-496 and #RCK-485



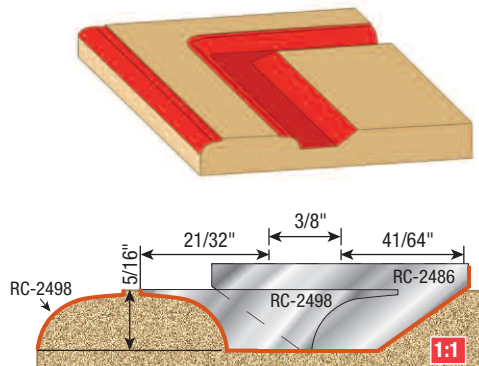
To achieve the above cut, purchase:
#RCK-496 and #RCK-486



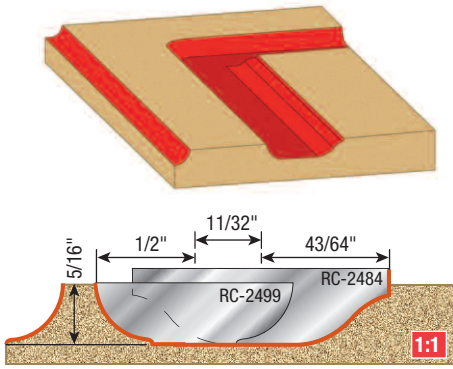
To achieve the above cut, purchase:
#RCK-498 and #RCK-484



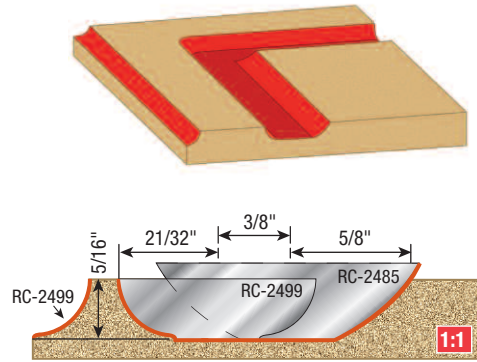
To achieve the above cut, purchase:
#RCK-498 and #RCK-485



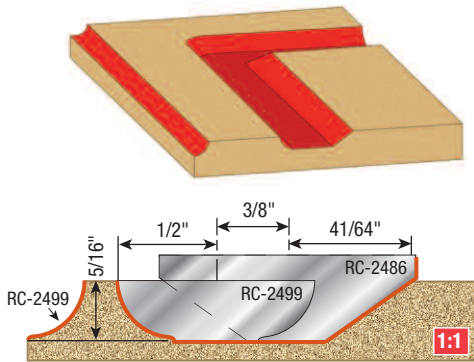
To achieve the above cut, purchase:
#RCK-498 and #RCK-486



To achieve the above cut, purchase:
#RCK-499 and #RCK-484



To achieve the above cut, purchase:
#RCK-499 and #RCK-485



To achieve the above cut, purchase:
#RCK-499 and #RCK-486